

REVISIONS			
REV.	DESCRIPTION	ECN NO.	DATE
01	FIRST RELEASE	N/A	07/28/14

When ordering, please add suffix "T" to the part number for tape & reel packaging (330mm reel).

PAGE 4 & 5 ARE FOR INTERNAL ONLY

TITLE
**TRANSFORMER, 1000BASE-T, DUAL,
 SMD, 48 PIN, EXT. TEMP.**


PART NUMBER	PART DESCRIPTION
824-00498F	RoHS compliant per EU Directive 2011/65/EU

WARNING !
 ALL SHEETS OF THIS DOCUMENT ARE CONTROLLED DOCUMENTATION AND ARE NOT TO BE RELEASED OUTSIDE OF E&E OR ITS SUB-CONTRACTORS WITHOUT AUTHORIZATION.

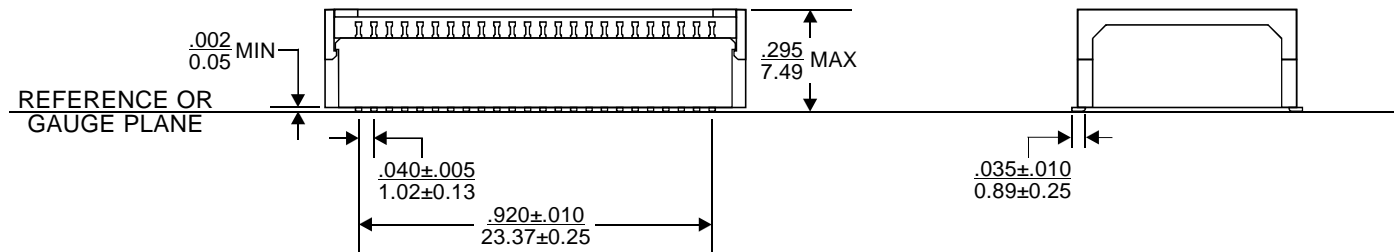
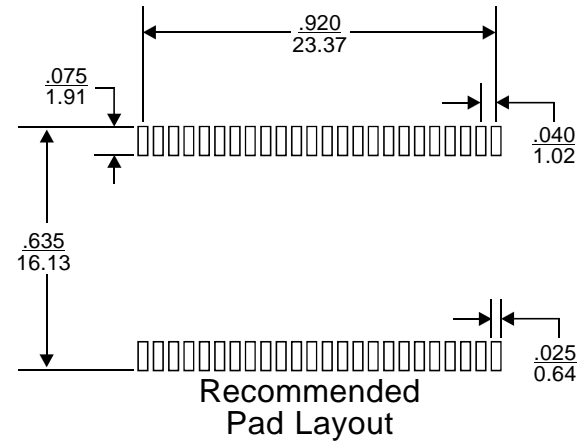
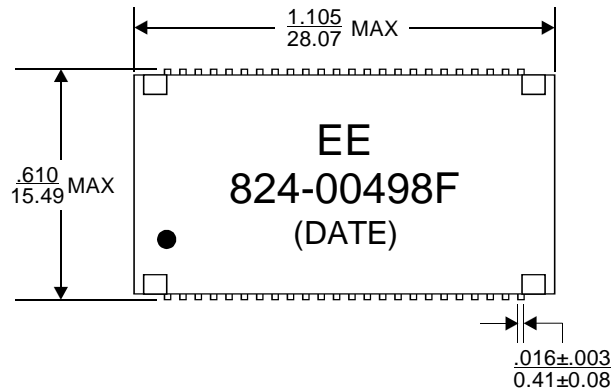
UNLESS OTHERWISE SPECIFIED, DIMENSIONS ARE IN INCH/mm.

 TOLERANCE ARE:
 INCH mm ANGLE
 .XXX ± .005 .XX ± 0.13 X.X ± 0.3
 .XX ± .02 .X ± 0.5 X. ± 1

APPROVALS	DATE
DRAWN BY Y.L. YUNG	07/28/14
PROJ. ENG Y.L. YUNG	07/28/14
APPROVED BY D. YUNG	07/28/14
Q.A. D. LUO	07/28/14

 **E & E Magnetic Products Ltd.**

DRAWING NO./MODEL 824-00498F	REV 01
SCALE DO NOT SCALE	PAGE 1 OF 5



1. Dimensions are specified in $\frac{\text{inches}}{\text{mm}}$ with higher precedence in inches.
2. Unless otherwise specified, all tolerances are $\pm \frac{.010}{0.25}$.
3. Coplanarity: $\frac{.004}{0.10}$ max.
4. "(DATE)" includes at least the manufacturing date code (in YYWW format) plus two character country code.

MECHANICAL OUTLINE



E & E Magnetic Products Ltd.

DRAWING NO./MODEL

824-00498F

REV

01

SCALE

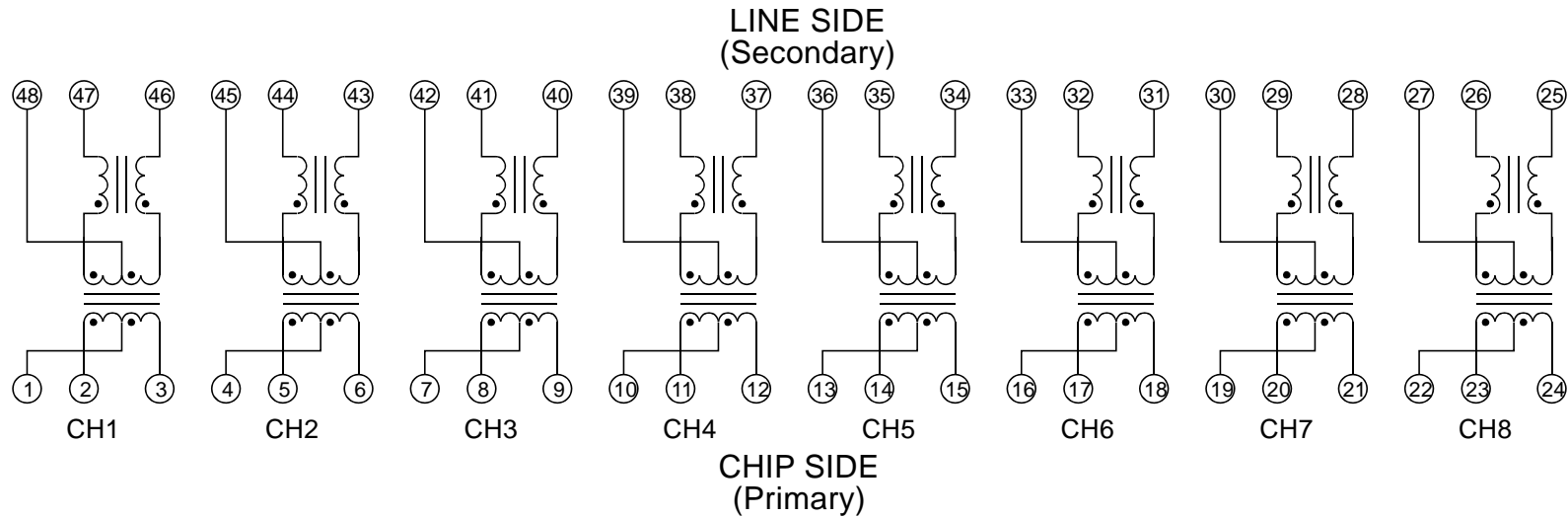
DO NOT SCALE

PAGE

2

OF

5



SCHEMATIC

ELECTRICAL SPECIFICATION @25°C:

PARAMETERS	UNIT	EACH CHANNEL
Turns Ratio (Primary):(Secondary)	-	1CT:1CT ± 2%
Polarity (Primary):(Secondary)	-	Per Schematic
Inductance, Ls(Primary) @100KHz, 0.1Vrms, 8mADC	uH	350 Min
Insertion Loss @1-100MHz	dB	1.4 Max
Return Loss @1-30MHz	dB	16 Min
Return Loss @40MHz	dB	14.4 Min
Return Loss @50MHz	dB	13.1 Min
Return Loss @60-80MHz	dB	12 Typ
CMRR @1-100MHz	dB	30 Min
Crosstalk @30MHz, between channels	dB	43.5 Min
Crosstalk @60MHz, between channels	dB	37.5 Min
Crosstalk @100MHz, between channels	dB	33 Min
HIPOT (Primary):(Secondary)	Vrms	1500 Min

5. Operating temperature: -40°C to +85°C.



E & E Magnetic Products Ltd.

DRAWING NO./MODEL

824-00498F

REV

01

SCALE

DO NOT SCALE

PAGE

3

OF

5