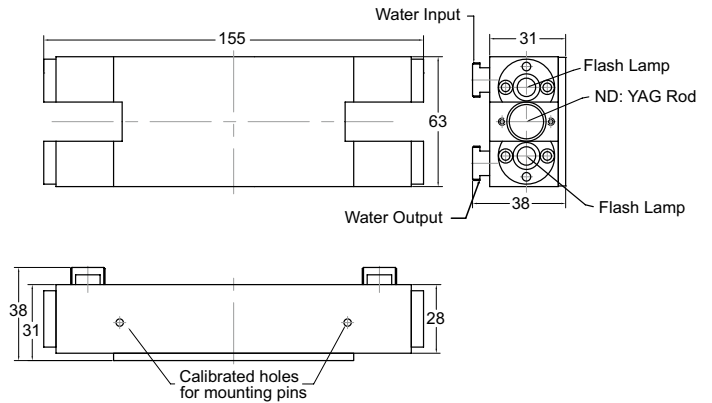
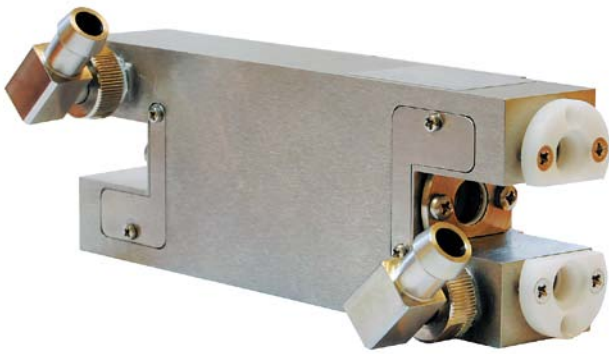


TM3 PUMP CHAMBER



FEATURES

- Two FL type flashlamps for active element pumping
- O-ring type seals for flashlamps and active element
- Close coupling design for high pumping efficiency
- Diffuse high efficiency ceramics reflectors
- Active element – flashlamp sequential cooling scheme
- Sm-glass plate for removal of UV radiation
- Connectors for high voltage wires included
- Connectors for water hoses (9 (ID) × 12(OD)) included
- Typical efficiency (for 6 ns pulses at 1064 nm) approx. 0.7%

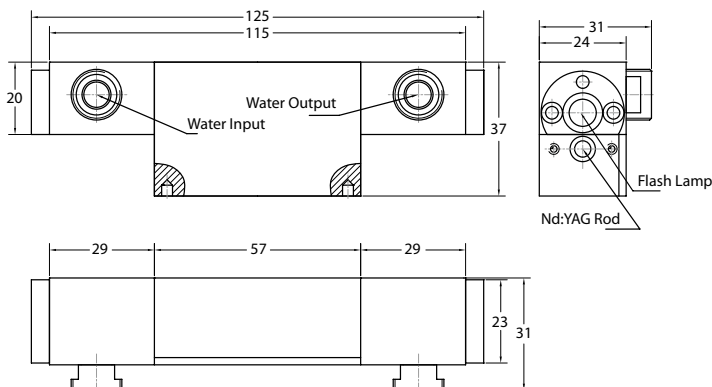
SPECIFICATIONS

Active element dimensions

TM-3-75-6.3	Ø6.3 × 100 mm
TM-3-75-8	Ø8 × 100 mm
TM-3-75-10	Ø10 × 100 mm
TM-3-75-12	Ø12 × 100 mm

Specifications are subject to changes without advance notice.

MA1 PUMP CHAMBER



FEATURES

- One FL type flashlamp for active element pumping
- O-ring type seals for flashlamp and active element
- Close coupling design for high pumping efficiency
- Diffuse high efficiency ceramics reflectors
- Active element – flashlamp sequential cooling scheme
- Sm-glass plate for removal of UV radiation
- Connectors for high voltage wires included
- Connectors for water hoses (9 (ID) × 12(OD)) included

SPECIFICATIONS

Model	MA-1-45	MA-1-58	MA-1-75
Active element dimensions	Ø3 × 65 mm Ø4 × 65 mm	Ø4 × 85 mm Ø5 × 85 mm Ø6 × 85 mm	Ø4 × 100 mm Ø5 × 100 mm Ø6 × 100 mm

Specifications are subject to changes without advance notice.