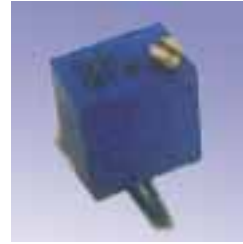


3269 Trimming potentiometer



Characteristics

Electrical Characteristics

(Standard Resistance Range).....	10Ω—2MΩ
(Resistance Tolerance).....	±10%
(Terminal Resistance).....	≤1 %R or 2Ω
(Contact Resistance Variation).....	≤3 %R or 3Ω
(Insulation Resistance).....	R1≥1GΩ
(Withstand Voltage).....	101.3Pa 600V,8.5kPa 250V
(Effective Electrical Travel).....	12±2 (cycles)

Envlonment Characteristics

(Rated Power).....	+ 70 0.25W , + 125 0W
(Temperature Range).....	- 55 — + 125
(Temperature Coefficient).....	±250 , ±100ppm /
(Temperature Variation).....	R≤±2%R , (Uab / Uac)≤±5 %
Vibration).....	390m / s2,4000次 , R≤±5 %R
(Collision).....	10—500HZ,0.75mm,or 98m / s2,6h
.....	R < ±1 %R, (Uab / Uac)≤±2 %
(Climate Category).....	R≤±3 %R , R1≥100MΩ
(Electrical Endurance at 70).....	0.5W,1000h, R≤±10 %R
(Mechanical Endurance).....	200 (cycles), R≤±10 %R
(Steadydamp-heat).....	R < ±3 %R , R1≥100MΩ

Physical Characteristics

(Total Mechanical Travel).....	14±2(cycles)
(Staring Torque).....	30mN·m
(Clutch Torque).....	≤25mN·m

Products : **Cermet Trimming potentiometers, ,3006 trimpot; 3262 trimpot; 3269 trimpot; 3296 trimpot; 3299 trimpot; 3323 trimpot; 3329 trimpot; 3362 trimpot; 3386 trimpot;**

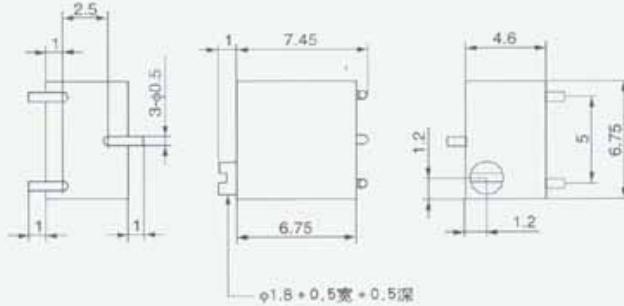
Email: inquiry@elecsound.cn [Http://www.elecsound.cn](http://www.elecsound.cn) Tel: 86 755 83045964

Elecsound Electronics Company Limited

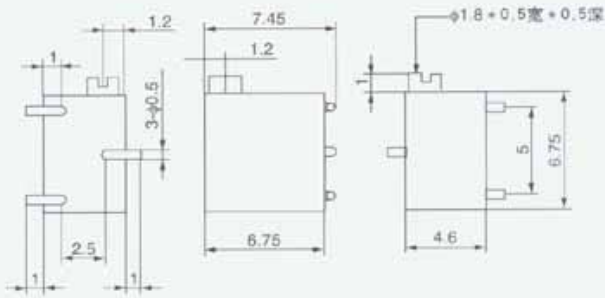
调节方式
Adjust Methods



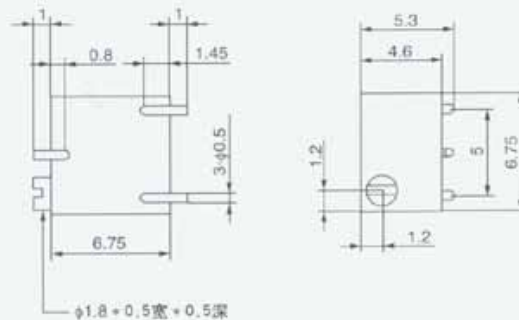
安装方式
Dimensions



W 型



X 型



P 型

订购指南 How To Order

3269-P-102

Model 产品型号
Style 引出方式
Code 阻值代码

注: 可提供特殊阻值。
Special resistances available