

Presslites

Friction Cap Bases

INDICATOR LIGHTS



Type 516

ALTERNATE ACTION

Switch Characteristics

Contact rating: 5 amps resistive at 115 VDC or 28 VDC.
Nominal pushbutton travel: .219 in
Nominal operating force: 24 oz.

Material and Finishes

Pushbutton: high impact resistant plastic per L-P-349.
Pushbutton retention and knurled nut: aluminum, bright anodized.

Keywasher and mounting nut: brass, nickel plated.

Housing: aluminum, anodized.

Terminals and Contacts: coin silver

Terminal Board: molded thermoset plastic

Lamp

T-1 $\frac{3}{4}$ incandescent or T-2 neon with midget flange base. See Lamp Selection Guide. Lamp may be replaced from front of panel by removing pushbutton retention nut. Switches will not operate with lamp removed.

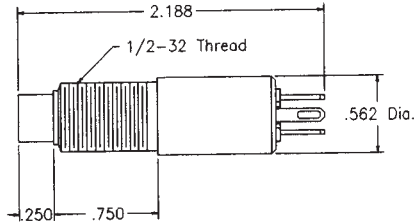
Weight

Approximately .5 oz.

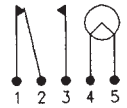
Styles

Where maximum indication of pushbutton illumination is of primary importance, the reflector style retention nut is recommended.

5 Amp Switch Base



Terminal Assignment



Schematic

Single pole, double throw (Form C) snap action contacts.
Contact rating: 5 amps resistive at 115 VAC or 28 VDC.

Type 518

MOMENTARY ACTION

Switch Characteristics

Contact rating: 5 amps resistive at 115 VDC or 28 VDC.
Nominal pushbutton travel: .219 in
Nominal operating force: 24 oz.

Material and Finishes

Pushbutton: high impact resistant plastic per L-P-349.
Pushbutton retention and knurled nut: aluminum, bright anodized.

Keywasher and mounting nut: brass, nickel plated.

Housing: aluminum, anodized.

Terminals and Contacts: coin silver

Terminal Board: molded thermoset plastic

Lamp

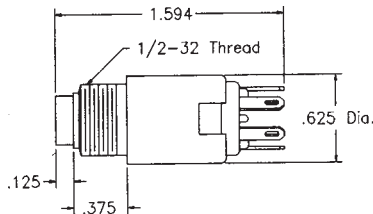
T-1 $\frac{3}{4}$ incandescent or T-2 neon with midget flange base. See Lamp Selection Guide. Lamp may be replaced from front of panel by removing pushbutton retention nut. Switches will not operate with lamp removed.

Weight

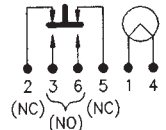
Approximately .5 oz.

- Nominal operating force: 32 oz.
- Nominal pushbutton travel: .094 in.

3 Amp Switch Base



Terminal Assignment



Schematic

Single pole, 2 circuit double break (Form Z). Contact rating: 3 amps resistive at 115 VAC or 30 VDC.
Nominal pushbutton travel: .0125 in. including .031 in. pretravel and .031 in. overtravel.
Mounting hardware: intended for use with styles 7 and 8 (snap-in mounting adaptors).

Type 543

MOMENTARY ACTION

- Nominal operating force: 14 oz. to close normally open contacts.

Type 546

MOMENTARY ACTION

- Contacts: Gold plated for low level switching.
- Nominal operating force: 7 oz. to close normally open contacts.

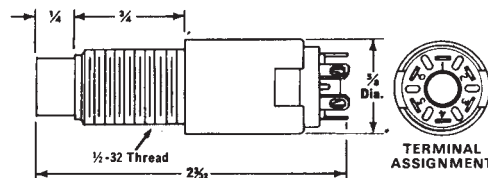
Type 545

MOMENTARY ACTION

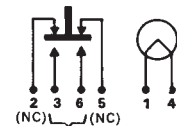
Momentary Action SPDT 3A @ 30VDC or 115VAC

- Contacts: Gold plated for low level switching
- Nominal operating force: 7 oz. to close normally open contacts
- Nominal pushbutton travel: 1/8" including 1/32" pre travel and 1/32" over travel

3 Amp Switch Base



TERMINAL ASSIGNMENT



SCHEMATIC

Single pole, 2 circuit double break (Form Z). Contact rating: 3 amps resistive at 115 VAC or 30 VDC.
Nominal pushbutton travel: .0125 in. including .031 in. pretravel and .031 in. overtravel.

Presslites

Friction Cap Bases

INDICATOR LIGHTS



Type 532



• Provides same pushbutton projection as Presslite switch bases in all styles of mounting hardware.

Material and Finishes

Pushbutton: high impact resistant plastic per L-P-349.
 Pushbutton retention and knurled nut: aluminum, bright anodized.
 Keywasher and mounting nut: brass, nickel plated.
 Housing: aluminum, anodized.
 Terminals and Contacts: coin silver
 Terminal Board: molded thermoset plastic

Lamp

T-1 $\frac{3}{4}$ incandescent or T-2 neon with midget flange base. See Lamp Selection Guide. Lamp may be replaced from front of panel by removing pushbutton retention nut. Switches will not operate with lamp removed.

Weight

Approximately .5 oz.

Type 520

- Nominal operating force: 32 oz.
- Nominal pushbutton travel: .219 in.

Type 521

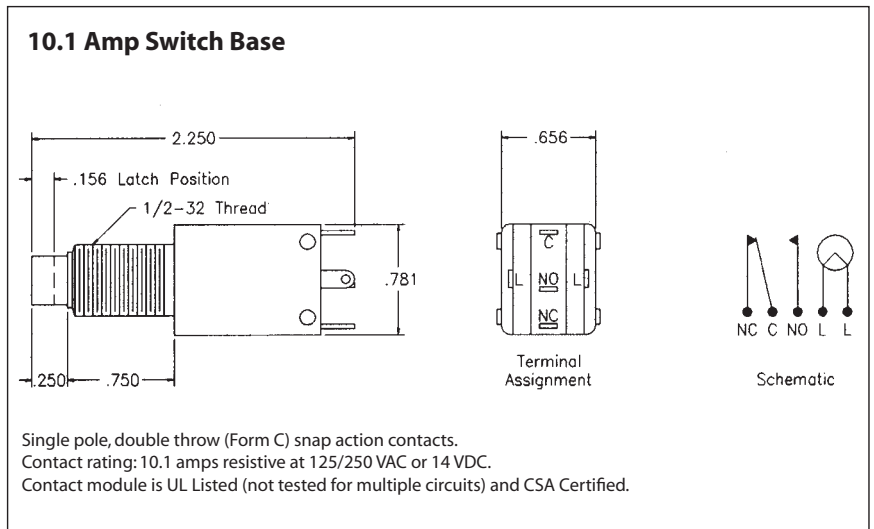
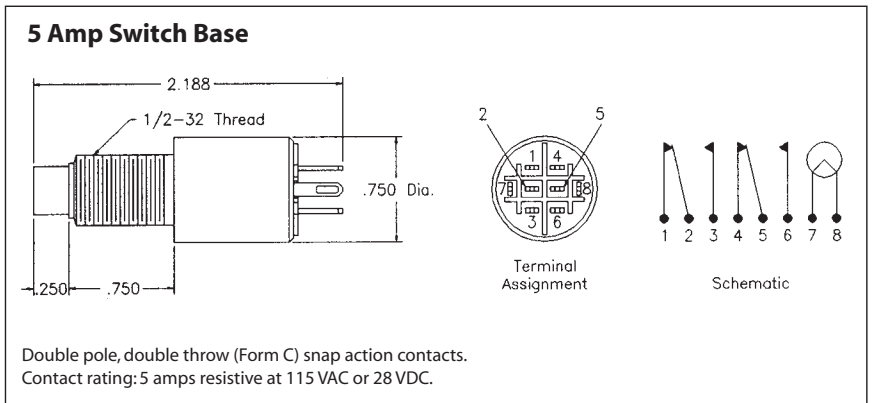
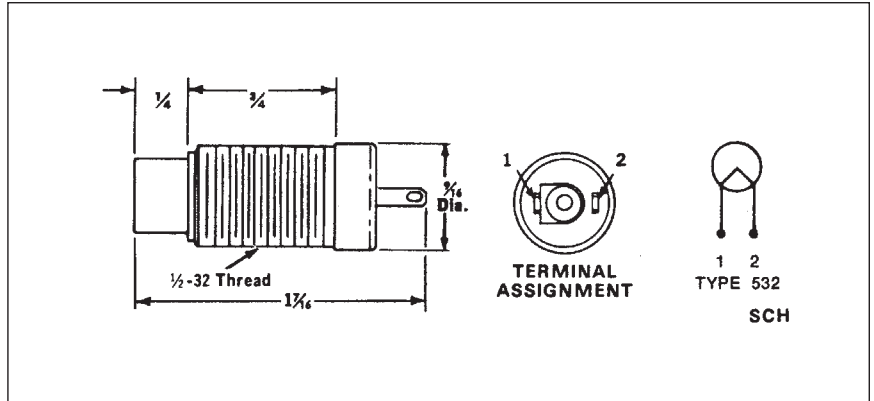
- Nominal operating force: 40 oz.
- Nominal pushbutton travel: .094 in.

Type 5710 ALTERNATE LATCHING ACTION

- Nominal operating force: 12 oz.
- Nominal pushbutton travel: .219 in.
- Latching action: Pushing plunger closes N.O. contacts and latches plunger. Pushing plunger again releases contacts and plunger returns to "out" position. Plunger latch point is .156 in. from "out" position. Swing and latch interlocked to prevent teasing.

Type 5810 MOMENTARY ACTION

- Nominal operating force: 10 oz.
- Nominal pushbutton travel: .094 in.

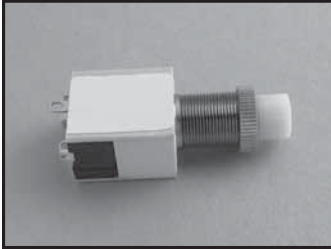


Presslites Friction Cap Bases

INDICATOR LIGHTS



Type 5720 ALTERNATE LATCHING ACTION



Switch Characteristics

- Double pole, double throw contact rating 10.5 amp resistive @ 125/250 VAC or 28 VDC - 5 amp resistive @ 30 VDC
- Nominal operating force: 20 oz.
- Nominal pushbutton travel: .219 in.
- Latching action: Pushing plunger closes N.O. contacts and latches plunger. Pushing plunger again releases contacts and plunger return to "out" position. Plunger latch point is .156 in. from "out" position. Switch and latch interlocked to prevent teasing.

Type 5820

- Nominal operating force: 16 oz.
- Nominal pushbutton travel: .094 in.

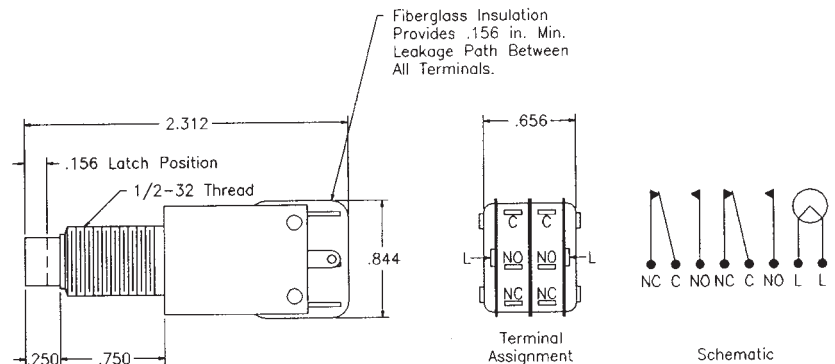
Type 517 ALTERNATE ACTION

- Nominal operating force: 32 oz.
- Nominal pushbutton travel: .219 in.

Type 519 MOMENTARY ACTION

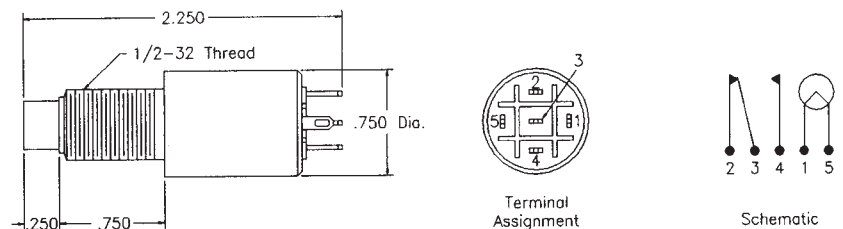
- Nominal operating force: 40 oz.
- Nominal pushbutton travel: .219 in.

10.1 Amp Switch Base



Double pole, double throw (Form C) snap action contacts.
Contact rating: 10.5 amps resistive at 125/250 VAC or 28 VDC, 5 amps resistive at 30 VDC.
Contact module is UL Listed (not tested for multiple circuits) and CSA Certified.

15 Amp Switch Base



Single pole, double throw (Form C) snap action contacts.
Contact rating: 15 amps resistive at 115 VAC or 28 VDC.