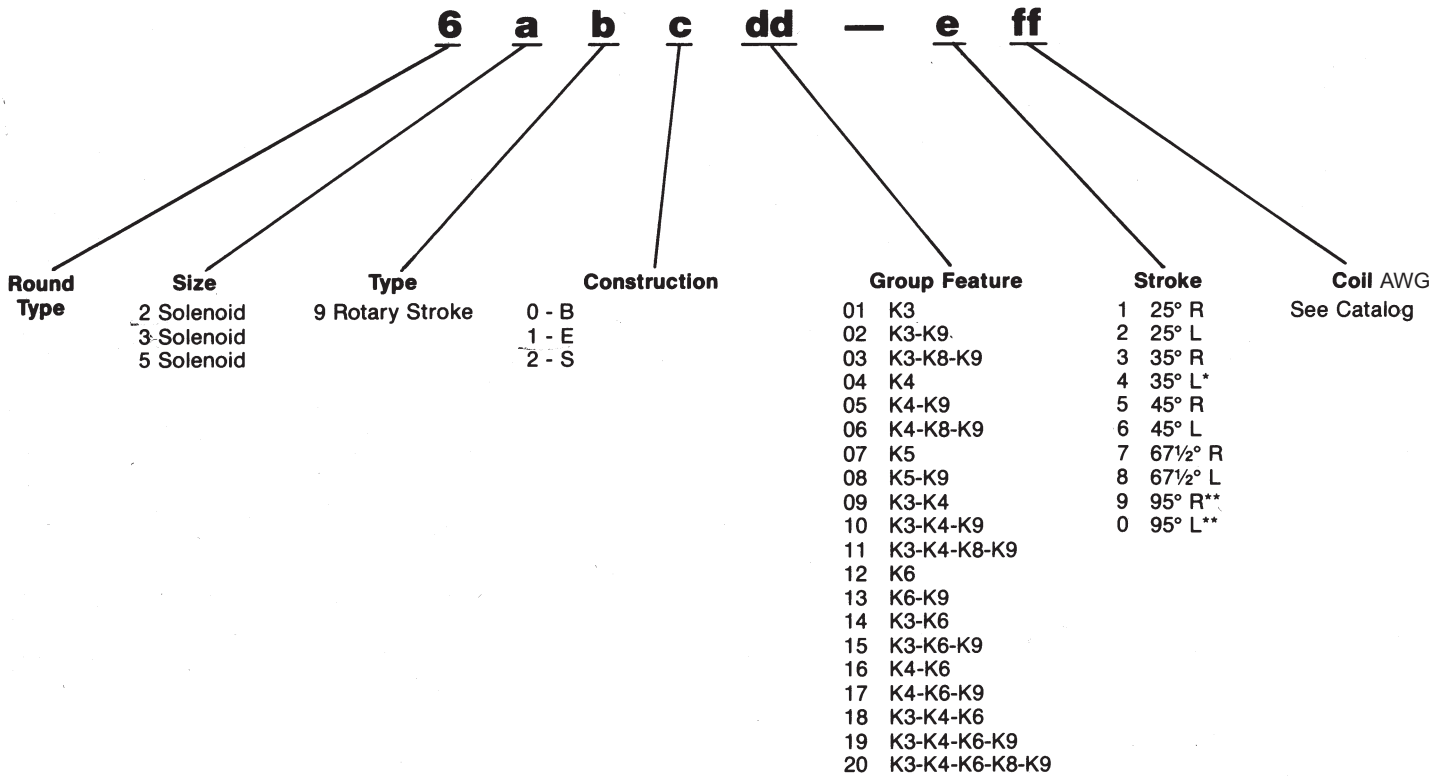


Rotary Solenoids Standard Part Numbers

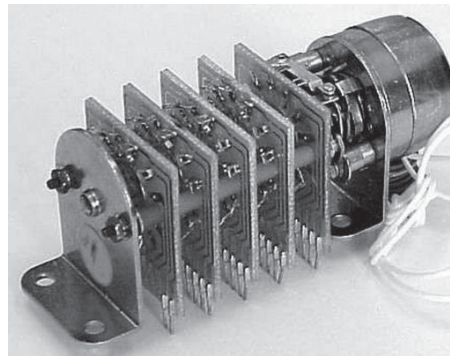


EXAMPLE: Customer wants a unit as follows:
 5S Rotary Solenoid
 67.5° Right Hand Rotation
 K3 Base Shaft
 K8 Dust Cover
 K9 Return Spring
 Ref. Catalog - Have gross torque of 2.2 lb. in. Operate at 96 VDC.
 Electroswitch part number will be 659203-732

Rotary Solenoid Selector Switch

Solenoid Selector units are precisely engineered, combining the quality and capabilities of our rotary switches with the remote control utility of Electroswitch solenoids.

These units are able to perform multiple switching functions in limited space under severe operating and environmental conditions.



Ordering Information

SOLENOID TYPE _____ MARKING _____

NUMBER OF POSITIONS _____ CUSTOMER PN _____ OAK PN _____

DUST COVER YES NO VOLTAGE DC
SHAFT EXTENTION(IF GREATER THAN 1/8") _____ MIN: _____ NOM: _____ MAX: _____

INTERRUPTER WITH HOMING DECK _____ DUTY CYCLE _____ (%TIME ON)
 INTERRUPTER ONLY NO INTERRUPTER _____ (%TIME ON) _____ (%TIME OFF)

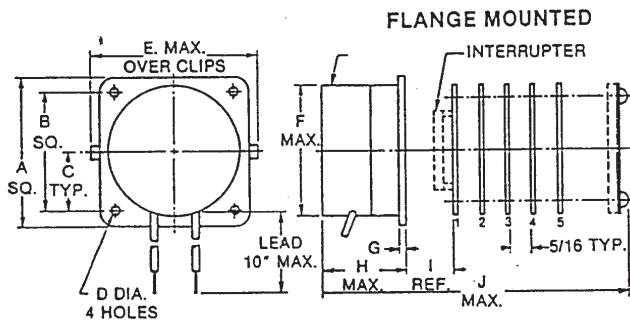
MOUNTING:
 FLANGE FOOT ONLY TEMPERATURE RANGE _____ C TO _____ C
 FOOT WITH PEMNUTS FOOT W/GROMMETS AND INSERTS MIL SPEC (Please state Spec. no. and paragraph.)

SHAFT:
 BI-DIRECTIONAL SINGLE SHAFT
 SHAFT WITH COUPLING

NUMBER OF SECTIONS _____

TYPE _____ CONTACT MATERIAL _____

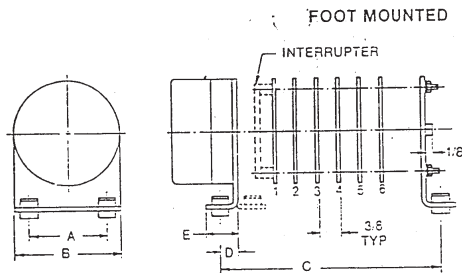
ROTARY SOLENOID SELECTORS



STANDARD J DIMENSION			
NO. OF SECTIONS	2E	3E	5S
1	1 31/32	2 7/16	2 11/16
2	2 9/32	2 13/16	3 3/16
3	2 19/32	3 3/16	3 9/16
4	2 29/32	3 9/16	3 15/16
5		3 15/16	4 5/16
6		4 5/16	4 11/16
7			5 1/16
8			5 7/16
9			5 13/16
10			6 3/16

SIZE	POS.	DIMENSIONS								
		A	B	C	D	E	F	G	H	I
2E	12	1.365	1	1/2	0.128	1 1/4	1 3/16	0.049	25/32	0.562
3E	12	1 9/16	1.25	5/8	0.144	1 5/8	1 3/8	0.064	15/16	0.637
5S	8	2 1/8	1.687	27/32	0.166	2 3/8	1 61/64	0.081	1 3/16	0.649
5S	10	2 1/8	1.687	27/32	0.166	2 3/8	1 61/64	0.081	1 3/16	0.649
5S	12	2 1/8	1.687	27/32	0.166	2 3/8	1 61/64	0.081	1 3/16	0.709
5S	18	2 1/8	1.687	27/32	0.166	2 11/16	1 61/64	0.081	1 3/16	0.709
5S	20	2 1/8	1.687	27/32	0.166	2	1 61/64	0.081	1 3/16	0.771
5S	24	2 1/8	1.687	27/32	0.166	2 1/8	1 61/64	0.081	1 3/16	0.709

J DIMENSION IF OTHER THAN STANDARD



STANDARD C DIMENSION						
NO OF SEC	2E	3B	3E	5B	5E	5S
1		1 7/8	1 7/8	2 3/4	2 3/4	2 3/4
2		2 1/4	2 1/4	3 1/4	3 1/4	3 1/4
3		2 5/8	2 5/8	3 21/32	3 21/32	3 21/32
4		3	3	3 31/32	3 31/32	3 31/32
5		3 3/8	3 3/8	4 3/8	4 3/8	4 3/8
6		3 3/4	3 3/4	4 3/4	4 3/4	4 3/4
7				5 5/32	5 5/32	5 5/32
8				5 15/32	5 15/32	5 15/32
9				5 7/8	5 7/8	5 7/8
10				6 1/4	6 1/4	6 1/4

DIMENSIONS					
SIZE	A	B	C	D	E
2	0.750	1.156	0.25	0.25	29/64
3	0.812	1.344	21/64	21/64	37/64
5	1 3/8	1 7/8	0.328	0.328	19/32
6	1 3/8	2 9/32	0.328	0.328	19/32

C DIMENSION IF OTHER THAN STANDARD: