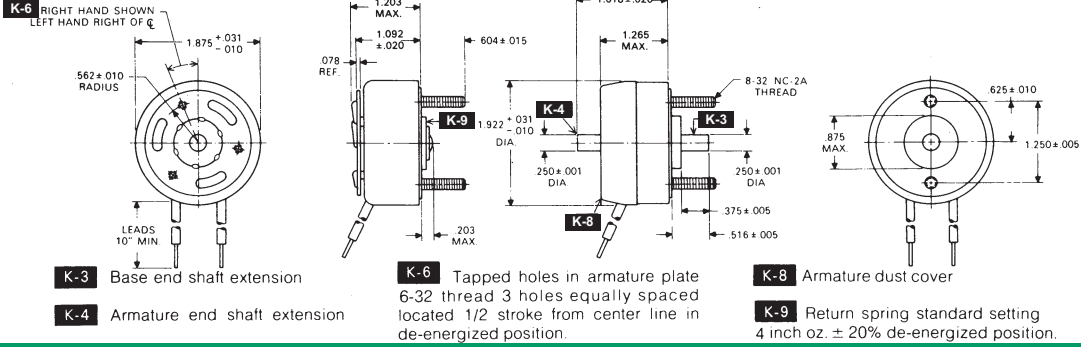


WEIGHT: 11 OZ.



Features

Type 5E

All Values Shown are Based on a 20° C. Ambient Temperature

Duty Cycle % = $\frac{\text{On Time}}{\text{On Time} + \text{Off Time}}$		100%	50%	25%	10%	5%	
On Time/Pulse (Seconds Maximum At Above Duty Cycle.) Can be about 10% longer if solenoid is used infrequently and allowed to cool to ambient after each pulse.		∞	104	38	10.5	3.8	
Watts (Approximate) Solenoid mounted on the equivalent of a 1/8" thick aluminum plate having a surface area 10 times that of the solenoid.		20	45	85	212	415	
Ampere Turns (Approximate)		1015	1440	2030	3210	4526	
Starting Torque (Gross Lb. In.) Axial Stroke, Nominal .042" to .055"	Strokes						
	25°	1.80	3.80	6.60	10.90	11.92	
	35°	.90	2.38	4.09	7.10	8.32	
	45°	.65	1.55	3.08	5.69	6.22	
	67½°	.47	1.10	2.00	3.59	4.42	
	95°	.20	.47	.92	1.72	2.35	
	Others Available. Contact Factory.						
Awg	Resistance	Turns	Voltage DC				
19	.42	150	3.0	4.0	6.0	9	12.5
20	.58	170	3.5	5.0	7.0	11	15.5
21	1.00	228	4.5	6.5	9.0	14	20.0
22	1.68	301	6.0	8.0	11.5	18	25.5
23	2.70	384	7.0	10.0	14.5	23	32.5
24	4.30	486	9.0	12.5	18.0	28	39.5
25	6.66 ± 5%	590	11.5	16.0	23.0	36	51.0
26	10.30	737	14.0	20.0	28.0	45	62.0
27	15.70	900	17.5	25.0	36.0	56	79.0
28	26.60	1190	23.0	32.0	45.0	72	102.0
29	38.00	1380	28.0	40.0	56.0	90	126.0
30	62.10	1768	35.0	50.0	70.0	113	160.0
31	96.10	2166	45.0	64.0	90.0	145	202.0
32	157.00	2816	57.0	80.0	115.0	180	252.0
33	241.00	3432	70.0	100.0	145.0	225	319.0
34	364.00	4108	90.0	128.0	180.0	285	402.0
35	566.00	4920	117.0	166.0	235.0	370	
36	910.00	6340	145.0	210.0	292.0	460	
37	1224.00 ± 10%	6800	183.0	260.0	366.0		
38	2060.00	9000	233.0	330.0	465.0		
39	3145.00	11000	290.0	410.0			
40	5600.00	15550	365.0				

Dielectric Strength: 1,000 VRMS min.