

E2 - SERIES

SPECIFICATIONS AND ORDERING INFORMATION

Lever Action 1.5 AMPS @ 28 VDC

The E2 Series is our lever action switch, originally designed for the electric guitar market. It offers positive 2-5 position switching, a 30° or a 15° index, and solder lug terminals.



SPECIFICATIONS

ELECTRICAL

Current and Voltage Rating: Make and break resistive load 1.5 amps @ 28 VDC; 0.5 amp @ 115 VAC.
Current Carrying Capacity: 9 amps.
Dielectric Strength: 1,000 VAC between current carrying parts and ground.
Contact Resistance: Average initial 3.5 milliohms.
Insulation Resistance: In excess of 750,000 megohms.

MECHANICAL

Materials and Finishes: All parts utilize non-corrosive materials as standard.
Clips and Rotors: Brass with silver plate as standard.
Insulation: Glass epoxy.
Index: Cam and roller with coil spring.
Index Life: 25,000 cycles minimum.
Index Torque: Switches have lowest practical torque consistent with crisp detenting and smooth, reliable operation.
Index Angles: Positive 30°, 15° and spring return.
Index Stops: Fixed stops standard.
Stop Strength: 2.82 Nm minimum.

STANDARD PART NUMBER

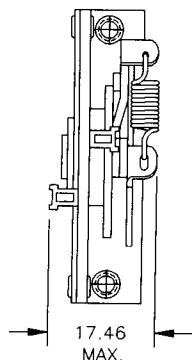
LEVER

SWITCHES - 30° INDEXING - FIXED STOPS - SOLDER LUG TERMINALS

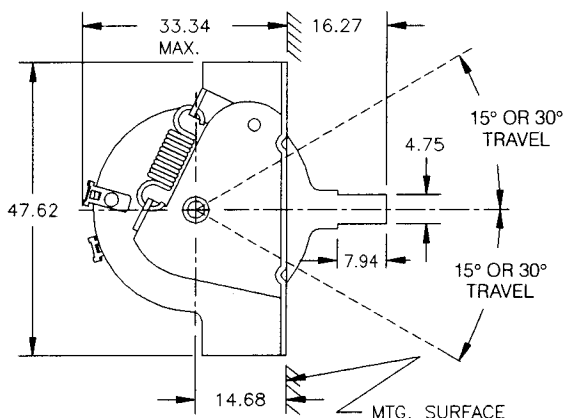
POLES	ACTIVE POSITIONS	POLES/ SECTION	NO. OF SECTIONS	SHORTING	NON-SHORTING	DESCRIPTION	DETAIL
02	03	2	1	E2G0203S-1	E2G0203N-1 POSITIVE INDEX ONE SIDE TO CENTER, SPRING RETURN OPPOSITE SIDE TO CENTER.	E
02	05	2	1	E2G0205S-15	----- 2 POSITIVE INDEX POSITIONS BOTH SIDES OF CENTER.	E
02	03	2	1	E2G0203S	E2G0203N POSITIVE INDEX BOTH SIDES OF CENTER.	E
02	03	2	1	E2G0203S-2	E2G0203N-2 SPRING RETURN BOTH SIDES TO CENTER.	E
04	02	4	1	E2G0402S-3	E2G0402N-3 SPRING RETURN TO CENTER.	E
04	02	4	1	E2G0402S	E2G0402N POSITIVE INDEX.	E

DIMENSIONS

STANDARD CONSTRUCTION



DETAIL E



DETAIL F

