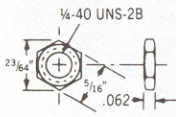
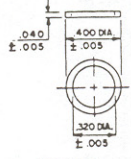
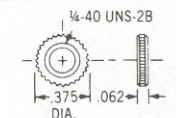
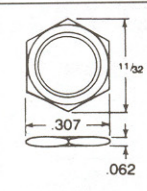
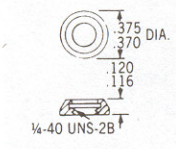
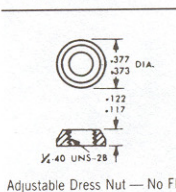
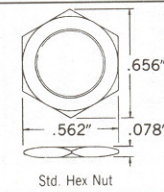
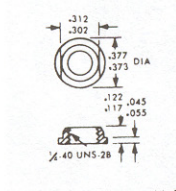
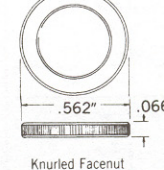
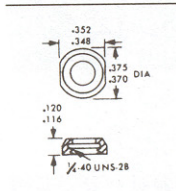
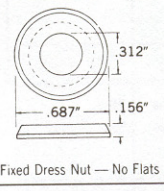
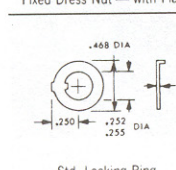
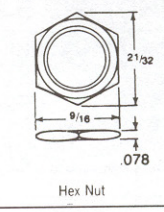
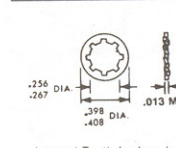
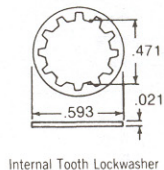


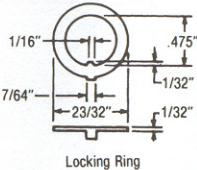
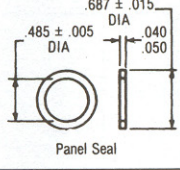
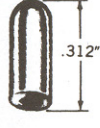
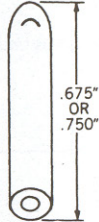
ACCESSORIES (Bold Face Type indicates items normally in Distributor Stock)

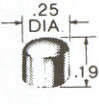
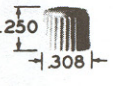
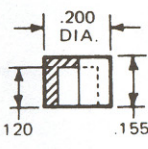
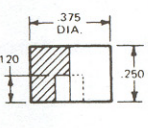
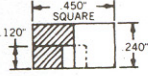
Part Number	Description	Finish or Color	Part Number	Description	Finish or Color		
For Switches with 1/4-40 UNS — 2A Bushings			For Switches with 1/4-40 UNS — 2A Bushings — Cont'd				
 <p>Std. Hex Nut</p>	W-NU-11 W-NU-11A W-NU-11B	Standard Facenut and Locknut Standard Facenut and Locknut Standard Facenut and Locknut	Bright Nickel Satin Chrome Black Cupric Oxide	 <p>Panel Seal</p>	W-WA-44	Seal for Waterproof Switches 1/4-40 Bushing	Gray Neoprene
 <p>Knurled Nut</p>	W-NU-31A	Round Knurled Facenut w/Controlled Knurl Pattern — Fits Gulmrite = 12 Socket	Bright Nickel	 <p>Hex Nut</p>	14-454-13	Hex Locknut	Dull Nickel
 <p>Fixed Dress Nut — No Flats</p>	W-NU-14A W-NU-14B	Fixed Dress Nut — No Flats Fixed Dress Nut — No Flats	Satin Chrome Bright Chrome	For Switches with "15/32"			
 <p>Adjustable Dress Nut — No Flats</p>	W-NU-17A W-NU-17B W-NU-17D W-NU-17E	Adjustable Dress Nut — No Flats Adjustable Dress Nut — No Flats Adjustable Dress Nut — No Flats Adjustable Dress Nut — No Flats	Satin Chrome Bright Nickel Black Anodized Bright Chrome				 <p>Std. Hex Nut</p>
 <p>Adjustable Dress Nut — with Flats</p>	W-NU-18A W-NU-18B W-NU-18D W-NU-18E	Adjustable Dress Nut — With Flats Adjustable Dress Nut — With Flats Adjustable Dress Nut — With Flats Adjustable Dress Nut — With Flats	Satin Chrome Bright Nickel Black Anodized Bright Chrome	 <p>Knurled Facenut</p>	W-NU-13 or 15-124F1	Round Knurled Facenut	Bright Nickel
 <p>Fixed Dress Nut — with Flats</p>	W-NU-19A W-NU-19B	Fixed Dress Nut — With Flats Fixed Dress Nut — With Flats	Satin Chrome Bright Nickel	 <p>Fixed Dress Nut — No Flats</p>	W-NU-20B W-NU-20C or 15-994-2	Fixed Dress Nut — No Flats Fixed Dress Nut — No Flats	Black Anodized Bright Nickel
 <p>Std. Locking Ring</p>	W-RI-12 W-RI-12A W-RI-16	Std. Locking Ring w/Keyway & .468" O.D. Std. Locking Ring w/Keyway & .468" O.D. Locking Ring w/D Flat & .468" O.D.	Bright Nickel Black Cupric Oxide Bright Nickel	 <p>Hex Nut</p>	W-NU-10A or 15-966-6	Hex Locknut	Semi-Lustre Nickel
 <p>Internal Tooth Lockwasher</p>	W-WA-16 W-WA-16A W-WA-45	Standard Internal Tooth Lockwasher Standard Internal Tooth Lockwasher Mill Lock Washer	Cadmium Plate Black Cupric Oxide Cadmium Plate/ Chromate Dip	 <p>Internal Tooth Lockwasher</p>	W-WA-20 or 16-886	Standard Internal Tooth Lockwasher	Zinc Chromate

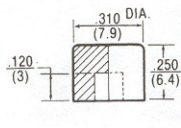




Contact Electroswitch for availability

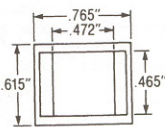
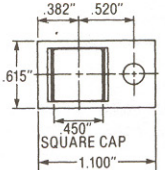
ACCESSORIES (Continued)

(Bold Face Type indicates items normally in Distributor Stock)

	Part Number	Description	Finish or Color
For TOGGLE Switches			
	W-R1-10 OR 29-761	Std. Locking Ring w/keyway and .656" O.D.	Cadmium Plate
	W-WA-48	Seal for Waterproof Switches (15/32 Bushing)	Neoprine
	W-CAP-10A W-CAP-10B W-CAP-10C W-CAP-10D W-CAP-10E W-CAP-10F W-CAP-10G W-CAP-10H W-CAP-10I W-CAP-10J	Slip on Cap for .410" Length Levers Slip on Cap for .410" Length Levers Slip on Cap for .410" Length Levers Slip on Cap for .410" Length Levers Slip on Cap for .410" Length Levers Slip on Cap for .410" Length Levers Slip on Cap for .410" Length Levers Slip on Cap for .410" Length Levers Slip on Cap for .410" Length Levers Slip on Cap for .410" Length Levers	White Blue Red Black Brown Orange Yellow Green Violet Gray
	W-CAP-11A W-CAP-11B W-CAP-11C W-CAP-14D	.675" Long Slip on Cap for "T" Type Levers .675" Long Slip on Cap for "T" Type Levers .675" Long Slip on Cap for "T" Type Levers .750" Long Slip on Cap for "T" Type Levers	White Red Black Black

	Part Number	Description	Finish or Color
For PUSHBUTTON Switches			
	SW53AA1 SW53AA2	.250" Push-On Cap for SA1 Series .250" Push-On Cap for SA1 Series	Red Black
	P281B P281R	.308" Push-On Cap for B8000 Series .308" Push-On Cap for B8000 Series	Black Red
	W-KN-12 W-KN-12A W-KN-12B W-KN-16 W-KN-16A W-KN-16B	.200" Push-On Cap for PB Series .200" Push-On Cap for PB Series .200" Push-On Cap for PB Series .200" Push-On Cap for PS Series .200" Push-On Cap for PS Series .200" Push-On Cap for PS Series	Black White Red Black White Red
	W-KN-14 W-KN-14A W-KN-14B W-KN-17 W-KN-17A W-KN-17B	.375" Push-On Cap for PB Series .375" Push-On Cap for PB Series .375" Push-On Cap for PB Series .375" Push-On Cap for PS Series .375" Push-On Cap for PS Series .375" Push-On Cap for PS Series	Black White Red Black White Red
	W-KN-18 W-KN-18A W-KN-18B	.450" Square Cap for PS Series .450" Square Cap for PS Series .450" Square Cap for PS Series	Black White Red

	Part Number	Description	Finish or Color
For PUSHBUTTON Switches			
	W-KN-31 W-KN-31A W-KN-31B W-KN-32 W-KN-32A W-KN-32B	.310" Push-On Cap for PB Series .310" Push-On Cap for PB Series .310" Push-On Cap for PB Series .310" Push-On Cap for PS Series .310" Push-On Cap for PS Series .310" Push-On Cap for PS Series	Black White Black Black White Black
	W-KN-52 W-KN-52A W-KN-52B	.780" Square Cap for PS Series .780" Square Cap for PS Series .780" Square Cap for PS Series	Black White Red
	W-BZ-21	.90" Square Bezel for PS Series Used with W-KN-52 Caps above	Black
	W-NU-29A	Decorative Bezel for .310" dia. Caps	Bright Chrome Plate over Brass
	W-NU-30A	Decorative Bezel for .375" dia. Caps	Bright Chrome Plate over Brass

	Part Number	Description	Finish or Color
For ROCKER and PUSHBUTTON SWITCHES			
	W-BZ-12 W-BZ-12A W-BZ-12B	Bezel for J50, J60 & PS Series Bezel for J50, J60 & PS Series Bezel for J50, J60 & PS Series	Black White Red
	W-BZ-15	LED Bezel for J50, J60 & PS Series	Black

Contact Electroswitch for availability

