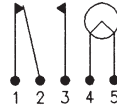


Terminal Assignment



Schematic

Switch Characteristics

Contact rating:
5 amps resistive at 115 VDC or 28 VDC.
Nominal pushbutton travel:
.219 in
Nominal operating force:
24 oz.

Material and Finishes

Pushbutton: high impact resistant plastic per L-P-349.
Pushbutton retention and knurled nut: aluminum, bright anodized.
Keywasher and mounting nut: brass, nickel plated.
Housing: aluminum, anodized.
Terminals and Contacts: coin silver
Terminal Board: molded thermo-set plastic

Lamp

T-1 1/4 incandescent or T-2 neon with midget flange base. See Lamp Selection Guide. Lamp may be replaced from front of panel by removing pushbutton retention nut. Switches will not operate with lamp removed.

Weight

Approximately .5 oz.

Styles

Where maximum indication of pushbutton illumination is of primary importance, the reflector style retention nut is recommended.

516 Type Alternate Action 5 Amp S.P.D.T. Form C



• Provides same pushbutton projection as Presslite switch bases in all styles of mounting hardware.

Material and Finishes

Pushbutton: high impact resistant plastic per L-P-349.
Pushbutton retention and knurled nut: aluminum, bright anodized.
Keywasher and mounting nut: brass, nickel plated.
Housing: aluminum, anodized.
Terminals and Contacts: coin silver
Terminal Board: molded thermo-set plastic

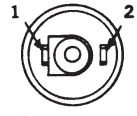
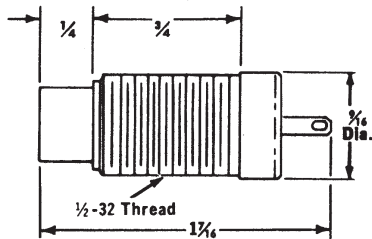
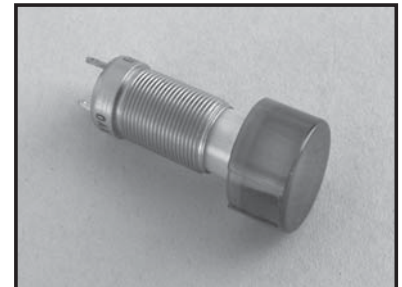
Lamp

T-1 1/4 incandescent or T-2 neon with midget flange base. See Lamp Selection Guide. Lamp may be replaced from front of panel by removing pushbutton retention nut. Switches will not operate with lamp removed.

Weight

Approximately .5 oz.

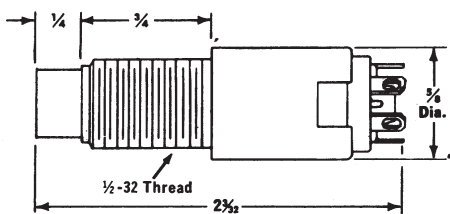
532 Type General Purpose Indicator Base



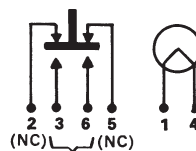
TERMINAL ASSIGNMENT



TYPE 532
SCHEMATICS



TERMINAL ASSIGNMENT



SCHEMATIC

Momentary Action SPDT 3A @ 30VDC or 115VAC

• Contacts: Gold plated for low level switching

• Nominal operating force: 7 oz. to close normally open contacts

• Nominal pushbutton travel: 1/8" including 1/32" pre travel and 1/32" over travel

545 Type Momentary Action S.P.D.T. 3 Amp



518 Type Momentary Action S.P.D.T. 5 Amp

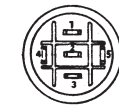
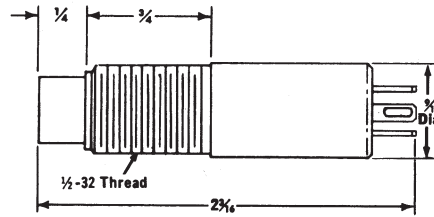


Switch Characteristics
Contact rating:
5 amps resistive at 115 VDC ir28 VDC.
Nominal pushbutton travel:
.219 in
Nominal operating force:
24 oz.

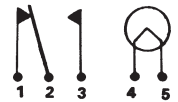
Material and Finishes
Pushbutton: high impact resistant plastic per L-P-349.
Pushbutton retention and knurled nut: aluminum, bright anodized.
Keywasher and mounting nut: brass, nickel plated.
Housing: aluminum, anodized.
Terminals and Contacts: coin silver
Terminal Board: molded thermoset plastic

Lamp
T-1 3/4 incandescent or T-2 neon with midget flange base. See Lamp Selection Guide. Lamp may be replaced from front of panel by removing pushbutton retention nut. Switches will not operate with lamp removed.

Weight
Approximately .5 oz.
• Nominal operating force: 32 oz.
• Nominal pushbutton travel: .094 in.



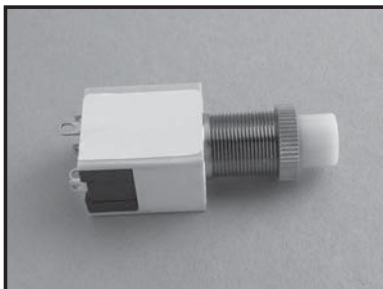
TERMINAL ASSIGNMENT



TYPES 516 & 518

SCHEMATICS

5720 Type Alternate Action 10.1 Amp D.P.D.T. Form C

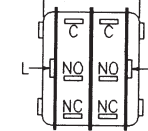
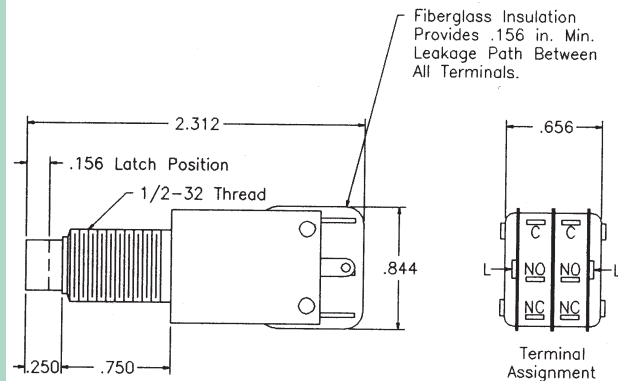


Switch Characteristics
• Double pole, double throw contact rating - 10.5 amp resistive @ 125/250 VAC or 28 VDC - 5 amp resistive @ 30 VDC

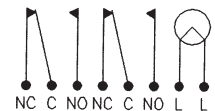
• Nominal operating force: 20 oz.

• Nominal pushbutton travel: .219 in.

• Latching action: Pushing plunger closes N.O. contacts and latches plunger. Pushing plunger again releases contacts and plunger return to "out" position. Plunger latch point is .156 in. from "out" position. Switch and latch interlocked to prevent teasing.



Terminal Assignment



Schematic

616 Type Low Profile Switch Snap Action 5 Amp

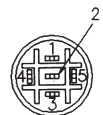
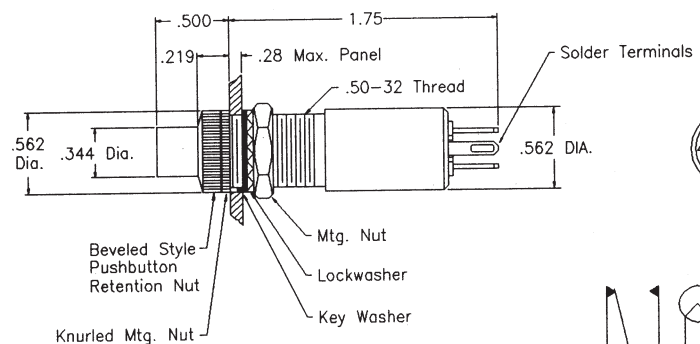


Switch Characteristics
Contact rating:
5 amps resistive at 115 VDC ir28 VDC.
Nominal pushbutton travel:
.219 in
Nominal operating force:
24 oz.

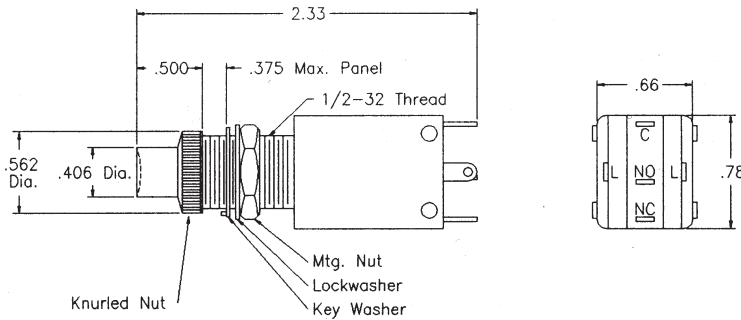
Material and Finishes
Pushbutton: high impact resistant plastic per L-P-349.
Pushbutton retention and knurled nut: aluminum, bright anodized.
Keywasher and mounting nut: brass, nickel plated.
Housing: aluminum, anodized.
Terminals and Contacts: coin silver
Terminal Board: molded thermoset plastic

Lamp
T-1 3/4 incandescent or T-2 neon with midget flange base. See Lamp Selection Guide. Lamp may be replaced from front of panel by removing pushbutton retention nut. Switches will not operate with lamp removed.

Weight
Approximately .5 oz.
Styles
Where maximum indication of pushbutton illumination is of primary importance, the reflector style retention nut is recommended.



SCHEMATICS



Switch Characteristics

Contact rating:
10.1 amps resistive at 125/250 VAC
or 14 VDC
5 amps resistive at 30 VDC.
Nominal pushbutton travel:
Alternate action switches, .219 in
Nominal operating force:
Single pole switches, 12 oz.
Double pole switches, 20 oz.

Material and Finishes

Pushbuttons: high impact resistant plastic per L-P-349.
Knurled nut: aluminum, bright anodized.
Keywasher and mounting nut: brass, nickel plated.
Lockwasher: stainless steel.
Housing molded thermoplastic.
Contacts: coin silver

Lamp

T-1 3/4 incandescent with midget flange base or Al H neon. See Lamp Selection Guide. Lamp may be replaced from front of panel by removing pushbutton.

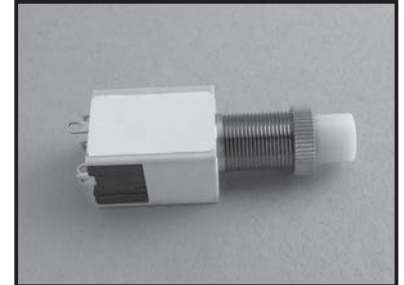
Weight

Approximately .6 oz.

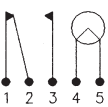
Solder Terminals

Terminals accept AMP FASTON No. 60729-1 receptacles or equivalent.

**6710/6720 Type
Low Profile Switch
10.1 Amp
Snap Action**



Schematics



Switch "ON"



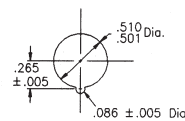
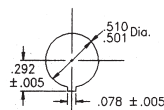
Switch "OFF"



Latch Position

Alternate action switches may be ordered with pushbuttons marked as shown to give positive indication of switch position.

Panel Cutouts



Switch Characteristics

Contact rating: .5 amp resistive at 30 VDC. .1 amp resistive at 115 VAC.
Nominal pushbutton travel: .1 in.
Nominal operating force: 4 oz.

Material and Finishes

Pushbuttons: high impact plastic per L-P-349.
Housing: black thermoplastic.
Mounting clip: stainless steel.
Lamp terminals: beryllium copper, tin plated.
Switch terminals and contacts: brass, gold plated.

Lamp

T-1 3/4 incandescent, with midget flange base. See Lamp Selection Guide. Lamp remains stationary when pushbutton is depressed.

Mounting

Assemblies press fit into .687 in. ± .005 in. dia. holes from front of panel. Mounting clips accommodate panels from .063 in. to .188 in.

Weight

Approximately 25 oz.

Solder Terminals

Terminals accept AMP FASTON No. 60415-i receptacles or equivalent.

**591 Type
Snap in Switch
Momentary Action
5 Amp**

