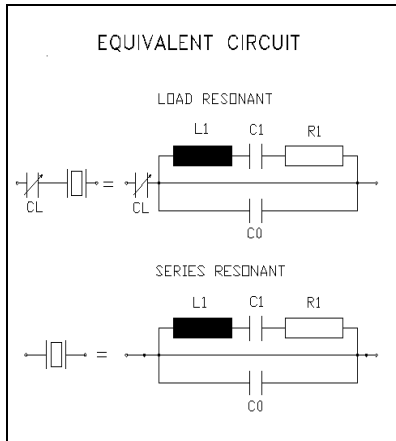
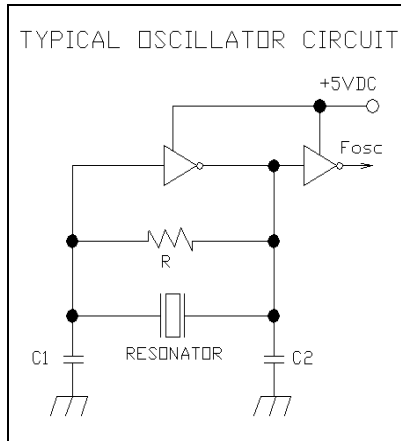




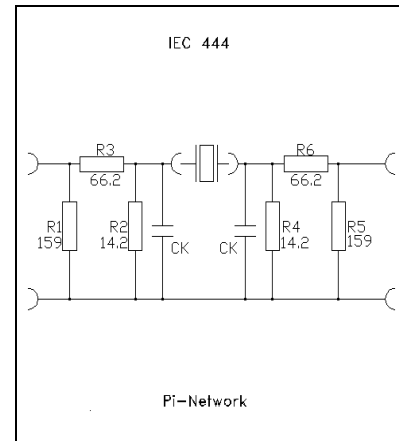
**INFICON EDC Inc.** *Quality Quartz Crystals and Oscillators*



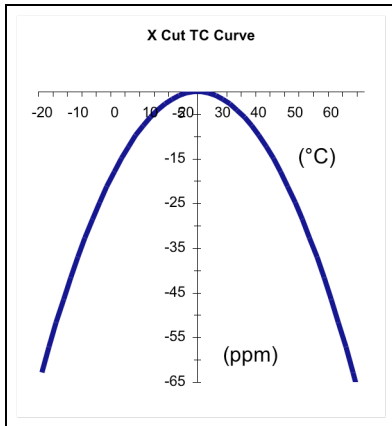
**Figure 1**



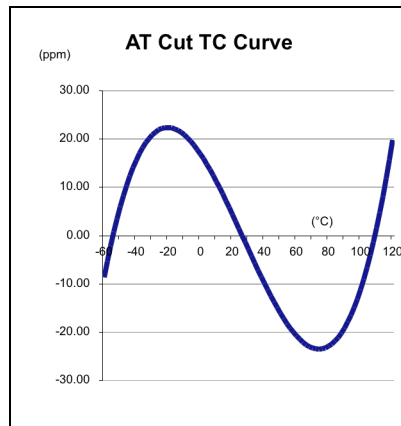
**Figure 2**



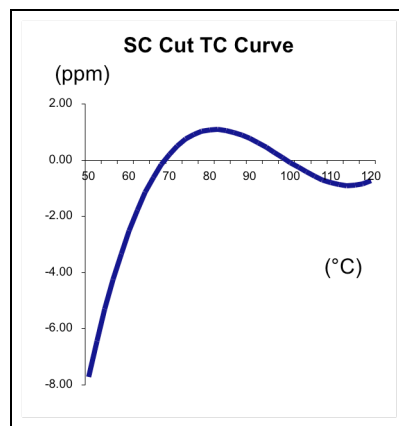
**Figure 3**



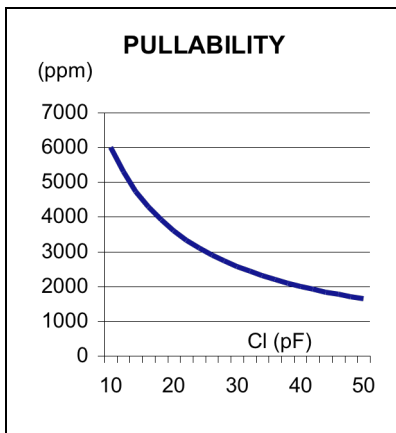
**Figure 4**



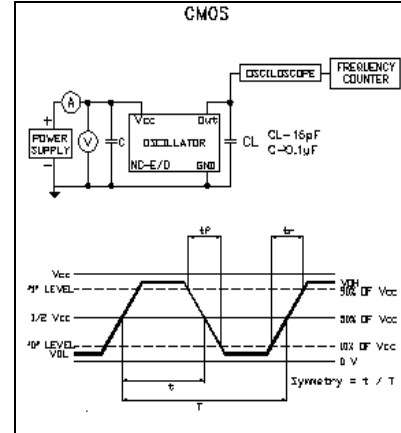
**Figure 5**



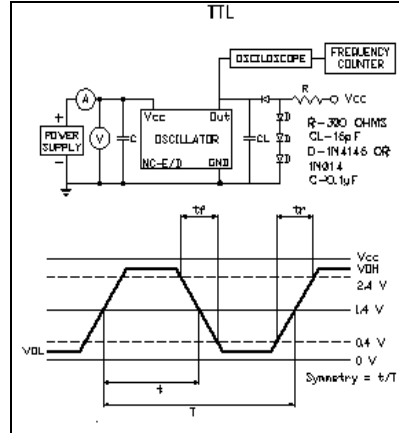
**Figure 6**



**Figure 7**



**Figure 8**



**Figure 9**

**INFICON EDC Inc. • (800) EDC-XTAL • www.inficonedc.com**

This drawing & information are the property of INFICON EDC Inc. and shall not be reproduced, copied or used in any manner without the sole permission of INFICON EDC Inc. All specification subject to change. Please contact factory for current specifications (Rev. 05/08)