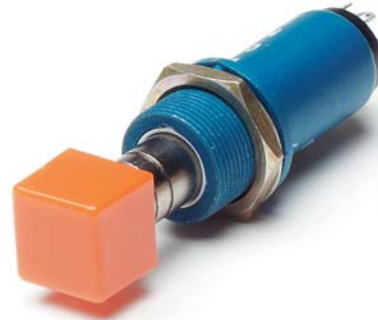


# Series 2100



## Sub Panel Mount Pushbutton Switch

### Illuminated and Non-Illuminated Models



- \* Momentary or Alternate Action switching actions
- \* SPST - DPDT switch circuitry
- \* Easy lamp replacement from front
- \* T 1-3/4 midget flange-based lamp or LED enhanced by replaceable lens covers available in standard EMC colors
- \* Environmentally sealed models available (specify modification code "W")
- \* Multi-station interlocking assemblies (see Series 400/500)
- \* Snap-in front panel mounting (see Mounting Adapters)

In the Series 2100, Electro-Mech offers a slimline version of its standard illuminated pushbutton switch. A unique product design features silver slide bar action reducing contact bounce to an absolute minimum, thereby giving longer life and greater reliability.

**electro-mech**

[www.electromechcomp.com](http://www.electromechcomp.com)

# Series 2100

## Sub Panel Mount Pushbutton Switch

### Illuminated and Non-Illuminated Models



#### Specifications:

Ratings:	30 volts DC or 125 volts AC; 2.0A resistive, 0.5A inductive
Weight:	0.8 oz. (23 g) (approx.)
Operating Pressure:	2 lbs. ± 1 lb. (908g ± 454g)
Plunger Travel:	0.187 nominal (4.7mm)
Actuations:	100,000 minimum
Contacts:	Silver plated (gold plating optional)
Terminals:	Standard EMC solder lug. Accepts two 20 AWG wires. PC pin terminals also available.
Lens:	Accommodates any standard EMC lens. See Single Lamp Lenses.
Lamp or LED:	Accommodates one T 1-3/4 (5mm) midget flange base lamp or LED. Lamp circuit is independent.

#### Modification Code Options (partial list):

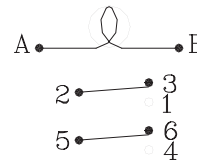
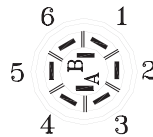
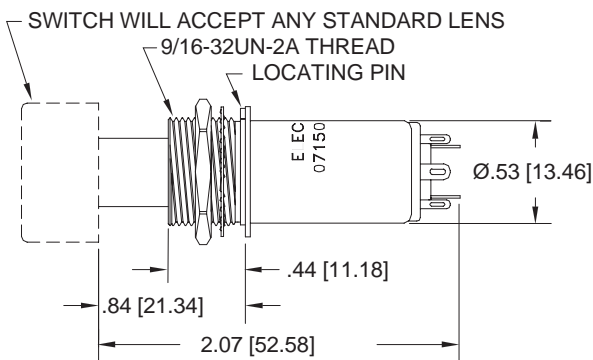
Code	P/N w/ Code	Description
AF	2150AF	9/16"-32 round slotted nut
BR	BR2128	1/2"-32 threaded neck
BA	BA2229	Black Anodized switch case
F1	2132PDF1	Special length threaded plunger
F3	2332PDF3	Special length plunger
GH	GH2150	1/2" grooved neck with c-clip for mounting in 400/500 assys
GP	2132GP	Gold Plated contacts
PC	2350PC	Printed Circuit board pins
PD	2132PD	modified plunger to match (Clare) Pendar switch / lens
PH	PH2128	Plastic Housing switch case
W	W2250	Water resistant seal (IP64)

#### Part Number Table:

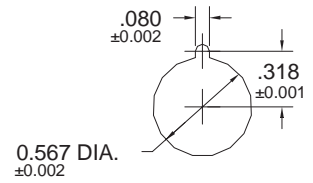
Action	— SPST —		— 2PST —			1PDT	2PDT	Notes:
	1N.O.	1N.C.	2N.O.	2N.C.	1N.C.			
Momentary	2128	2129	2130	2131	2132	2149	2150	Artificial click in momentary travel.
Snap Feel Momntry	2428	2429	2430	2431	2432	2449	2450	
Push-On/Push-Off	2228	2229	2230	2231	2232	2249	2250	
Push-On/Remain-In/ Push-Off	2328	2329	2330	2331	2332	2349	2350	Button is physically depressed in down position.
Terminals Used:	1-2	2-3	1-2, 4-5	2-3, 5-6	1-2, 5-6	1-2-3	1-2-3, 4-5-6	See schematic below for terminal location.

For non-illuminated version, specify the digit "1" in the first position (e.g. 1150).

#### Series 2100 (not to scale)



**SCHEMATIC**



**RECOMMENDED MOUNTING HOLE**



Electro-Mech Components, Inc. • (626) 442-7180 • (888) 442-7180 • Fax: (626) 350-8070  
 1826 Floradale Avenue • South El Monte, CA 91733-3689 USA  
 Email: info@electromechcomp.com • Web: www.electromechcomp.com

Specifications subject to change without notice.  
 Trademarks are the property of their respective companies.  
 EMC-2100 8/2006