



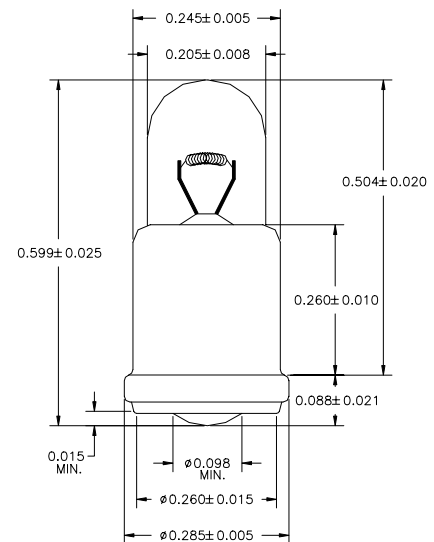
Electro-Mech Components offers four methods to illuminate its switches and lenses:

- 1) T 1-3/4 midget flange base incandescent lamps: see the Incandescent Lamps table below.
- 2) T 1-3/4 midget flange base LED's with built in resistor: see LED Ordering Information below.
- 3) custom LED solutions where the LED (single color or multi color) is built into the switch/lens assembly. Please call the factory for specifications and drawings of existing designs.
- (4) T 1-3/4 midget flange base neon lamp with built-in 18K resistor: p/n D5-18.

1) Incandescent Lamps

T 1-3/4 Midget Flange Base

Part Number	Design Volts	Design Amps	Ave. MSCd	Filament Shape	Life (hours)
D783	5.0	.06	.05	C-2R	100,000
D428	5.0	.18	.35	C-2R	3,000
D332	6.0	.20	.10	C-2F	50,000
D328	6.0	.20	.34@5V	C-2R	1,000
D380	6.3	.04	.03	C-2V	50,000
D350	6.3	.15	.45	C-2R	3,000
D381	6.3	.20	.40	C-2F	20,000
D349	6.3	.20	.55	C-2R	5,000
D394	12.0	.04	.12	C-2F	10,000
D6038	12.0	.06	.15	C-2F	16,000
D382	14.0	.08	.30	C-2F	50,000
D330	14.0	.08	.50	C-2F	1,500
D385	28.0	.04	.20	C-2F	25,000
D387	28.0	.04	.30	C-2F	7,000
D327	28.0	.04	.34	C-2F	4,000



2) Specifications for T 1-3/4 (5mm) midget flange based LED's:

MF200 C - XXXX - VVH

MF200 = physical size designator
(MF200=T 1-3/4 midget flange base size)

C = cathode (optional; anode standard)

XXXX = LED color and brightness specification
(call factory for full specifications)

VV= voltage (built in resistor)
(5,12,15,24,28 VDC)

3) Custom / Built-In LED illumination: single color and bi-color LED's can be built into the switch as a non-replaceable light source. We have built several custom configurations for a variety of applications in different voltages. Please call the factory specifications and design capabilities.

