

SW44832

SPST Circuitry

Edgelit Potentiometer+Switch

Compact Combination Switch with Snap Dome Switch and PC Pins



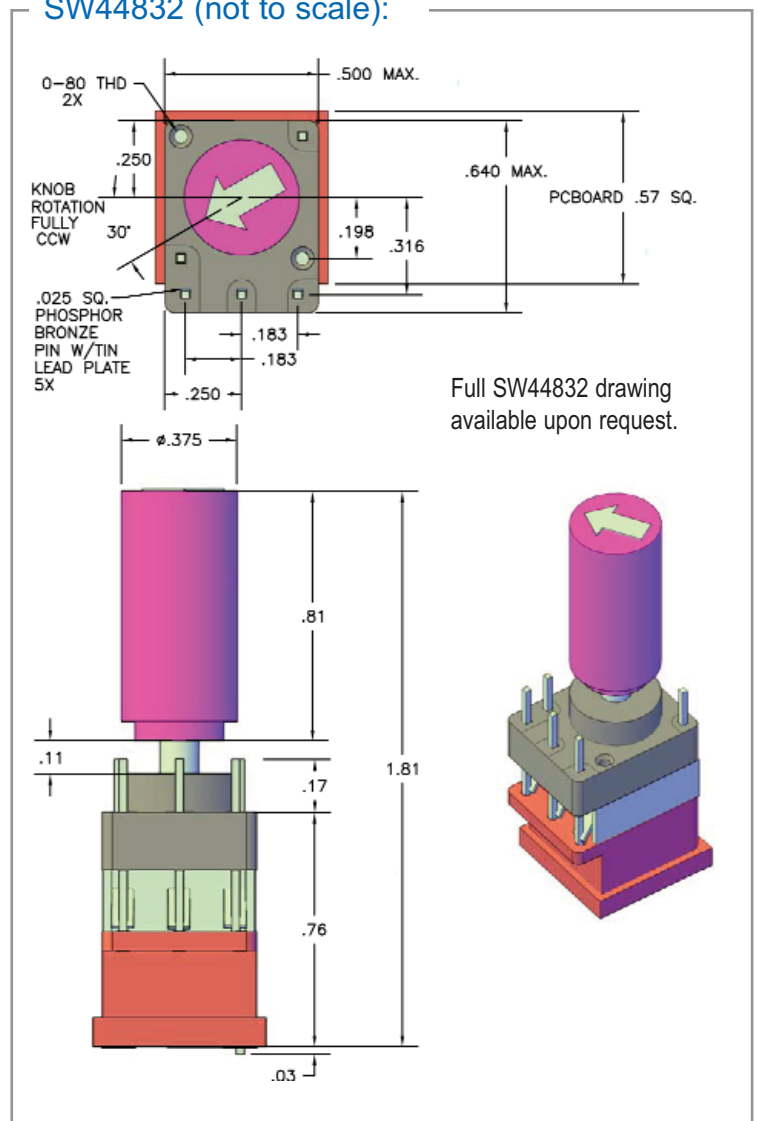
ELECTRO-MECH
COMPONENTS



- ♦ Compact size <1.25" behind panel depth
- ♦ Edgelit knob (optional) for edgelit panel
- ♦ Momentary snap-click feel with SPST circuit
- ♦ Rotary potentiometer + pushbutton switch

Electro-Mech has introduced its SW44832 potentiometer+switch assembly with both rotary and push-on switch functionality for maximum operational control. The SPST device offers a rotary potentiometer with 10K-ohm resistance, an edgelit knob, and snap-dome switch circuit for long life and reliability. Assembly features front facing PC pins for easy plug in assembly, and measures less than 1.25" behind panel depth.

SW44832 (not to scale):



Specifications:

Ratings:	0.10A at 30 volts DC
Operating Pressure:	42 oz. ± 7 oz.
Weight:	0.5 oz. (14 g) (approx.)
Switch Action:	Momentary w/ Snap-Click
Actuations:	250,000 min. at rated load.
Contacts:	Silver plated (Gold Plating also available).
Terminals:	Switch circuit pins (2) and Potentiometer circuit pins (3) are all front facing pins.
Illumination:	Designed to include edgelit knob for installation into edgelit panel for Audio Control Panel signal switch.

electro-mech

www.electromechcomp.com

info@electromechcomp.com

1826 Floradale Avenue • South El Monte, CA 91733-3689 USA * (626) 442-7180 * (888) 442-7180 * Fax (626) 350-8070