



Miniature Snap Action Switch SW44095

Features

- ◆ < 1.50" behind panel depth
- ◆ SPST, NO, momentary w/click
- ◆ 5/8" diameter mounting hole
- ◆ built-in red 5vdc LED

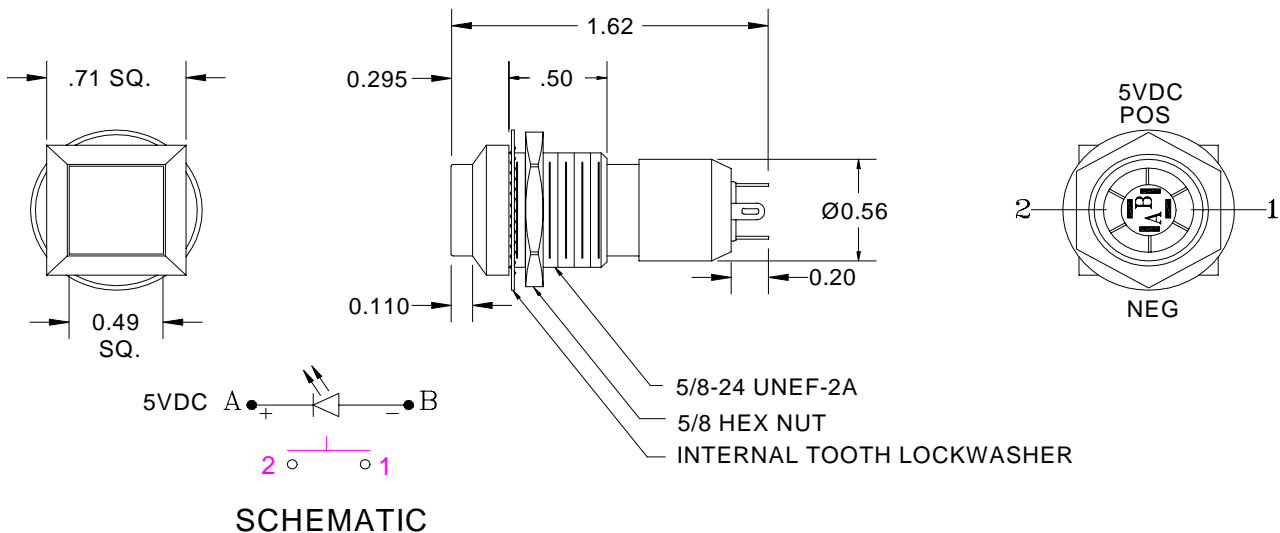
Electro-Mech introduces the new miniature SW44095 Snap Action pushbutton switch. The tactile feel illuminated switch features an electrical snap action, offering increased reliability in a wide variety of applications. Designed with a built-in red LED rated at 5vdc and a 0.50" square lens, the unit's packaging features a unitized housing for access to small area panels.



Specifications:

Ratings:	30vdc or 115vac, 2a resistive, 0.5a inductive
Life (at rated load):	100,000 cycles minimum at rated load
Weight:	3 grams (approx.)
Operating Pressure:	16 oz. ± 4 oz.
Plunger Travel:	0.050" (nom.)
Switch Action:	snap feel momentary
Hardware Supplied:	hex nut (5/8"-24) and lockwasher
Terminals:	solder lug terminals
Pushbutton Lens:	1/2" square, clear translucent top (L611F)
Lamp/LED:	built-in red LED, 5vdc
Ordering info:	order as drawing SW44095

Specifications (not to scale) (Drawing SW44095):



Electro-Mech Components, Inc. ♦ 888/442-7180 ♦ 626/442-7180 ♦ Fax 626/350-8070
 1826 Floradale Avenue ♦ South El Monte, CA 91733-3689 USA ♦ Email Info@electromechcomp.com
 web: www.electromechcomp.com