

SW44994

SPDT-DPDT Circuitry

Push-Pull Potentiometer+Switch

Combination Pot+Switch with Push-On / Pull-Off Switch Mechanism



ELECTRO-MECH
COMPONENTS



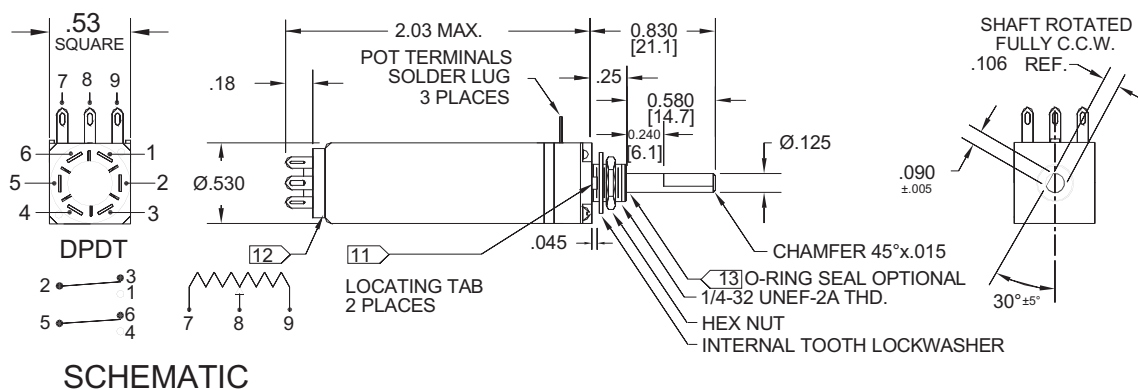
- ◆ Push-On / Pull-Off switching action
- ◆ Edgelit knob (optional) for edgelit panel
- ◆ Electro-mechanical slide bar switch design
- ◆ Rotary potentiometer + pushbutton switch
- ◆ Circuitry SPDT or DPDT

Electro-Mech has introduced its SW44994 pot. + switch assembly with both rotary and push-on / pull-off switch functionality for maximum operational control. The SPDT-DPDT device offers a rotary potentiometer with 10K-ohm resistance, a D-flat shaft, and push/pull mechanism. Assembly includes solder lug terminals (PC pins are also available) and requires 2.03 behind panel depth. Edgelit knob is sold separately.

Specifications:

Ratings:	1.0A Res. at 30 volts DC
Operating Pressure:	Push on: 52 oz. \pm 4 oz. Pull off: 36 oz. \pm 4 oz.
Weight:	0.50 oz. (14 g) (approx.)
Switch Action:	Push-On / Pull-Off
Actuations:	50,000 min. at rated load.
Contacts:	Silver plated (Gold Plating also available).
Terminals:	Solder lug terminals, switch and pot.
Illumination:	Designed to include edgelit knob for installation into edgelit panel for Audio Control Panel signal switch.

SW44994 (not to scale):



Full SW44994 drawing available upon request.
Edgelit knob is sold separately.

electro-mech

www.electromechcomp.com

info@electromechcomp.com

1826 Floradale Avenue • South El Monte, CA 91733-3689 USA * (626) 442-7180 * (888) 442-7180 * Fax (626) 350-8070