



# Series LG and LGSL

## Pushbutton Switch Accessory Safety Lens Cover



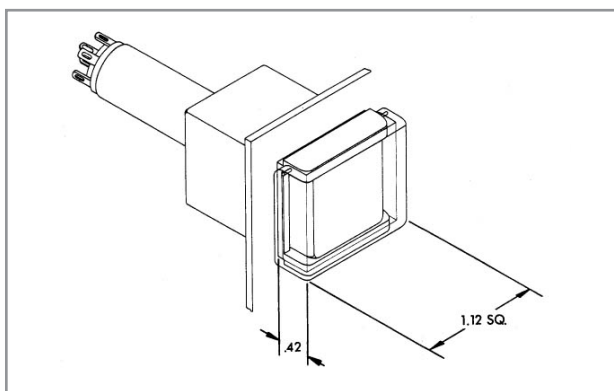
- ◆ Safety lens cover protects against accidental activation.
- ◆ Mar resistant
- ◆ Clear GE Lexan™ “see thru” design
- ◆ With or Without Spring Loaded Return

### Available on the following Electro-Mech Products

- ◆ **Series 60:** single lamp/LED, SPST-2PDT, momentary or alternate action
- ◆ **Series 600-800:** dual or quad lamp/LED, SPST-6PDT, momentary or alternate action
- ◆ **Series 644-2100:** dual or quad lamp/LED, SPST-4PDT, momentary or alternate action

### How to Order:

- ◆ Specify “LG” or “LGSL” (spring loaded) after the adapter part number:  
e.g. 67LGCS-350, 674LGSL-2350



P/N 67LGCS-230,L63R-FG engr STOP (white fill)

**electro-mech**

[www.electromechcomp.com](http://www.electromechcomp.com)

[info@electromechcomp.com](mailto:info@electromechcomp.com)

1826 Floradale Ave. ◆ South El Monte, CA 91733-3689 USA ◆ (626) 442-7180 ◆ (888) 442-7180 ◆ Fax (626) 350-8070