

# Series 73

## Front Panel Mount, SPST-2PDT Momentary Pushbutton Switch

Illuminated or Non-Illuminated, Rectangular Plastic Housing



**ELECTRO-MECH**  
COMPONENTS



P/N 73HM-330,L67R

- \* Front panel mount with backup or clip springs
- \* Momentary switching only
- \* Large, legible displays
- \* Accommodates 3/4" x 1-1/2" rectangular lens
- \* 9 ounces operating pressure

Series 73 switches feature convenient, 1-1/2" wide x 3/4" high illuminated pushbuttons for all types of fast read and emergency switching applications. Easy snap-in ("CS") or hardmount ("HM") mounting options are available. All plastic unitized housing provides insulation. Switching circuitry is available from SPST to DPDT plus the lamp circuit.

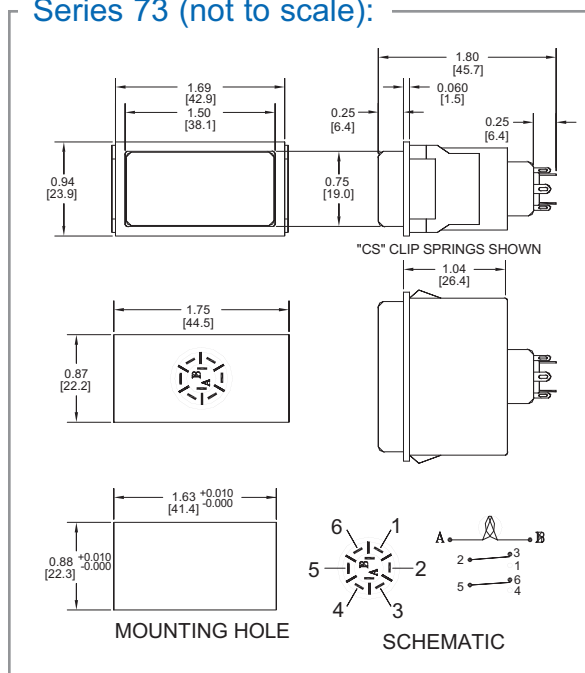
### Mounting Specifications

Mounting hole size of 1.625 (+0.010/-0.000) x 0.875 (+0.010/-0.000). Standard mounting clip spring ("CS") fits panel thicknesses up to 0.125". For panel thicknesses 0.125"-0.250", specify "CSZ" (e.g. 73CSZ-349).

### Filters and Part Number Options

Standard lenses and filter colors are white(W), red(R), blue(B), green(G), yellow(Y), and amber(A). See Single Lamp Lenses. Available in both solid colored lens cap (p/n L67c) and removeable clear cap option lens assembly (p/n L57c).

### Series 73 (not to scale):



### Specifications:

Ratings:	30 volts DC or 125 volts AC; 2.0A resistive, 0.5A inductive
Weight:	0.8 oz. (22g) (approx.)
Operating Pressure:	9 oz.+ 4 oz. (255g ± 113g)
Plunger Travel:	0.100 approx. (2.5mm)
Actuations:	100,000 minimum @ 2.0A 500,000 minimum @ 0.5A
Contacts:	Silver plated (gold plating optional)
Terminals:	Standard EMC solder lug. Accepts two 20 AWG wires. PC pin terminals also available.
Lens:	Accommodates 3/4"x1-1/2" lens, p/n L67 or L57, any EMC color.
Lamp or LED:	Accommodates one T 1-3/4 (5mm) midget flange base lamp or LED. Lamp circuit is independent.

### Alternate Action Switching Options:

If front panel mounting, matching alternate action switches are desired, 73- mounting adapter with Series 2200 or 2700 metal case switches may be specified.

### Printed Circuit Board Terminals:

Applications requiring direct mounting to a PC board may be specified with modification code "PC" for PC pins (custom EMC pin-out). Ordering example: 73-128PC.

**Matching Indicators:** Specify p/n 73-210.

### Part Number Table:

	SPST		2PST				
	1N.O.	1N.C.	2N.O.	2N.C.	1N.C.	1PDT	2PDT
<u>Illuminated</u>							
Momentary	73-328	73-329	73-330	73-331	73-332	73-349	73-350
<u>Non-Illuminated</u>							
Momentary	73-428	73-429	73-430	73-431	73-432	73-449	73-450

73 11/2014

**electro-mech**



www.electromechcomp.com

info@electromechcomp.com

1826 Floradale Avenue • South El Monte, CA 91733-3689 USA \* (626) 442-7180 \* (888) 442-7180 \* Fax (626) 350-8070