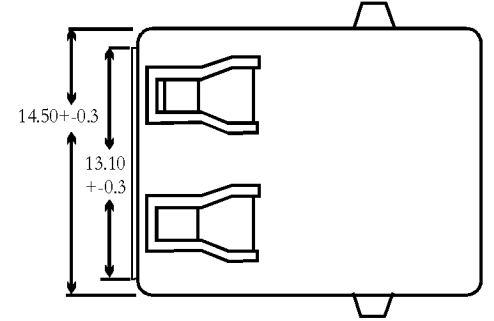
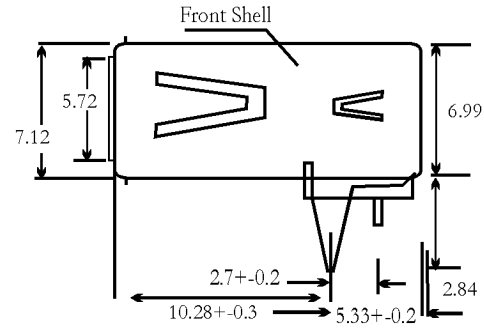
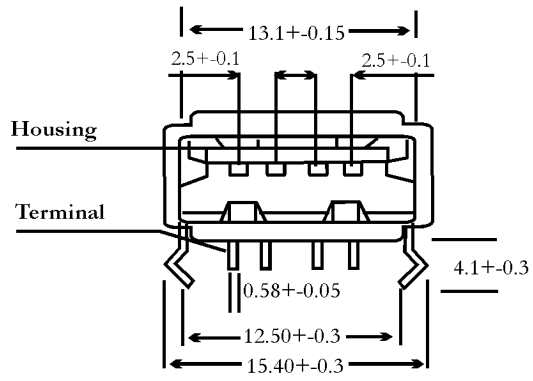


		Revisions		
Rev	Description	Date	Approved	

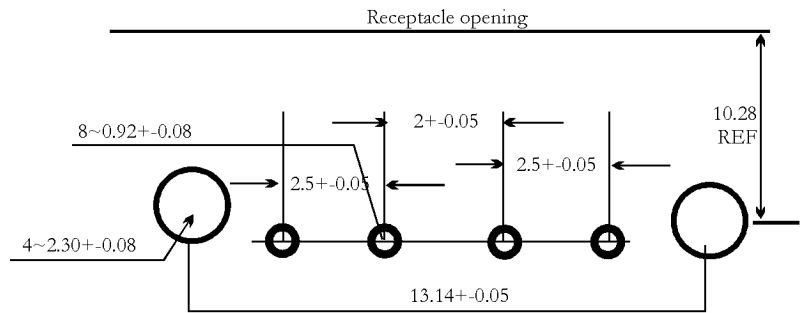


**RoHS Compliant
as of 10/20/2006**

Notes:

Material & Finish:
 Shell: Phosphor Bronze
 Insulator: White Thermoplastic, UL94V-0
 Contacts: Phosphor Bronze
 Plating: Gold Flash over Nickel on contact
 Tin/Lead over Nickel on solder Tails

Electrical:
 Current Rating: 1 Amp DC (max)
 Contact Resistance: 30 milliohms (max)
 Insulation Resistance: 1k Megohms (min)
 Operating Temp: -40°C to +60°C



PCB LAYOUT

Do not Scale Drawings

Description:		Phyco 1740-A Junction Ave. San Jose, CA 95112 USB-01A Ref#
Approvals	Date	
Drawn MAC	3/10 1999	
Checked		
Issued		
		Drawing#

Receptacle, Right Angle, Single Thru-Hole, USB-A

PHYco

1740-A Junction Ave
San Jose, CA 95112

Ph. 408-573-9044

Fax. 408-573-9045

October 20, 2005

PHYCO/JM, Inc.

CERTIFICATE OF COMPLIANCE- RoHS Declaration

For the following Series No's.

USB

Imported By:
Phyco/JM, Inc
1740-A Junction Ave
San Jose, CA 95112

This is to certify that all components used in the above listed Phyco Series' are RoHS compliant and meet the requirements of the current RoHS Directive 2002/95/EC and do not contain above the specified limits of any of the below listed banned substances.

- | | |
|--|-----------------------|
| * Lead | * Hexavalent Chromium |
| * Polybrominated Biphenyls (PBB) | * Mercury |
| * Polybrominated Diphenylethers (PBDE) | * Cadmium |



Jennifer Mahoney
Product Compliance Manager
Phyco/JM, Inc.
408-573-9044
jpapaleo@phyco.com