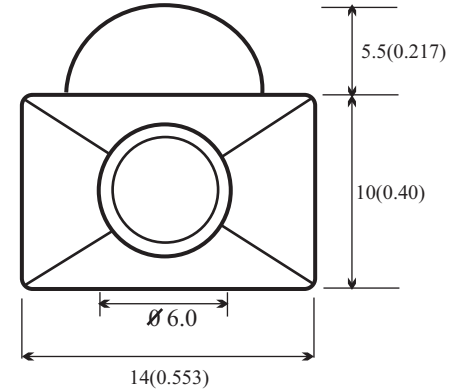
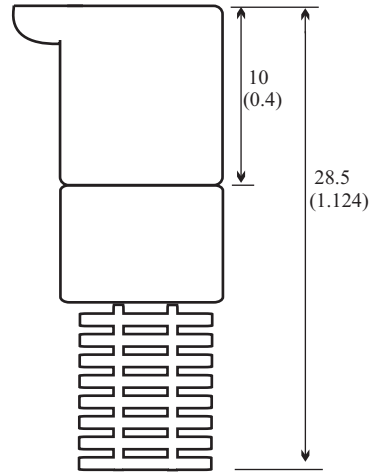
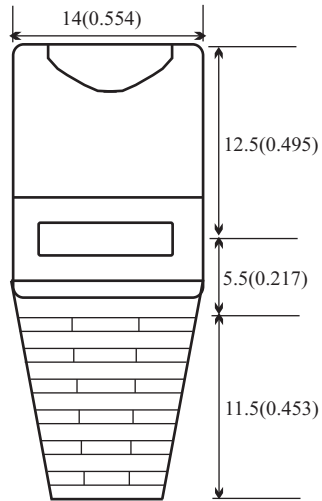


Revisions			
Rev	Description	Date	Approved



**RoHS Compliant**  
as of 06/06/2006

**Specifications:**

Material: PVC or Rubber  
 Colors: Beige, Black, Blue, Blue, Green, Grey  
 Orange, Red, Violet, White & Yellow

1001-BT Series conforms to all applicable RoHS requirements  
 UL- Approved

Do not Scale Drawings

<b>Description:</b>		<b>RJ-45 Plug Boot</b>	
Approvals	Date	<b>Phyco</b> <b>1740-A Junction Ave.</b> <b>San Jose, CA 95112</b>	
Drawn			
Checked			
Issued			
		<b>Drawing#</b>	<b>1001BT-XX</b>
		Ref#	

**PHYco**

1740-A Junction Ave  
San Jose, CA 95112

Ph. 408-573-9044

Fax. 408-573-9045

July 06, 2006

**PHYCO/JM, Inc.**

**CERTIFICATE OF COMPLIANCE- RoHS Declaration**

For the following Series No's.

1001-BT

Imported By:  
Phyco/JM, Inc  
1740-A Junction Ave  
San Jose, CA 95112

This is to certify that all components used in the above listed Phyco Series' are RoHS compliant and meet the requirements of the current RoHS Directive 2002/95/EC and do not contain above the specified limits of any of the below listed banned substances.

- |                                        |                       |
|----------------------------------------|-----------------------|
| * Lead                                 | * Hexavalent Chromium |
| * Polybrominated Biphenyls (PBB)       | * Mercury             |
| * Polybrominated Diphenylethers (PBDE) | * Cadmium             |



Jennifer Mahoney  
Product Compliance Manager  
Phyco/JM, Inc.  
408-573-9044  
jpapaleo@phyco.com