

Industrial Batteries / Network Power

Sonnenschein A500



»A powerful, universal safety package«



Sonnenschein A500

Unmatched, high reliability dry_{xt} Gel technology

Batteries of the Sonnenschein A500 range provide high capacities for many different applications. This range has been successfully in use for over twenty years in many installations worldwide. The success of A500 batteries comes from the superior dry_{xt} technology, available in a wide range of models to provide a solution for every power need.

Your benefits:

- > **dry_{xt} Gel** \boxtimes VRLA technology
- > **Lowest energy consumption** \boxtimes saving costs
- > **Robust design** \boxtimes resilient in harsh conditions
- > **Proof against deep discharge** \boxtimes greater long-term energy delivery
- > **Completely recyclable** \boxtimes low CO₂ footprint



Specifications:

- > Nominal capacity 1.20 - 200 Ah C₂₀
- > Excellent energy storage capacity combined with high reliability
- > Grid plate construction with high quality lead calcium alloy, specially designed for enhanced energy density
- > Very low gassing due to the internal gas recombination
- > Design life: »10-12 Years \boxtimes Long Life« according to EURO-BAT 2015 classification
- > Shelf life up to 2 years at 20 °C without recharge due to the very low self discharge rate
- > Superior cycling performance
- > Designed in accordance with IEC 60896-21/-22
- > Approval: UL (Underwriter Laboratories)
- > Trouble-free transport of operational blocks, no restrictions for rail, road, sea and air transportation (IATA, DGR, clause A67)
- > Manufactured in Europe in our ISO 9001 certified production plants



10-12 years
 \boxtimes Long Life



Nominal capacity
1.20 - 200 Ah



Block battery



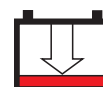
Grid plate



Recyclable



Valve regulated
lead-acid
batteries



Proof
against deep
discharge



Maintenance
free (no
topping up)

Sonnenschein A500

Technical Data

Technical characteristics and data

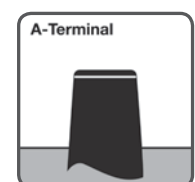
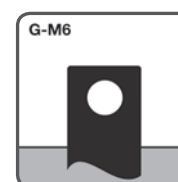
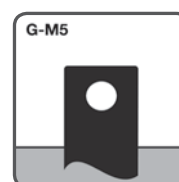
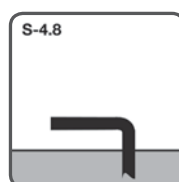
Type	Part number	Nom. voltage V	Nominal capacity C ₂₀ 1.75 Vpc 20°C Ah	Max. load** approx. A	Length (l) max. mm	Width (b/w) max. mm	Height up to top of cover (h1) max. mm	Height over terminals (h2) max. mm	Weight approx. kg	Internal resistance mOhm	Short circuit current A	Terminal
A502/10 S	NGA5020010HS0SA	2	10.0	80.0	52.9	50.5	94.5	98.4	0.70	11.2	189	S-4.8
A504/3.5 S	NGA50403D5HS0SA	4	3.50	60.0	90.5	34.5	60.5	64.4	0.50	48.0	88.0	S-4.8
A506/1.2 S	NGA50601D2HS0SA	6	1.20	40.0	97.3	25.5	51.0	55.6	0.33	165	38.0	S-4.8
A506/3.5 S	NGA50603D5HS0SA	6	3.50	60.0	135	34.8	60.5	64.4	0.70	71.0	88.0	S-4.8
A506/6.5 S	NGA50606D5HS0SA	6	6.50	80.0	152	34.5	94.5	98.4	1.30	48.0	131	S-4.8
A506/10 S*	NGA5060010HS0SA	6	10.0	80.0	152	50.5	94.5	98.4	2.10	34.0	189	S-4.8
A508/3.5 S	NGA50803D5HS0SA	8	3.50	60.0	179	34.1	60.5	64.4	1.00	95.0	88.0	S-4.8
A512/1.2 S*	NGA51201D2HS0SA	12	1.20	40.0	97.5	49.5	51.0	54.9	0.65	330	38.0	S-4.8
A512/2 S*	NGA5120002HS0SA	12	2.00	40.0	179	34.1	60.5	64.4	1.00	172	73.0	S-4.8
A512/3.5 S*	NGA51203D5HS0SA	12	3.50	60.0	135	66.8	60.5	64.4	1.50	142	88.0	S-4.8
A512/6.5 S	NGA51206D5HS0SA	12	6.50	80.0	152	65.5	94.5	98.4	2.60	95.0	131	S-4.8
A512/10 S*	NGA5120010HS0SA	12	10.0	80.0	152	98.0	94.5	98.4	4.00	66.0	189	S-4.8
A512/16 G5*	NGA5120016HS0BA	12	16.0	200	181	76.0	167	167	6.00	37.8	340	G-M5
A512/25 G5*	NGA5120025HS0BA	12	25.0	200	167	176	126	126	9.60	28.0	463	G-M5
A512/30 G6*	NGA5120030HS0BA	12	30.0	400	197	132	161	180	11.1	21.8	586	G-M6
A512/40 A*	NGA5120040HS0CA	12	40.0	400	210	175	175	175	14.2	16.5	770	A-Terminal
A512/40 G6*	NGA5120040HS0BA	12	40.0	400	210	175	175	175	14.2	16.5	770	G-M6
A512/55 A	NGA5120055HS0CA	12	55.0	400	261	135	208	230	18.1	10.9	1147	A-Terminal
A512/60 A	NGA5120060HS0CA	12	60.0	400	278	175	190	190	20.8	14.0	936	A-Terminal
A512/60 G6	NGA5120060HS0BA	12	60.0	400	278	175	190	190	20.8	14.0	936	G-M6
A512/65 A	NGA5120065HS0CA	12	65.0	400	353	175	190	190	23.5	8.30	1471	A-Terminal
A512/65 G6	NGA5120065HS0BA	12	65.0	400	353	175	190	190	23.5	8.30	1471	G-M6
A512/85 A*	NGA5120085HS0CA	12	85.0	600	330	171	213	236	29.2	7.40	1693	A-Terminal
A512/115 A	NGA5120115HS0CA	12	115	770	286	269	208	230	37.5	5.50	2275	A-Terminal
A512/120 A	NGA5120120HS0CA	12	120	770	513	189	195	223	40.0	5.10	2475	A-Terminal
A512/140 A	NGA5120140HS0CA	12	140	770	513	223	195	223	47.0	4.10	3132	A-Terminal
A512/200 A	NGA5120200HS0CA	12	200	770	518	274	216	238	67.0	3.80	3370	A-Terminal

* VDS approval · ** max. load with suitable matching contacts

Container, approval, terminal and torque

> **Container:** 1.2 - 16 Ah = ABS
25 - 200 Ah = Polypropylene (PP)

> **Approval:** Underwriters Laboratories (UL), USA
VdS (Types see above)
DIN/Gost/TÜV, Russia



5 Nm

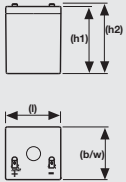
6 Nm

8 Nm

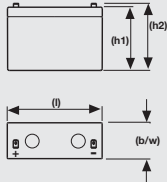
Sonnenschein A500

Drawings

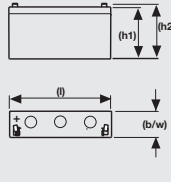
A502/10 S



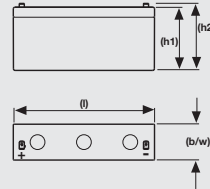
A504/3.5 S



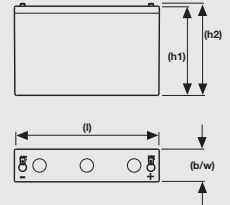
A506/1.2 S



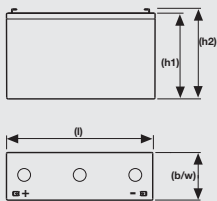
A506/3.5 S



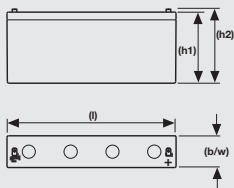
A506/6.5 S



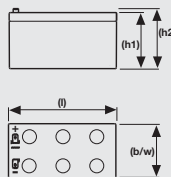
A506/10 S



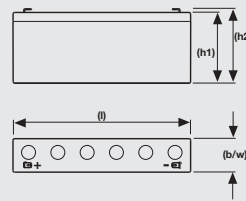
A508/3.5 S



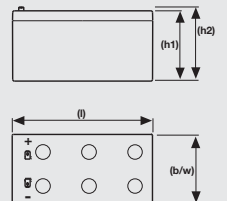
A512/1.2 S



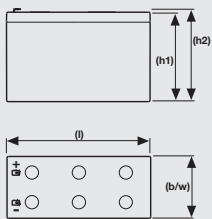
A512/2 S



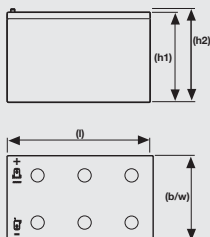
A512/3.5 S



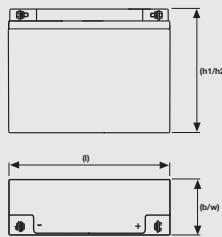
A512/6.5 S



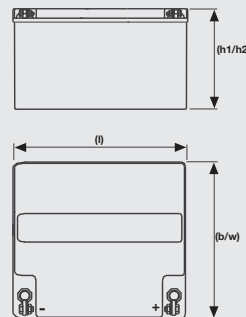
A512/10 S



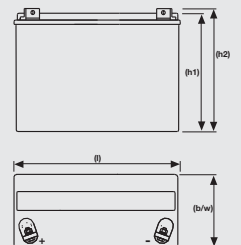
A512/16 G5



A512/25 G5



A512/30 G6

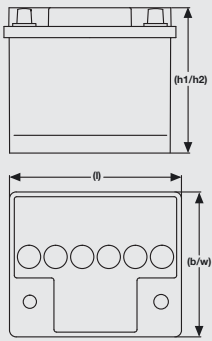


Not to scale!

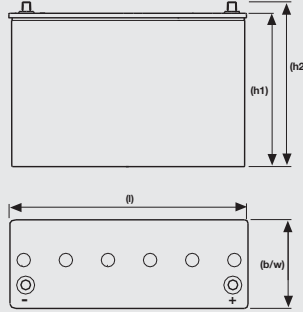
Sonnenschein A500

Drawings

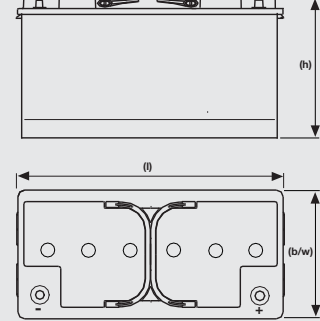
A512/40 A
(A512/40 G6)*



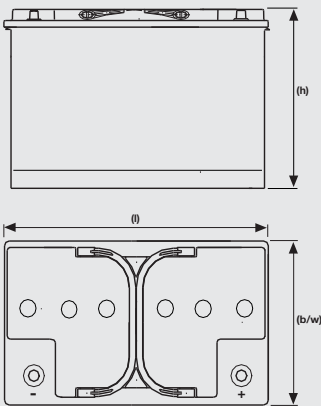
A512/55 A



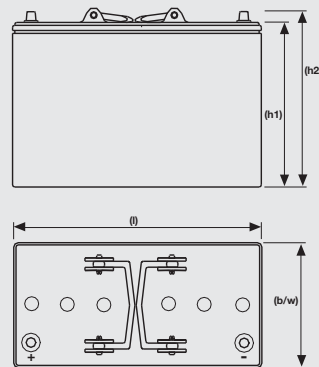
A512/60 A
(A512/60 G6)*



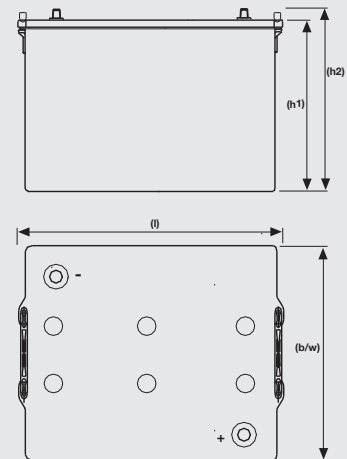
A512/65 A
(A512/65 G6)*



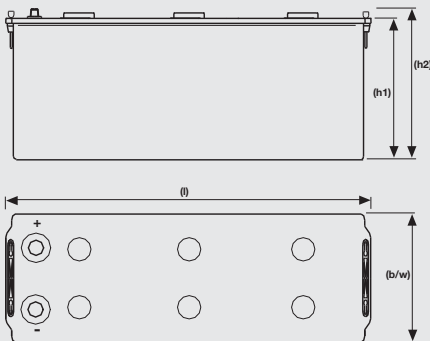
A512/85 A



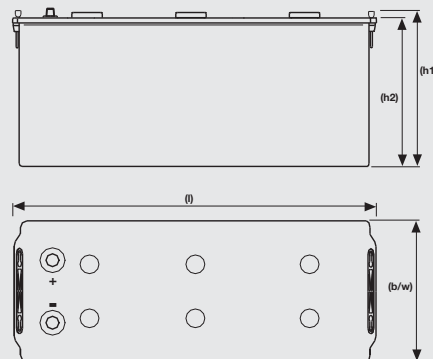
A512/115 A



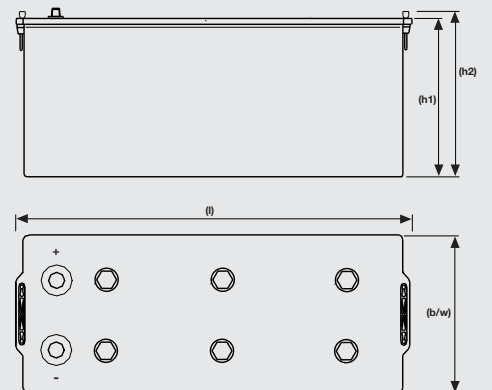
A512/120 A



A512/140 A



A512/200 A



Not to scale! · * Dimensions are also valid for other terminals.

Sonnenschein A500

Constant current discharge

1.85 Vpc Discharge in A at 20 °C

Type	Part number	5 min	10 min	15 min	20 min	30 min	1 h	2 h	3 h	5 h	8 h	10 h
A502/10 S	NGA5020010HSOSA	30.0	22.0	18.0	15.0	11.2	6.40	3.90	2.80	1.80	1.18	0.96
A504/3.5 S	NGA50403D5HSOSA	9.50	6.70	5.50	4.50	3.40	2.10	1.40	0.95	0.60	0.39	0.32
A506/1.2 S	NGA50601D2HSOSA	3.52	2.44	1.92	1.58	1.20	0.75	0.49	0.34	0.21	0.13	0.10
A506/3.5 S	NGA50603D5HSOSA	9.50	6.70	5.50	4.50	3.40	2.10	1.40	0.95	0.60	0.39	0.32
A506/6.5 S	NGA50606D5HSOSA	17.0	12.0	10.0	8.10	6.10	3.60	2.10	1.50	1.10	0.73	0.61
A506/10 S	NGA5060010HSOSA	30.0	22.0	18.0	15.0	11.2	6.40	3.90	2.80	1.80	1.18	0.96
A508/3.5 S	NGA50803D5HSOSA	9.50	6.70	5.50	4.50	3.40	2.10	1.40	0.95	0.60	0.39	0.32
A512/1.2 S	NGA51201D2HSOSA	3.52	2.44	1.92	1.58	1.20	0.75	0.49	0.34	0.21	0.13	0.10
A512/2 S	NGA5120002HSOSA	5.40	3.70	3.20	2.60	2.00	1.50	0.82	0.56	0.34	0.22	0.18
A512/3.5 S	NGA51203D5HSOSA	9.50	6.70	5.50	4.50	3.40	2.10	1.40	0.95	0.60	0.39	0.32
A512/6.5 S	NGA51206D5HSOSA	17.0	12.0	10.0	8.10	6.10	3.60	2.10	1.50	1.10	0.73	0.61
A512/10 S	NGA5120010HSOSA	30.0	22.0	18.0	15.0	11.2	6.40	3.90	2.80	1.80	1.18	0.96
A512/16 G5	NGA5120016HSOBA	40.0	29.0	24.0	20.0	15.0	9.80	6.21	4.34	2.70	1.80	1.40
A512/25 G5	NGA5120025HSOBA	41.1	36.2	29.0	24.8	20.5	13.1	8.00	5.80	3.90	2.50	2.10
A512/30 G6	NGA5120030HSOBA	60.7	49.3	44.0	36.5	28.0	18.0	10.6	7.60	4.90	3.20	2.60
A512/40 A	NGA5120040HSOCA	75.0	63.0	50.0	42.0	34.0	22.0	12.0	8.80	6.40	4.30	3.50
A512/55 A	NGA5120055HSOCA	99.2	83.1	70.1	59.1	46.4	32.7	18.9	13.6	9.00	6.00	4.90
A512/60 A	NGA5120060HSOCA	122	100	82.4	69.2	54.2	33.8	21.5	15.3	9.90	6.60	5.40
A512/65 A	NGA5120065HSOCA	95.8	83.1	73.9	65.8	56.4	35.8	23.0	16.6	11.0	7.40	6.10
A512/85 A	NGA5120085HSOCA	168	141	119	100	78.0	53.0	30.0	22.0	14.2	9.40	7.70
A512/115 A	NGA5120115HSOCA	210	179	152	128	100	60.0	36.0	26.0	18.0	12.0	10.1
A512/120 A	NGA5120120HSOCA	257	201	162	135	104	65.5	39.3	27.8	18.1	11.9	9.80
A512/140 A	NGA5120140HSOCA	275	220	178	151	118	75.1	45.7	32.5	21.3	14.0	11.5
A512/200 A	NGA5120200HSOCA	329	274	226	196	160	104	65.1	46.6	31.0	20.4	16.7

1.80 Vpc Discharge in A at 20 °C

Type	Part number	5 min	10 min	15 min	20 min	30 min	1 h	2 h	3 h	5 h	8 h	10 h
A502/10 S	NGA5020010HSOSA	33.0	24.0	19.0	16.0	11.9	6.80	4.10	2.90	1.90	1.23	1.00
A504/3.5 S	NGA50403D5HSOSA	10.6	7.40	6.00	4.90	3.70	2.20	1.40	0.98	0.62	0.40	0.33
A506/1.2 S	NGA50601D2HSOSA	3.92	2.67	2.07	1.69	1.26	0.77	0.51	0.35	0.21	0.13	0.10
A506/3.5 S	NGA50603D5HSOSA	10.6	7.40	6.00	4.90	3.70	2.20	1.40	0.98	0.62	0.40	0.33
A506/6.5 S	NGA50606D5HSOSA	19.0	13.0	11.0	8.80	6.50	3.80	2.20	1.60	1.10	0.75	0.63
A506/10 S	NGA5060010HSOSA	33.0	24.0	19.0	16.0	11.9	6.80	4.10	2.90	1.90	1.23	1.00
A508/3.5 S	NGA50803D5HSOSA	10.6	7.40	6.00	4.90	3.70	2.20	1.40	0.98	0.62	0.40	0.33
A512/1.2 S	NGA51201D2HSOSA	3.92	2.67	2.07	1.69	1.26	0.77	0.51	0.35	0.21	0.13	0.10
A512/2 S	NGA5120002HSOSA	6.20	4.20	3.40	2.80	2.10	1.50	0.86	0.58	0.36	0.23	0.19
A512/3.5 S	NGA51203D5HSOSA	10.6	7.40	6.00	4.90	3.70	2.20	1.40	0.98	0.62	0.40	0.33
A512/6.5 S	NGA51206D5HSOSA	19.0	13.0	11.0	8.80	6.50	3.80	2.20	1.60	1.10	0.75	0.63
A512/10 S	NGA5120010HSOSA	33.0	24.0	19.0	16.0	11.9	6.80	4.10	2.90	1.90	1.23	1.00
A512/16 G5	NGA5120016HSOBA	47.0	33.0	27.0	22.0	16.0	10.2	6.43	4.40	2.80	1.80	1.50
A512/25 G5	NGA5120025HSOBA	46.1	38.8	32.1	27.0	21.3	13.8	8.30	6.00	4.00	2.60	2.20
A512/30 G6	NGA5120030HSOBA	75.5	54.8	47.2	39.9	30.0	19.1	11.2	7.90	5.10	3.30	2.70
A512/40 A	NGA5120040HSOCA	86.0	69.0	57.0	47.0	36.0	23.0	13.0	9.20	6.70	4.40	3.60
A512/55 A	NGA5120055HSOCA	114	89.8	78.7	65.3	50.2	34.2	19.5	14.0	9.20	6.10	5.00
A512/60 A	NGA5120060HSOCA	145	108	91.9	75.9	58.1	35.5	22.3	15.8	10.3	6.80	5.60
A512/65 A	NGA5120065HSOCA	120	100	88.1	75.4	60.4	38.6	24.3	17.4	11.5	7.50	6.20
A512/85 A	NGA5120085HSOCA	193	154	135	112	85.0	56.0	32.0	23.0	14.7	9.80	8.00
A512/115 A	NGA5120115HSOCA	244	192	170	140	107	64.0	38.0	27.0	18.0	13.0	10.4
A512/120 A	NGA5120120HSOCA	293	221	178	147	112	69.5	40.9	28.9	18.6	12.3	10.2
A512/140 A	NGA5120140HSOCA	315	244	198	166	128	79.7	47.7	33.8	22.0	14.5	11.9
A512/200 A	NGA5120200HSOCA	381	313	258	222	176	110	68.1	48.5	32.0	21.1	17.3

¹ Discharge data are also valid for other terminals/containers.

Sonnenschein A500

Constant current discharge

1.75 Vpc Discharge in A at 20 °C

Type	Part number	5 min	10 min	15 min	20 min	30 min	1 h	2 h	3 h	5 h	8 h	10 h
A502/10 S	NGA5020010HSOSA	35.0	26.0	20.0	17.0	12.3	6.90	4.20	3.00	1.90	1.25	1.02
A504/3.5 S	NGA50403D5HSOSA	11.3	7.90	6.20	5.10	3.80	2.30	1.40	0.99	0.62	0.41	0.34
A506/1.2 S	NGA50601D2HSOSA	4.12	2.82	2.15	1.74	1.30	0.78	0.51	0.35	0.22	0.13	0.10
A506/3.5 S	NGA50603D5HSOSA	11.3	7.90	6.20	5.10	3.80	2.30	1.40	0.99	0.62	0.41	0.34
A506/6.5 S	NGA50606D5HSOSA	20.0	14.0	11.0	9.20	6.80	3.90	2.30	1.60	1.10	0.76	0.63
A506/10 S	NGA5060010HSOSA	35.0	26.0	20.0	17.0	12.3	6.90	4.20	3.00	1.90	1.25	1.02
A508/3.5 S	NGA50803D5HSOSA	11.3	7.90	6.20	5.10	3.80	2.30	1.40	0.99	0.62	0.41	0.34
A512/1.2 S	NGA51201D2HSOSA	4.12	2.82	2.15	1.74	1.30	0.78	0.51	0.35	0.22	0.13	0.10
A512/2 S	NGA5120002HSOSA	6.80	4.60	3.50	2.90	2.20	1.50	0.87	0.59	0.36	0.24	0.19
A512/3.5 S	NGA51203D5HSOSA	11.3	7.90	6.20	5.10	3.80	2.30	1.40	0.99	0.62	0.41	0.34
A512/6.5 S	NGA51206D5HSOSA	20.0	14.0	11.0	9.20	6.80	3.90	2.30	1.60	1.10	0.76	0.63
A512/10 S	NGA5120010HSOSA	35.0	26.0	20.0	17.0	12.3	6.90	4.20	3.00	1.90	1.25	1.02
A512/16 G5	NGA5120016HSOBA	51.0	36.0	28.0	23.0	17.0	10.4	6.53	4.50	2.90	1.80	1.54
A512/25 G5	NGA5120025HSOBA	54.2	41.4	34.5	28.6	21.9	14.2	8.50	6.10	4.00	2.70	2.20
A512/30 G6	NGA5120030HSOBA	84.7	60.3	49.0	42.0	31.3	19.7	11.5	8.10	5.20	3.40	2.80
A512/40 A	NGA5120040HSOCA	103	74.0	61.0	50.0	37.0	24.0	13.0	9.40	6.80	4.50	3.70
A512/55 A	NGA5120055HSOCA	139	99.0	84.3	69.5	52.5	35.0	19.9	14.2	9.30	6.20	5.10
A512/60 A	NGA5120060HSOCA	168	118	98.3	80.4	60.5	36.4	22.7	16.1	10.4	6.90	5.60
A512/65 A	NGA5120065HSOCA	140	111	95.7	81.9	63.8	40.0	24.9	17.8	11.7	7.60	6.30
A512/85 A	NGA5120085HSOCA	226	169	144	120	90.0	58.0	33.0	23.0	15.0	9.90	8.10
A512/115 A	NGA5120115HSOCA	282	204	179	148	112	66.0	39.0	28.0	19.0	13.0	10.5
A512/120 A	NGA5120120HSOCA	330	235	188	155	116	71.6	41.9	29.5	19.0	12.6	10.5
A512/140 A	NGA5120140HSOCA	357	264	211	176	133	82.3	48.9	34.5	22.3	14.8	12.2
A512/200 A	NGA5120200HSOCA	437	349	282	237	183	115	70.0	49.7	32.3	21.5	17.7

1.70 Vpc Discharge in A at 20 °C

Type	Part number	5 min	10 min	15 min	20 min	30 min	1 h	2 h	3 h	5 h	8 h	10 h
A502/10 S	NGA5020010HSOSA	37.0	27.0	20.0	17.0	12.6	7.00	4.20	3.00	1.90	1.25	1.02
A504/3.5 S	NGA50403D5HSOSA	12.1	8.30	6.30	5.20	3.90	2.30	1.40	1.00	0.63	0.41	0.34
A506/1.2 S	NGA50601D2HSOSA	4.32	2.91	2.19	1.77	1.31	0.79	0.52	0.35	0.22	0.13	0.10
A506/3.5 S	NGA50603D5HSOSA	12.1	8.30	6.30	5.20	3.90	2.30	1.40	1.00	0.63	0.41	0.34
A506/6.5 S	NGA50606D5HSOSA	21.0	15.0	12.0	9.50	6.90	3.90	2.30	1.60	1.10	0.76	0.63
A506/10 S	NGA5060010HSOSA	37.0	27.0	20.0	17.0	12.6	7.00	4.20	3.00	1.90	1.25	1.02
A508/3.5 S	NGA50803D5HSOSA	12.1	8.30	6.30	5.20	3.90	2.30	1.40	1.00	0.63	0.41	0.34
A512/1.2 S	NGA51201D2HSOSA	4.32	2.91	2.19	1.77	1.31	0.79	0.52	0.35	0.22	0.13	0.10
A512/2 S	NGA5120002HSOSA	7.40	4.80	3.60	3.00	2.20	1.50	0.88	0.60	0.37	0.24	0.19
A512/3.5 S	NGA51203D5HSOSA	12.1	8.30	6.30	5.20	3.90	2.30	1.40	1.00	0.63	0.41	0.34
A512/6.5 S	NGA51206D5HSOSA	21.0	15.0	12.0	9.50	6.90	3.90	2.30	1.60	1.10	0.76	0.63
A512/10 S	NGA5120010HSOSA	37.0	27.0	20.0	17.0	12.6	7.00	4.20	3.00	1.90	1.25	1.02
A512/16 G5	NGA5120016HSOBA	54.0	39.0	30.0	24.0	17.0	10.5	6.57	4.60	2.92	1.80	1.54
A512/25 G5	NGA5120025HSOBA	61.7	43.3	36.1	29.6	22.4	14.4	8.60	6.20	4.10	2.70	2.20
A512/30 G6	NGA5120030HSOBA	92.0	64.3	50.1	43.3	32.0	20.0	11.6	8.20	5.30	3.40	2.80
A512/40 A	NGA5120040HSOCA	115	79.0	64.0	52.0	38.0	24.0	13.0	9.50	6.80	4.50	3.70
A512/55 A	NGA5120055HSOCA	151	106	86.8	72.0	53.9	35.5	20.1	14.3	9.30	6.20	5.10
A512/60 A	NGA5120060HSOCA	178	125	101	82.6	61.6	36.9	22.9	16.2	10.4	6.90	5.60
A512/65 A	NGA5120065HSOCA	158	121	104	86.2	65.9	40.6	25.1	17.9	11.7	7.60	6.30
A512/85 A	NGA5120085HSOCA	244	182	149	125	93.0	59.0	33.0	23.0	15.1	9.90	8.10
A512/115 A	NGA5120115HSOCA	310	215	183	153	114	67.0	39.0	28.0	19.0	13.0	10.5
A512/120 A	NGA5120120HSOCA	367	249	196	161	119	73.1	42.7	29.9	19.2	12.8	10.5
A512/140 A	NGA5120140HSOCA	397	282	222	183	137	84.1	49.9	35.1	22.6	15.0	12.2
A512/200 A	NGA5120200HSOCA	486	380	300	251	191	117	71.4	50.6	32.8	21.8	17.7

¹ Discharge data are also valid for other terminals/containers.

Sonnenschein A500

Constant current discharge

1.65 Vpc Discharge in A at 20 °C

Type	Part number	5 min	10 min	15 min	20 min	30 min	1 h	2 h	3 h	5 h	8 h	10 h
A502/10 S	NGA5020010HSOSA	39.0	28.0	21.0	17.0	12.7	7.10	4.30	3.00	1.90	1.25	1.02
A504/3.5 S	NGA50403D5HSOSA	12.7	8.50	6.50	5.30	3.90	2.30	1.40	1.01	0.63	0.41	0.34
A506/1.2 S	NGA50601D2HSOSA	4.52	2.96	2.22	1.79	1.32	0.80	0.52	0.36	0.22	0.13	0.10
A506/3.5 S	NGA50603D5HSOSA	12.7	8.50	6.50	5.30	3.90	2.30	1.40	1.01	0.63	0.41	0.34
A506/6.5 S	NGA50606D5HSOSA	23.0	15.0	12.0	9.60	7.00	4.00	2.30	1.60	1.10	0.76	0.63
A506/10 S	NGA5060010HSOSA	39.0	28.0	21.0	17.0	12.7	7.10	4.30	3.00	1.90	1.25	1.02
A508/3.5 S	NGA50803D5HSOSA	12.7	8.50	6.50	5.30	3.90	2.30	1.40	1.01	0.63	0.41	0.34
A512/1.2 S	NGA51201D2HSOSA	4.52	2.96	2.22	1.79	1.32	0.80	0.52	0.36	0.22	0.13	0.10
A512/2 S	NGA5120002HSOSA	7.80	4.90	3.70	3.00	2.20	1.50	0.88	0.60	0.37	0.24	0.19
A512/3.5 S	NGA51203D5HSOSA	12.7	8.50	6.50	5.30	3.90	2.30	1.40	1.01	0.63	0.41	0.34
A512/6.5 S	NGA51206D5HSOSA	23.0	15.0	12.0	9.60	7.00	4.00	2.30	1.60	1.10	0.76	0.63
A512/10 S	NGA5120010HSOSA	39.0	28.0	21.0	17.0	12.7	7.10	4.30	3.00	1.90	1.25	1.02
A512/16 G5	NGA5120016HSOBA	58.0	41.0	30.0	24.0	18.0	10.6	6.61	4.60	2.92	1.80	1.54
A512/25 G5	NGA5120025HSOBA	67.5	45.4	37.1	30.2	22.7	14.4	8.60	6.20	4.10	2.70	2.20
A512/30 G6	NGA5120030HSOBA	98.9	67.0	51.1	44.0	32.4	20.1	11.7	8.20	5.30	3.40	2.80
A512/40 A	NGA5120040HSOCA	121	82.0	66.0	53.0	39.0	24.0	13.0	9.50	6.80	4.50	3.70
A512/55 A	NGA5120055HSOCA	161	112	88.4	73.6	54.7	35.7	20.2	14.4	9.30	6.20	5.10
A512/60 A	NGA5120060HSOCA	185	130	102	83.2	61.7	37.1	23.0	16.2	10.4	6.90	5.60
A512/65 A	NGA5120065HSOCA	178	129	108	88.8	67.0	40.9	25.2	17.9	11.7	7.60	6.30
A512/85 A	NGA5120085HSOCA	259	192	152	128	94.0	59.0	33.0	24.0	15.1	9.90	8.10
A512/115 A	NGA5120115HSOCA	332	222	186	156	116	67.0	39.0	28.0	19.0	13.0	10.5
A512/120 A	NGA5120120HSOCA	387	260	201	165	122	74.0	43.1	30.1	19.2	12.8	10.5
A512/140 A	NGA5120140HSOCA	423	294	229	189	141	85.4	50.3	35.4	22.6	15.0	12.2
A512/200 A	NGA5120200HSOCA	531	395	313	262	198	120	72.1	51.0	32.8	21.8	17.7

1.60 Vpc Discharge in A at 20 °C

Type	Part number	5 min	10 min	15 min	20 min	30 min	1 h	2 h	3 h	5 h	8 h	10 h
A502/10 S	NGA5020010HSOSA	42.0	29.0	21.0	17.0	12.8	7.10	4.30	3.00	1.90	1.25	1.02
A504/3.5 S	NGA50403D5HSOSA	13.1	8.70	6.50	5.30	3.90	2.30	1.40	1.01	0.63	0.41	0.34
A506/1.2 S	NGA50601D2HSOSA	4.66	3.00	2.24	1.80	1.33	0.80	0.52	0.36	0.22	0.13	0.10
A506/3.5 S	NGA50603D5HSOSA	13.1	8.70	6.50	5.30	3.90	2.30	1.40	1.01	0.63	0.41	0.34
A506/6.5 S	NGA50606D5HSOSA	24.0	16.0	12.0	9.70	7.00	4.00	2.30	1.60	1.10	0.76	0.63
A506/10 S	NGA5060010HSOSA	42.0	29.0	21.0	17.0	12.8	7.10	4.30	3.00	1.90	1.25	1.02
A508/3.5 S	NGA50803D5HSOSA	13.1	8.70	6.50	5.30	3.90	2.30	1.40	1.01	0.63	0.41	0.34
A512/1.2 S	NGA51201D2HSOSA	4.66	3.00	2.24	1.80	1.33	0.80	0.52	0.36	0.22	0.13	0.10
A512/2 S	NGA5120002HSOSA	8.20	5.00	3.70	3.10	2.20	1.50	0.89	0.60	0.37	0.24	0.19
A512/3.5 S	NGA51203D5HSOSA	13.1	8.70	6.50	5.30	3.90	2.30	1.40	1.01	0.63	0.41	0.34
A512/6.5 S	NGA51206D5HSOSA	24.0	16.0	12.0	9.70	7.00	4.00	2.30	1.60	1.10	0.76	0.63
A512/10 S	NGA5120010HSOSA	42.0	29.0	21.0	17.0	12.8	7.10	4.30	3.00	1.90	1.25	1.02
A512/16 G5	NGA5120016HSOBA	61.0	42.0	31.0	25.0	18.0	10.7	6.62	4.61	2.92	1.80	1.54
A512/25 G5	NGA5120025HSOBA	71.8	46.9	37.7	30.7	22.9	14.5	8.60	6.20	4.10	2.70	2.20
A512/30 G6	NGA5120030HSOBA	105	68.7	51.8	44.4	32.6	20.1	11.7	8.20	5.30	3.40	2.80
A512/40 A	NGA5120040HSOCA	127	85.0	67.0	54.0	39.0	24.0	13.0	9.50	6.80	4.50	3.70
A512/55 A	NGA5120055HSOCA	169	116	89.3	74.6	55.2	35.8	20.2	14.4	9.30	6.20	5.10
A512/60 A	NGA5120060HSOCA	191	133	103	83.5	61.8	37.2	23.0	16.2	10.4	6.90	5.60
A512/65 A	NGA5120065HSOCA	193	135	110	90.3	67.7	41.1	25.2	18.0	11.7	7.60	6.30
A512/85 A	NGA5120085HSOCA	273	199	155	130	95.0	60.0	33.0	24.0	15.1	9.90	8.10
A512/115 A	NGA5120115HSOCA	343	227	187	158	117	68.0	40.0	28.0	19.0	13.0	10.5
A512/120 A	NGA5120120HSOCA	409	267	205	168	124	74.7	43.3	30.2	19.2	12.8	10.5
A512/140 A	NGA5120140HSOCA	452	303	235	193	143	86.3	50.6	35.4	22.6	15.0	12.2
A512/200 A	NGA5120200HSOCA	581	411	323	269	202	121	72.4	51.1	32.8	21.8	17.7

¹ Discharge data are also valid for other terminals/containers.

Sonnenschein A500

Constant power discharge

1.85 Vpc Discharge in W/block at 20 °C

Type	Part number	3 min	5 min	10 min	15 min	20 min	30 min	45 min	1 h	1.5 h
A502/10 S	NGA5020010HS0SA	56.0	50.0	41.0	33.0	27.0	20.0	16.0	13.0	9.0
A504/3.5 S	NGA50403D5HS0SA	41.0	34.0	26.0	21.0	17.0	13.0	11.0	9.0	6.0
A506/1.2 S	NGA50601D2HS0SA	21.4	17.2	12.2	10.3	8.6	6.6	4.9	4.0	3.0
A506/3.5 S	NGA50603D5HS0SA	62.0	51.0	38.0	32.0	26.0	20.0	16.0	13.0	9.0
A506/6.5 S	NGA50606D5HS0SA	120	100	73.0	60.0	51.0	38.0	28.0	23.0	16.0
A506/10 S	NGA5060010HS0SA	167	149	124	98.0	80.0	60.0	49.0	39.0	28.0
A508/3.5 S	NGA50803D5HS0SA	83.0	68.0	51.0	42.0	35.0	27.0	22.0	17.0	12.0
A512/1.2 S	NGA51201D2HS0SA	42.7	34.4	24.3	20.7	17.2	13.2	9.8	8.0	5.9
A512/2 S	NGA5120002HS0SA	74.0	60.0	44.0	36.0	30.0	23.0	17.0	14.0	10.0
A512/3.5 S	NGA51203D5HS0SA	124	102	77.0	63.0	52.0	40.0	33.0	26.0	18.0
A512/6.5 S	NGA51206D5HS0SA	240	200	146	120	102	76.0	56.0	46.0	32.0
A512/10 S	NGA5120010HS0SA	335	298	248	195	160	120	98.0	78.0	56.0
A512/16 G5	NGA5120016HS0BA	485	433	352	295	252	192	150	119	87.0
A512/25 G5	NGA5120025HS0BA	535	463	387	324	278	225	170	140	105
A512/30 G6	NGA5120030HS0BA	857	751	568	479	400	310	251	200	144
A512/40 A	NGA5120040HS0CA	958	848	703	578	490	395	300	243	178
A512/55 A	NGA5120055HS0CA	1348	1172	922	844	718	572	457	367	269
A512/60 A	NGA5120060HS0CA	1618	1414	1096	963	807	625	459	369	271
A512/65 A	NGA5120065HS0CA	1180	1113	991	861	763	659	500	411	307
A512/85 A	NGA5120085HS0CA	1979	1802	1527	1310	1118	905	690	565	425
A512/115 A	NGA5120115HS0CA	2808	2531	2009	1705	1439	1155	872	702	512
A512/120 A	NGA5120120HS0CA	3350	2862	2300	1895	1583	1200	938	757	583
A512/140 A	NGA5120140HS0CA	3674	3172	2549	2101	1755	1330	1040	839	647
A512/200 A	NGA5120200HS0CA	4690	4102	3449	2843	2375	1800	1408	1135	875

1.80 Vpc Discharge in W/block at 20 °C

Type	Part number	3 min	5 min	10 min	15 min	20 min	30 min	45 min	1 h	1.5 h
A502/10 S	NGA5020010HS0SA	56.0	53.0	44.0	35.0	29.0	21.0	17.0	14.0	10.0
A504/3.5 S	NGA50403D5HS0SA	45.0	38.0	28.0	22.0	19.0	14.0	11.0	9.0	6.0
A506/1.2 S	NGA50601D2HS0SA	23.5	19.1	13.3	10.9	9.1	6.9	5.1	4.1	3.0
A506/3.5 S	NGA50603D5HS0SA	68.0	57.0	42.0	33.0	28.0	21.0	17.0	13.0	10.0
A506/6.5 S	NGA50606D5HS0SA	128	112	80.0	63.0	54.0	40.0	30.0	24.0	17.0
A506/10 S	NGA5060010HS0SA	168	159	131	104	86.0	64.0	51.0	41.0	29.0
A508/3.5 S	NGA50803D5HS0SA	91.0	76.0	56.0	44.0	37.0	28.0	23.0	18.0	13.0
A512/1.2 S	NGA51201D2HS0SA	47.0	38.3	26.5	21.7	18.1	13.7	10.2	8.2	6.0
A512/2 S	NGA5120002HS0SA	83.0	68.0	49.0	38.0	32.0	24.0	18.0	15.0	11.0
A512/3.5 S	NGA51203D5HS0SA	136	114	84.0	66.0	56.0	42.0	34.0	27.0	19.0
A512/6.5 S	NGA51206D5HS0SA	256	224	160	126	108	80.0	60.0	48.0	34.0
A512/10 S	NGA5120010HS0SA	336	318	261	209	172	128	101	81.0	59.0
A512/16 G5	NGA5120016HS0BA	584	485	384	309	269	203	156	124	90.0
A512/25 G5	NGA5120025HS0BA	623	555	418	360	303	240	180	146	109
A512/30 G6	NGA5120030HS0BA	1036	850	637	517	433	330	264	210	151
A512/40 A	NGA5120040HS0CA	1092	1007	758	646	538	415	318	255	186
A512/55 A	NGA5120055HS0CA	1555	1362	1014	888	777	606	478	382	278
A512/60 A	NGA5120060HS0CA	1955	1634	1181	1041	873	669	489	390	283
A512/65 A	NGA5120065HS0CA	1459	1316	1109	989	851	693	544	441	327
A512/85 A	NGA5120085HS0CA	2279	2132	1684	1487	1245	970	740	600	447
A512/115 A	NGA5120115HS0CA	3189	2873	2190	1888	1569	1209	926	739	535
A512/120 A	NGA5120120HS0CA	3763	3276	2543	2027	1720	1285	966	794	608
A512/140 A	NGA5120140HS0CA	4127	3631	2819	2246	1906	1424	1070	880	674
A512/200 A	NGA5120200HS0CA	5268	4695	3815	3040	2580	1928	1449	1191	912

¹ Discharge data are also valid for other terminals/containers.

Sonnenschein A500

Constant power discharge

1.75 Vpc ☒ Discharge in W/block at 20 °C

Type	Part number	3 min	5 min	10 min	15 min	20 min	30 min	45 min	1 h	1.5 h
A502/10 S	NGA5020010HSOSA☒	60.0☒	58.0☒	45.0☒	36.0☒	30.0☒	22.0☒	17.0☒	14.0☒	10.0☒
A504/3.5 S	NGA50403D5HSOSA☒	49.0☒	41.0☒	30.0☒	23.0☒	20.0☒	15.0☒	12.0☒	9.00☒	6.00☒
A506/1.2 S	NGA50601D2HSOSA☒	25.1☒	20.7☒	14.0☒	11.1☒	9.30☒	7.00☒	5.20☒	4.20☒	3.00☒
A506/3.5 S	NGA50603D5HSOSA☒	73.0☒	62.0☒	45.0☒	35.0☒	29.0☒	22.0☒	18.0☒	14.0☒	10.0☒
A506/6.5 S	NGA50606D5HSOSA☒	138☒	121☒	86.0☒	66.0☒	57.0☒	42.0☒	30.0☒	24.0☒	17.0☒
A506/10 S	NGA5060010HSOSA☒	181☒	173☒	135☒	109☒	90.0☒	66.0☒	51.0☒	42.0☒	30.0☒
A508/3.5 S	NGA50803D5HSOSA☒	97.0☒	82.0☒	60.0☒	46.0☒	39.0☒	29.0☒	23.0☒	18.0☒	13.0☒
A512/1.2 S	NGA51201D2HSOSA☒	50.1☒	41.4☒	28.0☒	22.2☒	18.6☒	14.0☒	10.3☒	8.30☒	6.10☒
A512/2 S	NGA5120002HSOSA☒	91.0☒	75.0☒	52.0☒	40.0☒	33.0☒	25.0☒	18.0☒	15.0☒	11.0☒
A512/3.5 S	NGA51203D5HSOSA☒	146☒	123☒	89.0☒	69.0☒	59.0☒	44.0☒	35.0☒	27.0☒	19.0☒
A512/6.5 S	NGA51206D5HSOSA☒	276☒	242☒	172☒	132☒	114☒	84.0☒	60.0☒	48.0☒	34.0☒
A512/10 S	NGA5120010HSOSA☒	361☒	346☒	270☒	219☒	179☒	132☒	103☒	83.0☒	60.0☒
A512/16 G5	NGA5120016HSOBA☒	636☒	534☒	407☒	322☒	280☒	209☒	159☒	126☒	91.0☒
A512/25 G5	NGA5120025HSOBA☒	689☒	616☒	454☒	385☒	320☒	248☒	185☒	150☒	111☒
A512/30 G6	NGA5120030HSOBA☒	1118☒	951☒	690☒	538☒	453☒	341☒	271☒	214☒	153☒
A512/40 A	NGA5120040HSOCA☒	1226☒	1074☒	822☒	691☒	569☒	432☒	326☒	261☒	189☒
A512/55 A	NGA5120055HSOCA☒	1799☒	1496☒	1102☒	917☒	813☒	626☒	489☒	388☒	281☒
A512/60 A	NGA5120060HSOCA☒	2267☒	1837☒	1274☒	1071☒	915☒	693☒	505☒	400☒	288☒
A512/65 A	NGA5120065HSOCA☒	1757☒	1591☒	1223☒	1083☒	914☒	721☒	567☒	457☒	336☒
A512/85 A	NGA5120085HSOCA☒	2561☒	2292☒	1847☒	1557☒	1329☒	1018☒	768☒	621☒	460☒
A512/115 A	NGA5120115HSOCA☒	3642☒	3101☒	2374☒	1986☒	1653☒	1255☒	956☒	759☒	547☒
A512/120 A	NGA5120120HSOCA☒	4237☒	3552☒	2627☒	2134☒	1800☒	1334☒	989☒	815☒	622☒
A512/140 A	NGA5120140HSOCA☒	4647☒	3937☒	2912☒	2365☒	1995☒	1479☒	1096☒	904☒	689☒
A512/200 A	NGA5120200HSOCA☒	5932☒	5092☒	3941☒	3201☒	2700☒	2002☒	1484☒	1223☒	933☒

1.70 Vpc ☒ Discharge in W/block at 20 °C

Type	Part number	3 min	5 min	10 min	15 min	20 min	30 min	45 min	1 h	1.5 h
A502/10 S	NGA5020010HSOSA☒	64.0☒	60.0☒	46.0☒	38.0☒	31.0☒	22.0☒	17.0☒	14.0☒	10.0☒
A504/3.5 S	NGA50403D5HSOSA☒	53.0☒	44.0☒	31.0☒	24.0☒	20.0☒	15.0☒	12.0☒	9.00☒	7.00☒
A506/1.2 S	NGA50601D2HSOSA☒	26.8☒	21.9☒	14.4☒	11.2☒	9.40☒	7.10☒	5.20☒	4.20☒	3.10☒
A506/3.5 S	NGA50603D5HSOSA☒	80.0☒	66.0☒	46.0☒	36.0☒	30.0☒	22.0☒	18.0☒	14.0☒	10.0☒
A506/6.5 S	NGA50606D5HSOSA☒	150☒	126☒	88.0☒	68.0☒	58.0☒	42.0☒	31.0☒	24.0☒	17.0☒
A506/10 S	NGA5060010HSOSA☒	193☒	180☒	139☒	113☒	92.0☒	67.0☒	52.0☒	42.0☒	30.0☒
A508/3.5 S	NGA50803D5HSOSA☒	106☒	88.0☒	61.0☒	48.0☒	40.0☒	30.0☒	24.0☒	19.0☒	13.0☒
A512/1.2 S	NGA51201D2HSOSA☒	53.7☒	43.7☒	28.8☒	22.4☒	18.8☒	14.1☒	10.4☒	8.40☒	6.10☒
A512/2 S	NGA5120002HSOSA☒	99.0☒	80.0☒	53.0☒	41.0☒	34.0☒	25.0☒	19.0☒	15.0☒	11.0☒
A512/3.5 S	NGA51203D5HSOSA☒	159☒	131☒	92.0☒	72.0☒	60.0☒	45.0☒	35.0☒	28.0☒	20.0☒
A512/6.5 S	NGA51206D5HSOSA☒	300☒	252☒	176☒	136☒	116☒	84.0☒	62.0☒	48.0☒	34.0☒
A512/10 S	NGA5120010HSOSA☒	385☒	360☒	278☒	226☒	185☒	135☒	103☒	84.0☒	60.0☒
A512/16 G5	NGA5120016HSOBA☒	688☒	573☒	418☒	331☒	285☒	212☒	161☒	127☒	91.0☒
A512/25 G5	NGA5120025HSOBA☒	776☒	652☒	482☒	395☒	330☒	253☒	187☒	151☒	112☒
A512/30 G6	NGA5120030HSOBA☒	1214☒	1037☒	726☒	558☒	465☒	347☒	274☒	216☒	155☒
A512/40 A	NGA5120040HSOCA☒	1391☒	1157☒	870☒	719☒	587☒	441☒	331☒	264☒	191☒
A512/55 A	NGA5120055HSOCA☒	1912☒	1624☒	1163☒	935☒	834☒	636☒	493☒	392☒	283☒
A512/60 A	NGA5120060HSOCA☒	2406☒	2022☒	1348☒	1088☒	940☒	707☒	514☒	405☒	290☒
A512/65 A	NGA5120065HSOCA☒	1959☒	1739☒	1322☒	1142☒	954☒	739☒	577☒	464☒	340☒
A512/85 A	NGA5120085HSOCA☒	2900☒	2486☒	1993☒	1607☒	1381☒	1045☒	786☒	634☒	469☒
A512/115 A	NGA5120115HSOCA☒	4106☒	3361☒	2511☒	2030☒	1703☒	1281☒	971☒	770☒	553☒
A512/120 A	NGA5120120HSOCA☒	4536☒	3800☒	2690☒	2201☒	1849☒	1365☒	1008☒	830☒	632☒
A512/140 A	NGA5120140HSOCA☒	4974☒	4211☒	2981☒	2440☒	2050☒	1513☒	1117☒	920☒	700☒
A512/200 A	NGA5120200HSOCA☒	6350☒	5446☒	4034☒	3302☒	2774☒	2048☒	1512☒	1245☒	948☒

¹ Discharge data are also valid for other terminals/containers.

Sonnenschein A500

Constant power discharge

1.65 Vpc ☒ Discharge in W/block at 20 °C

Type	Part number	3 min	5 min	10 min	15 min	20 min	30 min	45 min	1 h	1.5 h
A502/10 S	NGA5020010HS0SA☒	68.0☒	62.0☒	47.0☒	38.0☒	31.0☒	23.0☒	17.0☒	14.0☒	10.0☒
A504/3.5 S	NGA50403D5HS0SA☒	57.0☒	46.0☒	31.0☒	24.0☒	20.0☒	15.0☒	12.0☒	9.00☒	7.00☒
A506/1.2 S	NGA50601D2HS0SA☒	28.2☒	22.6☒	14.7☒	11.2☒	9.50☒	7.10☒	5.20☒	4.20☒	3.10☒
A506/3.5 S	NGA50603D5HS0SA☒	85.0☒	68.0☒	47.0☒	36.0☒	30.0☒	23.0☒	18.0☒	14.0☒	10.0☒
A506/6.5 S	NGA50606D5HS0SA☒	160☒	129☒	90.0☒	69.0☒	59.0☒	43.0☒	31.0☒	25.0☒	18.0☒
A506/10 S	NGA5060010HS0SA☒	205☒	186☒	142☒	114☒	93.0☒	68.0☒	52.0☒	42.0☒	30.0☒
A508/3.5 S	NGA50803D5HS0SA☒	113☒	91.0☒	62.0☒	49.0☒	41.0☒	30.0☒	24.0☒	19.0☒	13.0☒
A512/1.2 S	NGA51201D2HS0SA☒	56.4☒	45.3☒	29.4☒	22.5☒	18.9☒	14.2☒	10.5☒	8.40☒	6.10☒
A512/2 S	NGA5120002HS0SA☒	103☒	82.0☒	54.0☒	41.0☒	34.0☒	25.0☒	19.0☒	15.0☒	11.0☒
A512/3.5 S	NGA51203D5HS0SA☒	170☒	137☒	93.0☒	73.0☒	61.0☒	45.0☒	35.0☒	28.0☒	20.0☒
A512/6.5 S	NGA51206D5HS0SA☒	320☒	258☒	180☒	138☒	118☒	86.0☒	62.0☒	50.0☒	36.0☒
A512/10 S	NGA5120010HS0SA☒	410☒	371☒	283☒	229☒	187☒	136☒	104☒	84.0☒	61.0☒
A512/16 G5	NGA5120016HS0BA☒	741☒	601☒	423☒	335☒	288☒	213☒	161☒	128☒	92.0☒
A512/25 G5	NGA5120025HS0BA☒	854☒	693☒	501☒	400☒	335☒	255☒	188☒	152☒	112☒
A512/30 G6	NGA5120030HS0BA☒	1310☒	1095☒	746☒	569☒	471☒	351☒	276☒	217☒	155☒
A512/40 A	NGA5120040HS0CA☒	1514☒	1235☒	902☒	729☒	597☒	446☒	333☒	265☒	192☒
A512/55 A	NGA5120055HS0CA☒	2005☒	1726☒	1204☒	945☒	845☒	642☒	496☒	394☒	284☒
A512/60 A	NGA5120060HS0CA☒	2548☒	2176☒	1404☒	1098☒	954☒	715☒	519☒	409☒	292☒
A512/65 A	NGA5120065HS0CA☒	2139☒	1853☒	1395☒	1171☒	976☒	749☒	582☒	466☒	341☒
A512/85 A	NGA5120085HS0CA☒	3115☒	2719☒	2109☒	1663☒	1410☒	1060☒	797☒	642☒	474☒
A512/115 A	NGA5120115HS0CA☒	4304☒	3582☒	2603☒	2057☒	1732☒	1296☒	980☒	776☒	557☒
A512/120 A	NGA5120120HS0CA☒	4847☒	4002☒	2761☒	2246☒	1883☒	1387☒	1022☒	843☒	640☒
A512/140 A	NGA5120140HS0CA☒	5316☒	4435☒	3060☒	2489☒	2087☒	1538☒	1133☒	934☒	709☒
A512/200 A	NGA5120200HS0CA☒	6786☒	5736☒	4142☒	3369☒	2825☒	2081☒	1533☒	1264☒	959☒

1.60 Vpc ☒ Discharge in W/block at 20 °C

Type	Part number	3 min	5 min	10 min	15 min	20 min	30 min	45 min	1 h	1.5 h
A502/10 S	NGA5020010HS0SA☒	73.0☒	63.0☒	48.0☒	38.0☒	31.0☒	23.0☒	17.0☒	14.0☒	10.0☒
A504/3.5 S	NGA50403D5HS0SA☒	59.0☒	46.0☒	32.0☒	25.0☒	20.0☒	15.0☒	12.0☒	9.00☒	7.00☒
A506/1.2 S	NGA50601D2HS0SA☒	29.2☒	23.1☒	14.8☒	11.3☒	9.50☒	7.10☒	5.20☒	4.20☒	3.10☒
A506/3.5 S	NGA50603D5HS0SA☒	89.0☒	69.0☒	47.0☒	37.0☒	31.0☒	23.0☒	18.0☒	14.0☒	10.0☒
A506/6.5 S	NGA50606D5HS0SA☒	168☒	132☒	92.0☒	70.0☒	59.0☒	43.0☒	31.0☒	25.0☒	18.0☒
A506/10 S	NGA5060010HS0SA☒	218☒	190☒	144☒	115☒	94.0☒	68.0☒	52.0☒	42.0☒	30.0☒
A508/3.5 S	NGA50803D5HS0SA☒	119☒	93.0☒	63.0☒	49.0☒	41.0☒	30.0☒	24.0☒	19.0☒	13.0☒
A512/1.2 S	NGA51201D2HS0SA☒	58.4☒	46.2☒	29.7☒	22.5☒	19.0☒	14.2☒	10.5☒	8.40☒	6.20☒
A512/2 S	NGA5120002HS0SA☒	106☒	84.0☒	55.0☒	42.0☒	34.0☒	25.0☒	19.0☒	15.0☒	11.0☒
A512/3.5 S	NGA51203D5HS0SA☒	178☒	139☒	95.0☒	74.0☒	61.0☒	45.0☒	36.0☒	28.0☒	20.0☒
A512/6.5 S	NGA51206D5HS0SA☒	336☒	264☒	184☒	140☒	118☒	86.0☒	62.0☒	50.0☒	36.0☒
A512/10 S	NGA5120010HS0SA☒	437☒	381☒	287☒	231☒	188☒	136☒	104☒	85.0☒	61.0☒
A512/16 G5	NGA5120016HS0BA☒	783☒	621☒	426☒	338☒	289☒	214☒	162☒	128☒	92.0☒
A512/25 G5	NGA5120025HS0BA☒	908☒	725☒	514☒	403☒	339☒	256☒	189☒	153☒	113☒
A512/30 G6	NGA5120030HS0BA☒	1393☒	1121☒	755☒	576☒	474☒	352☒	276☒	218☒	156☒
A512/40 A	NGA5120040HS0CA☒	1577☒	1299☒	923☒	735☒	603☒	449☒	334☒	266☒	192☒
A512/55 A	NGA5120055HS0CA☒	2107☒	1800☒	1231☒	957☒	851☒	645☒	498☒	395☒	285☒
A512/60 A	NGA5120060HS0CA☒	2680☒	2279☒	1439☒	1104☒	963☒	719☒	522☒	410☒	293☒
A512/65 A	NGA5120065HS0CA☒	2315☒	1976☒	1443☒	1183☒	987☒	754☒	584☒	468☒	342☒
A512/85 A	NGA5120085HS0CA☒	3264☒	2923☒	2190☒	1700☒	1427☒	1069☒	804☒	648☒	477☒
A512/115 A	NGA5120115HS0CA☒	4467☒	3755☒	2665☒	2073☒	1750☒	1306☒	985☒	780☒	560☒
A512/120 A	NGA5120120HS0CA☒	5135☒	4156☒	2812☒	2276☒	1906☒	1403☒	1032☒	852☒	646☒
A512/140 A	NGA5120140HS0CA☒	5631☒	4606☒	3117☒	2522☒	2113☒	1555☒	1144☒	945☒	716☒
A512/200 A	NGA5120200HS0CA☒	7189☒	5957☒	4218☒	3413☒	2860☒	2104☒	1548☒	1279☒	969☒

¹ Discharge data are also valid for other terminals/containers.



Exide Technologies, with operations in more than 80 countries, is one of the world's largest producers and recyclers of lead-acid batteries. Exide Technologies provides a comprehensive and customized range of stored electrical energy solutions. Based on over 120 years of experience in the development of innovative technologies, Exide Technologies is an esteemed partner of OEMs and serves the spare parts market for industrial and automotive applications.

GNB Industrial Power – A division of Exide Technologies – offers an extensive range of storage products and services, including solutions for telecommunication systems, railway applications, mining, photovoltaic (solar energy), uninterrupted power supply (UPS), electrical power generation and distribution, fork lifts and electric vehicles.

Exide Technologies takes pride in its commitment to a better environment. An integrated approach to manufacturing, distributing and recycling of lead-acid batteries has been developed to ensure a safe and responsible life cycle for all of its products.

EXIDE Distributionscenter Berlin
ELEKTRO.TEC GmbH
 Eichborndamm 129-139
 D-13403 Berlin

Tel.: 030/4111024
 Fax: 030/4111025

www.elektrotec-berlin.de

GNB® INDUSTRIAL POWER devises enduring energy concepts that convince with efficiency, reliability and profitability.

info@elektrotec-berlin.de