



EAN code  
 DA3-22M: 8595188132626  
 DA3-22M/120V: 8595188133036

## Technical parameters

### DA3-22M

#### Inputs

Input:	2x inputs, switching potential L*
Temperature measuring:	YES, input for external thermo sensor TC/TZ
Scope and accuracy of temp. measurement:	-20 to +120°C; 0.5°C from the range
Number of control buttons:	2x buttons 4x potentiometers on front panel

#### Outputs

Output:	2 contactless outputs, 2x MOSFET
Load type:	resistive, inductive, capacitive**, LED, ESL
Isolation bus CIB separated from all internal circuits:	reinforced Insulation (Cat. II surges by EN 60664-1)
Isolation voltage between particular power:	max. 500 V AC
Minimal controlled load:	10 VA
Maximal controlled load:	DA3-22M (230V): 400 VA for each channel DA3-22M/120V: 200 VA for each channel
Output indication ON/OFF:	2x yellow LED
Device protection:	thermal / short-term overload / long-term overload

#### Communication

Installation BUS:	CIB
-------------------	-----

#### Power supply

Supply voltage by CIB / tolerance:	27 V DC, -20 / +10 %
Rated current:	5 mA (at 27V DC), from CIB BUS
Status indication unit:	green LED RUN
DA3-22M	
Supply voltage for power section / tolerance:	AC 230V (50Hz), -15 / +10 %
DA3-22M/120V	
Supply voltage for power section / tolerance:	AC 120V (60Hz), -15 / +10 %

#### Connection

Terminal:	max. 2.5 mm <sup>2</sup> /1.5 mm <sup>2</sup> with sleeve
-----------	---

#### Operating conditions

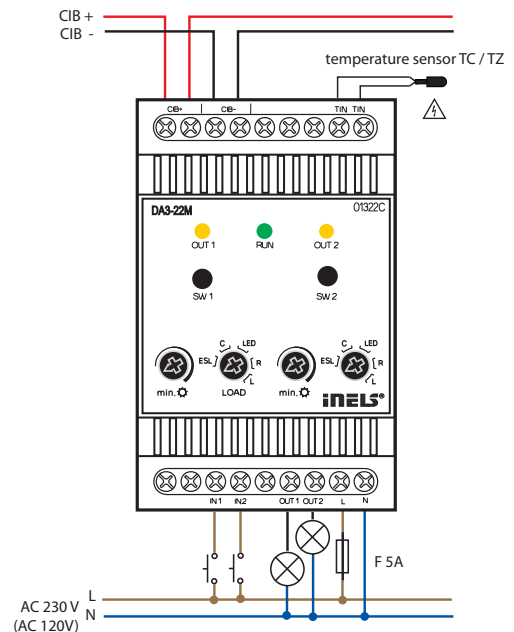
Air humidity:	max. 80 %
Operating temperature:	-20 to +35 °C
Storing temperature:	-30 to +70 °C
Protection degree:	IP 20 device, IP 40 mounting in the switchboard
Overvoltage category:	II.
Pollution degree:	2
Operating position:	vertical
Installation:	switchboard on DIN rail EN 60715
Design:	3-MODULE

#### Dimensions and weight

Dimensions:	90 x 52 x 65 mm
Weight:	170 g

- DA3-22M is a universal dimming 2-fold actuator enabling control of brightness intensity of dimmable light sources of the type ESL, LED and RLC with power supply 230 V.
- DA3-22M has two MOSFET controlled outputs 230 V AC, maximum load is 2x 400 VA.
- Option of connecting an external temperature sensor.
- Each output channel is independently controllable and addressable.
- Type of light source is set by a switch on the front panel.
- By setting the min. brightness potentiometer on the front panel, flashing of different types of light sources is eliminated.
- DA3-22M is equipped with two inputs 230 V AC, which can be controlled by mechanical switches (buttons, relays). Inputs are galvanically connected to potential L, which is permanently at the terminals IN1 and IN2.
- Buttons on the front panel, you can manually switch on or off the corresponding output.
- Electronic overcurrent and thermal protection - switch off output in case of overload short circuit and overheating.
- During installation, it is necessary to leave on each side of the actuator at least half the module space for better cooling.
- DA3-22M in 3-MODULE version is designed for mounting into a switchboard on DIN rail EN60715.

#### Connection



#### Types of connectable loads

type of source	symbol	description
R resistive		ordinary light bulb, halogen lamp
L inductive		coiled transformer for low-voltage halogen lamps
C capacitive		electronic transformer for low-voltage halogen lamps
LED		LED lamps and LED light sources, 230 V
ESL		dimmable energy-saving fluorescent tubes

\* The inputs are not galvanically isolated from the supply voltage.

\*\* Attention: It is not allowed to connect loads of inductive and capacitive character, at the same time.

⚠ Input is connected to the mains voltage potential.