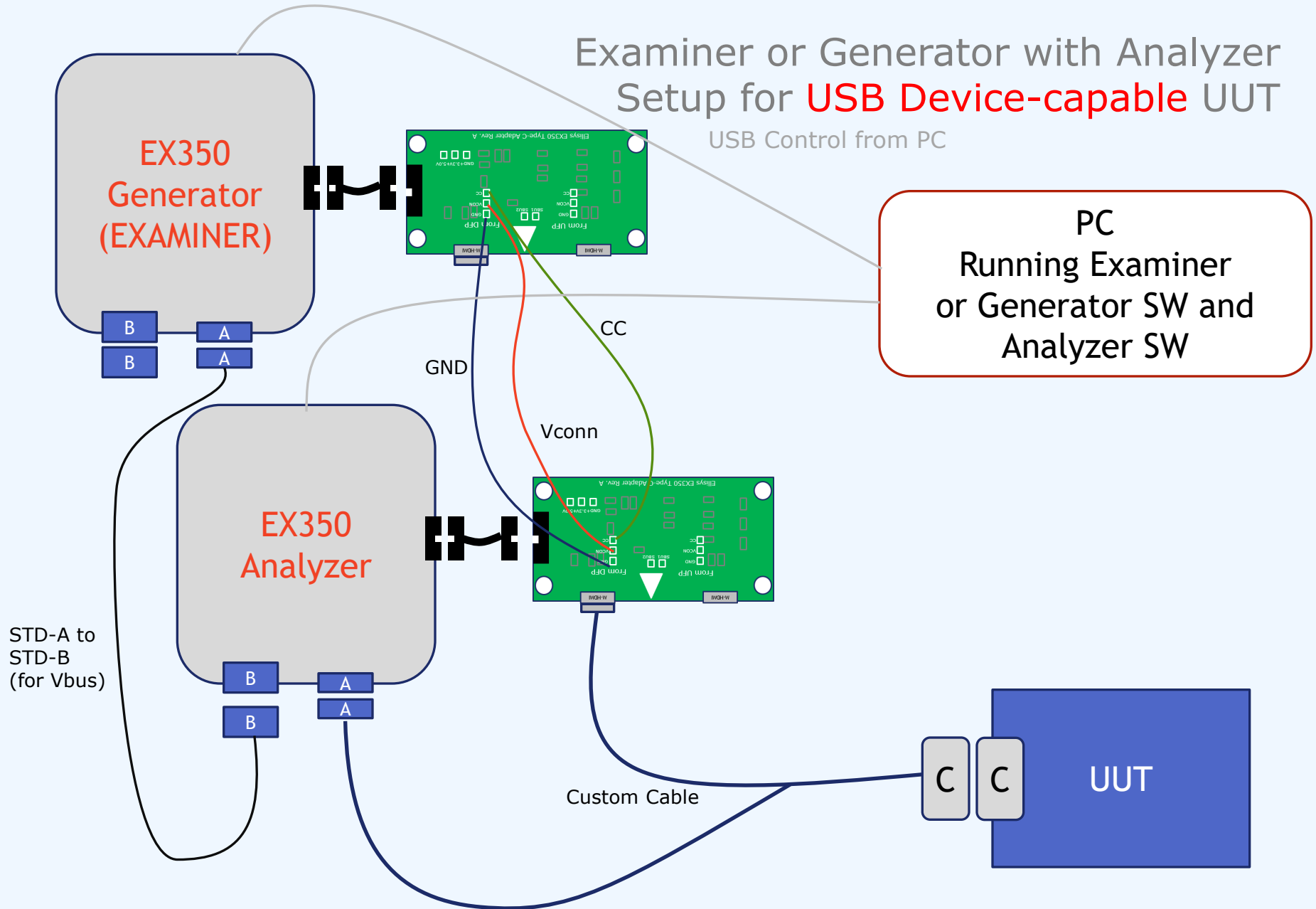
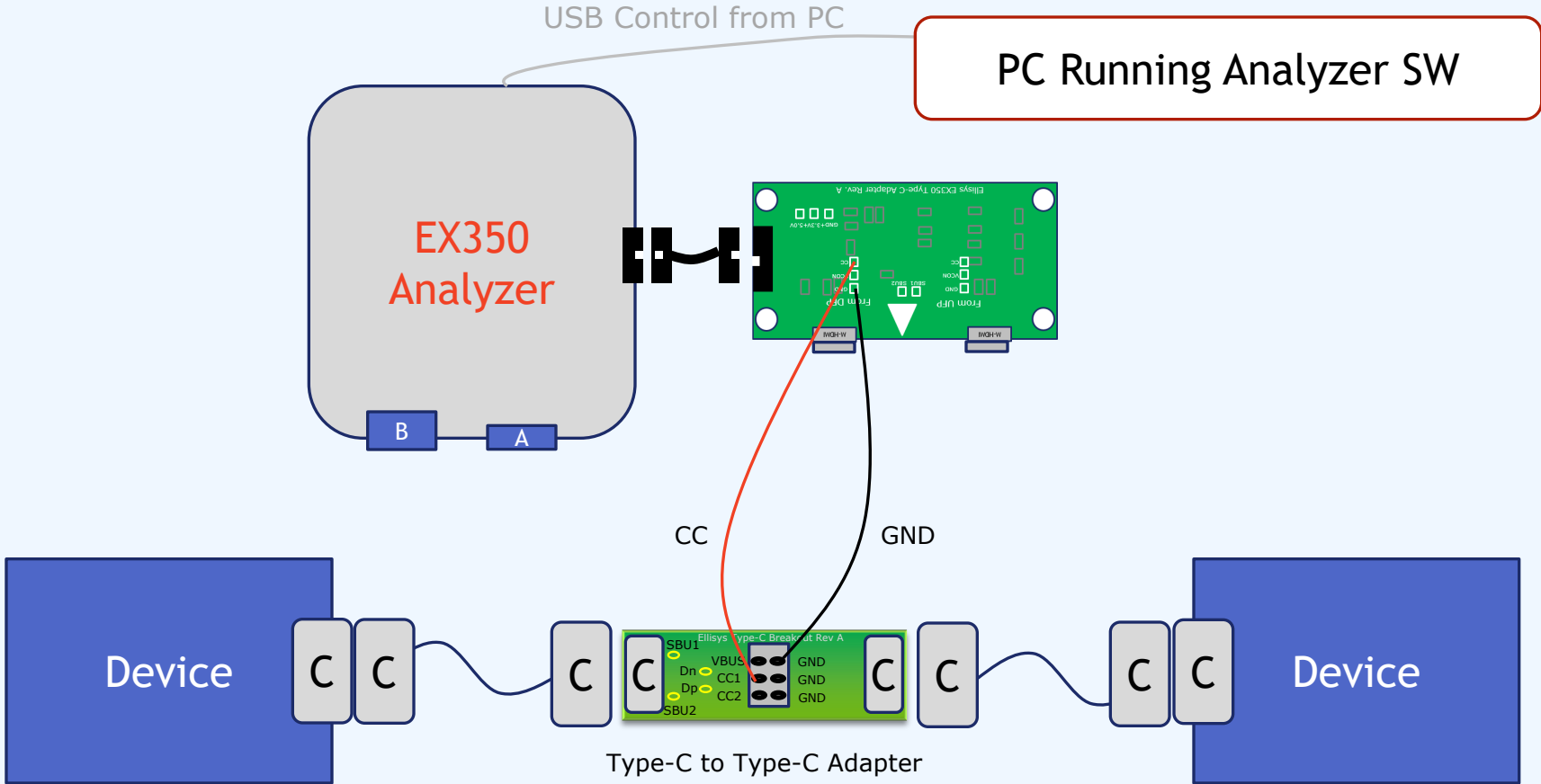


Examiner or Generator with Analyzer Setup for USB Device-capable UUT

USB Control from PC

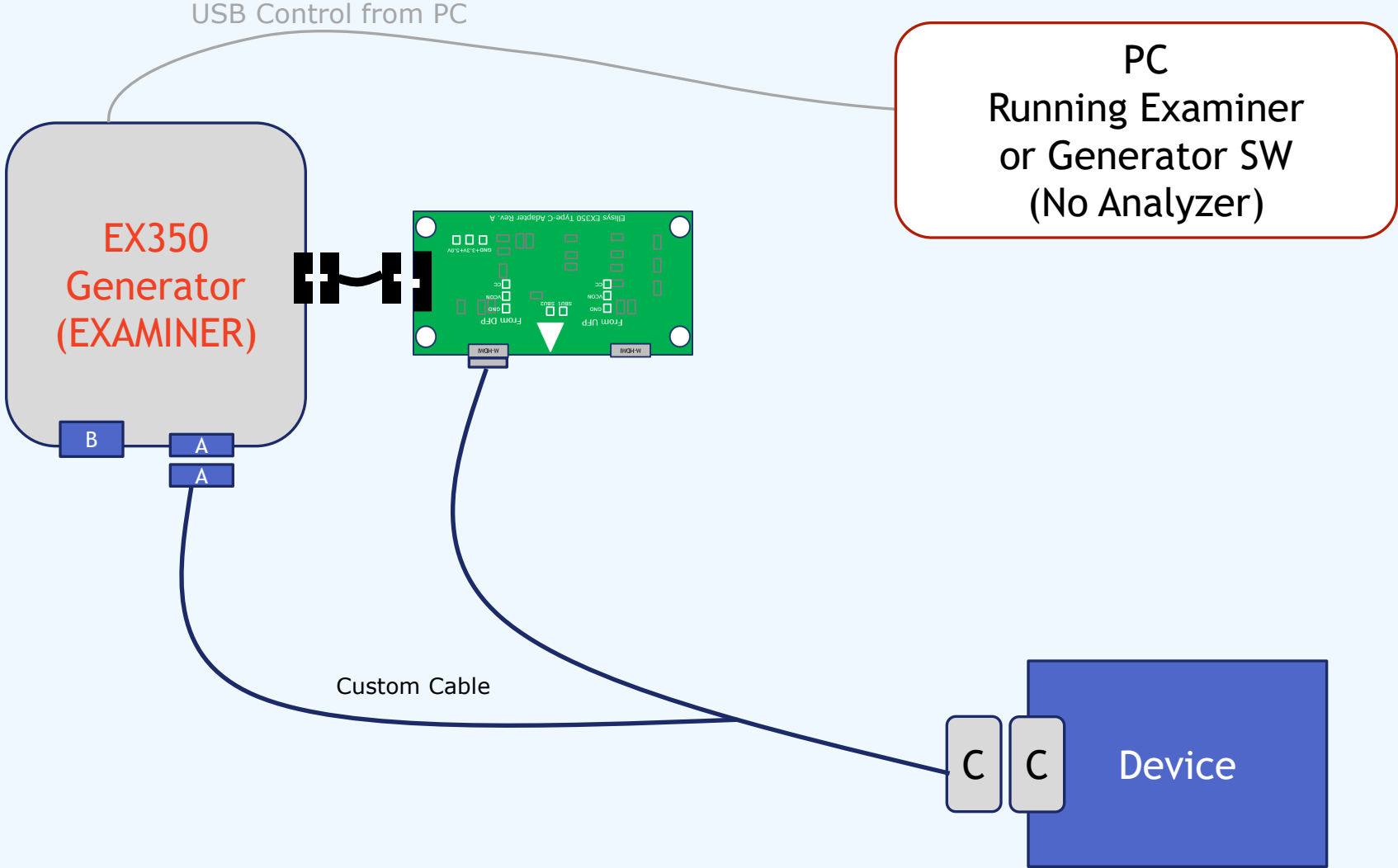


Alternate Approach for Analyzer

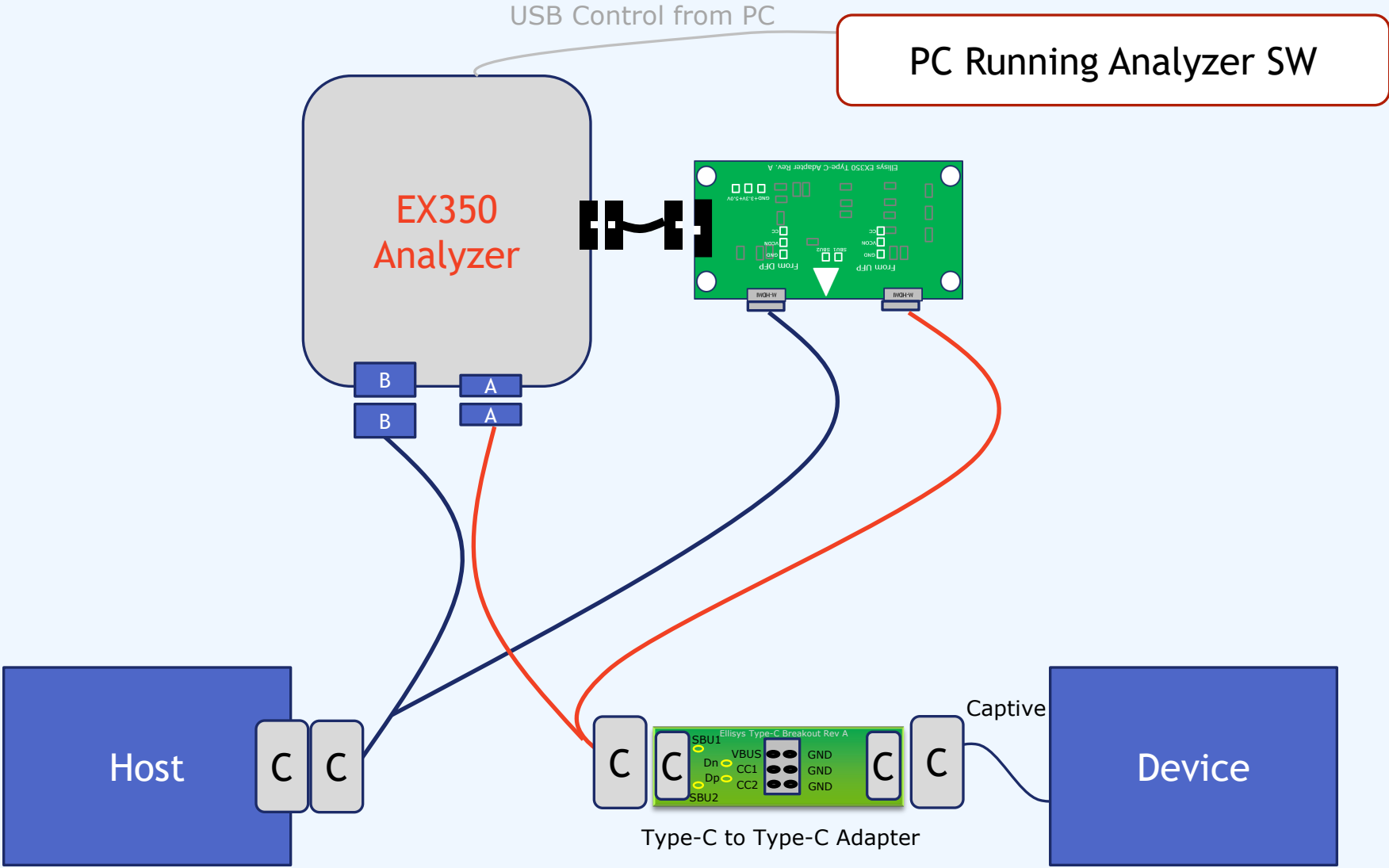


Info: orientation must be determined manually

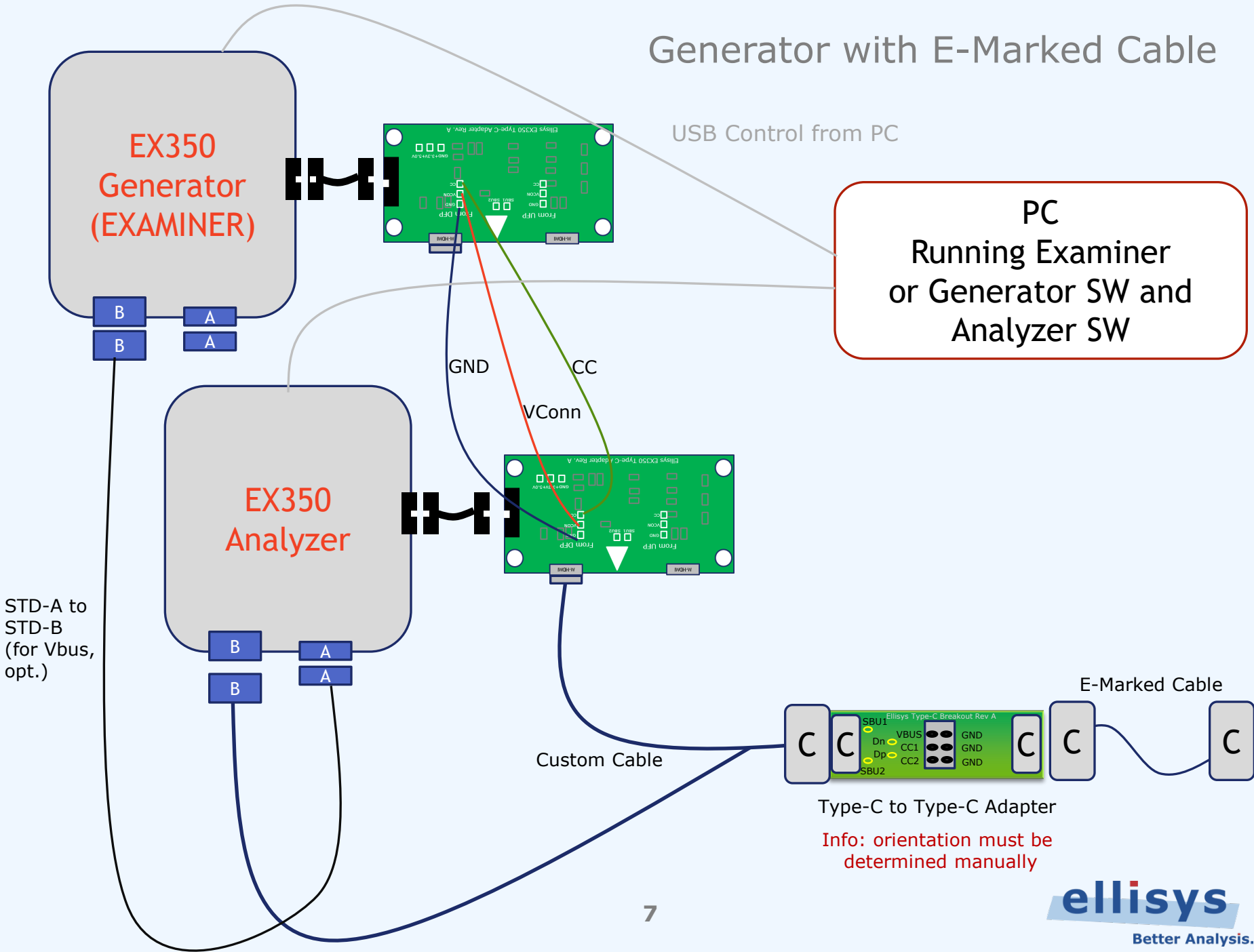
Examiner or Generator (without Analyzer)



Captive Cable Approach



Generator with E-Marked Cable



Analyzer Passive Tapping to Board UUT

