

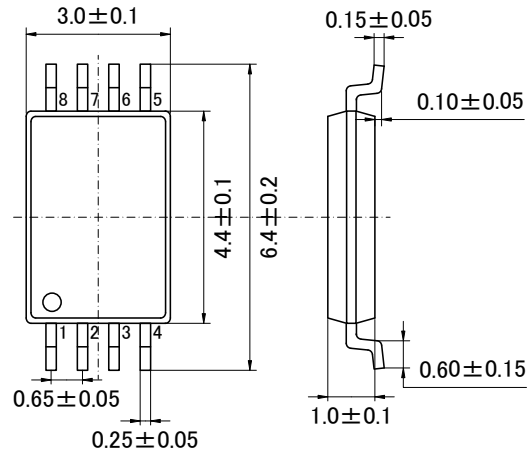
Package, Reel, Taping

(MOSFET)

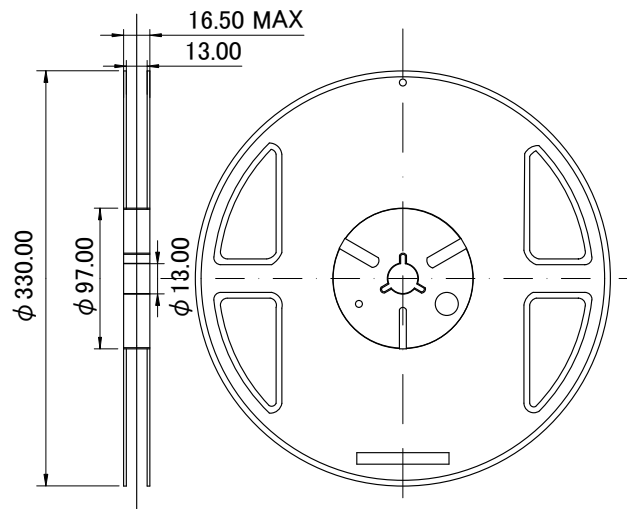
TSSOP-8 (3,000 pcs/reel)

Unit : mm

• Package



• Reel



• Taping

