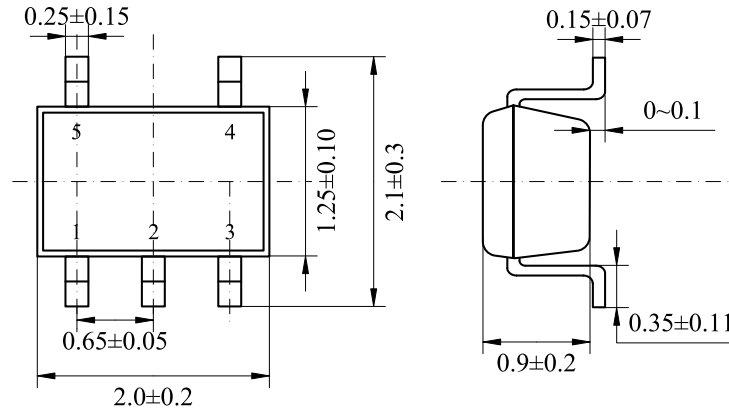


# Package, Reel, Taping

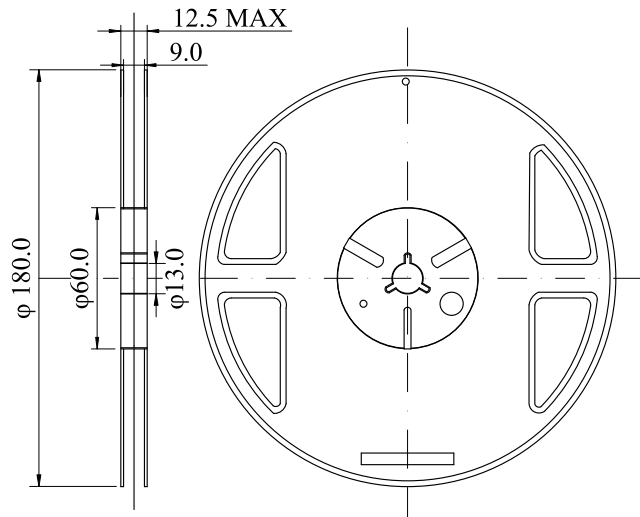
SC-70-5(SOT-353) (3,000pcs/reel)

Unit : mm

• Package



• Reel



• Taping

