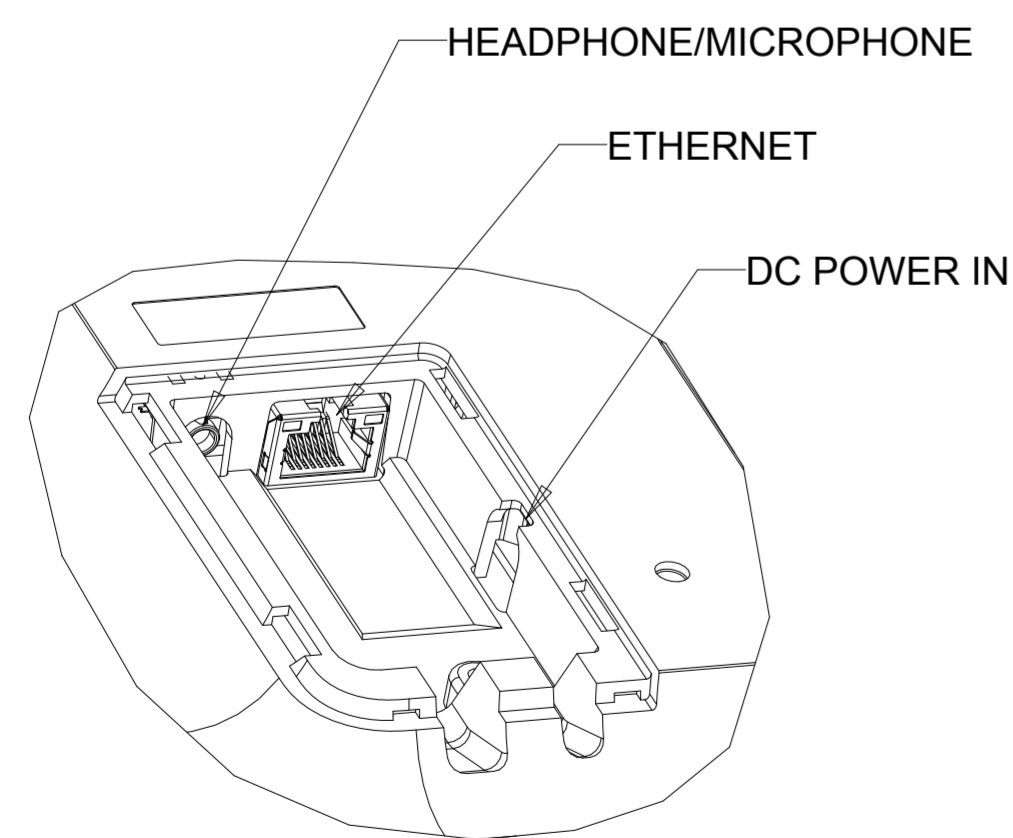
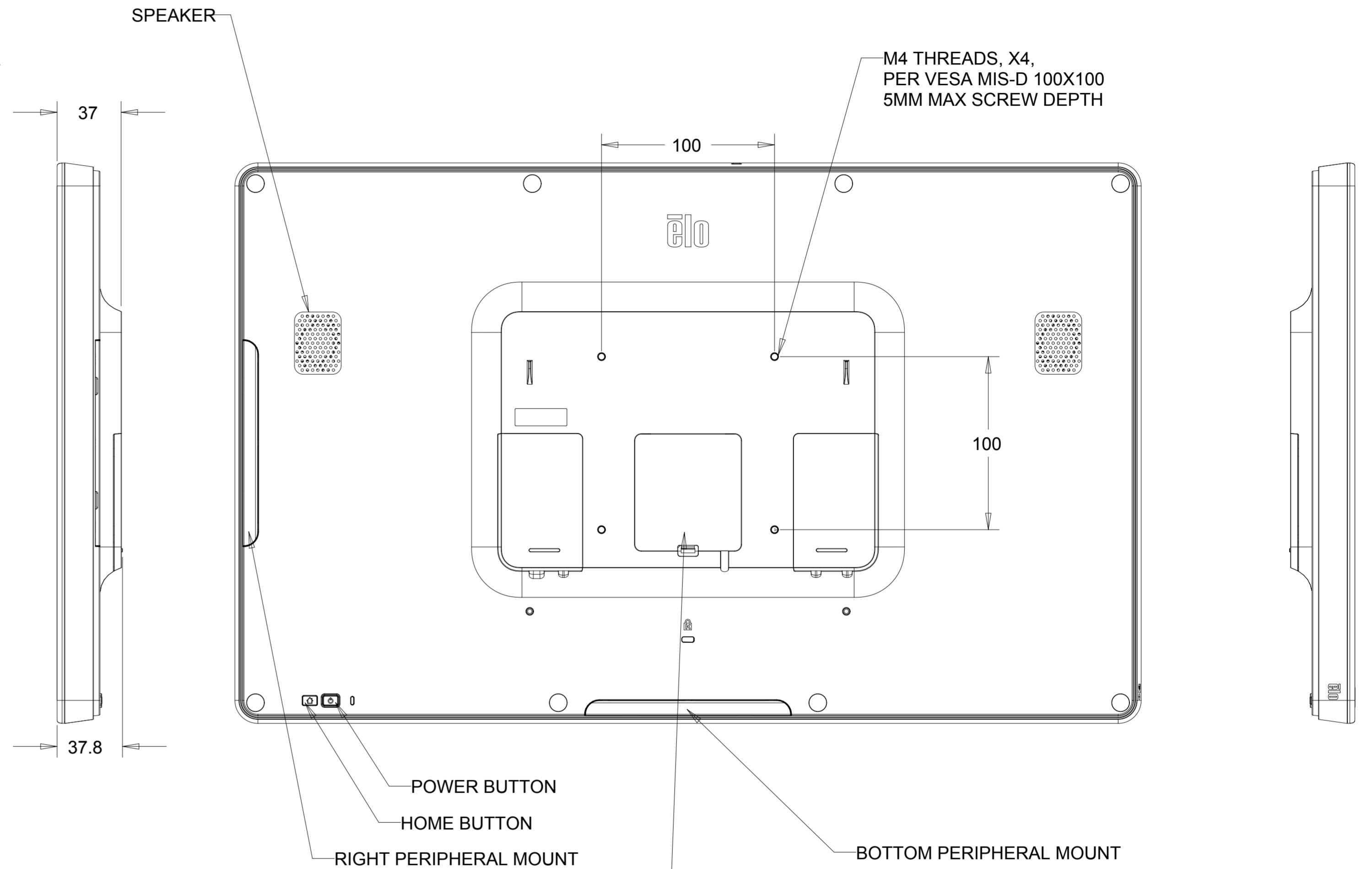
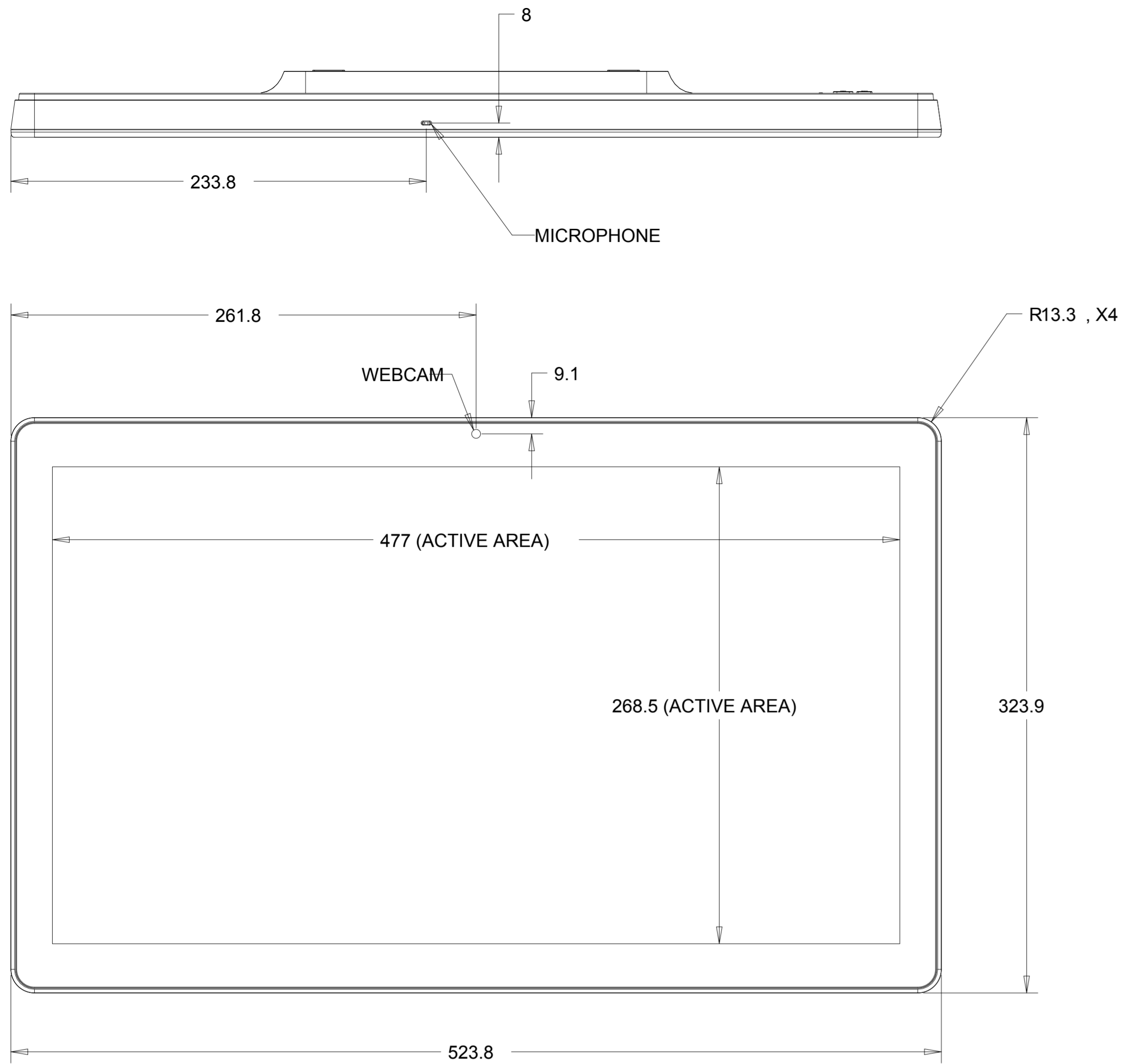
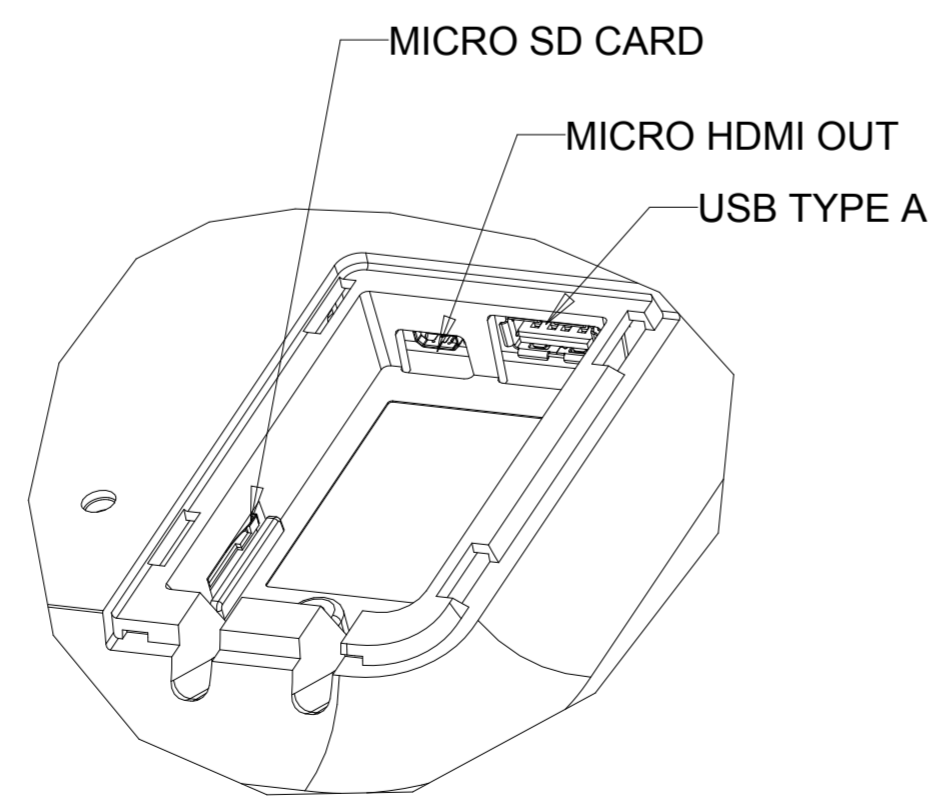


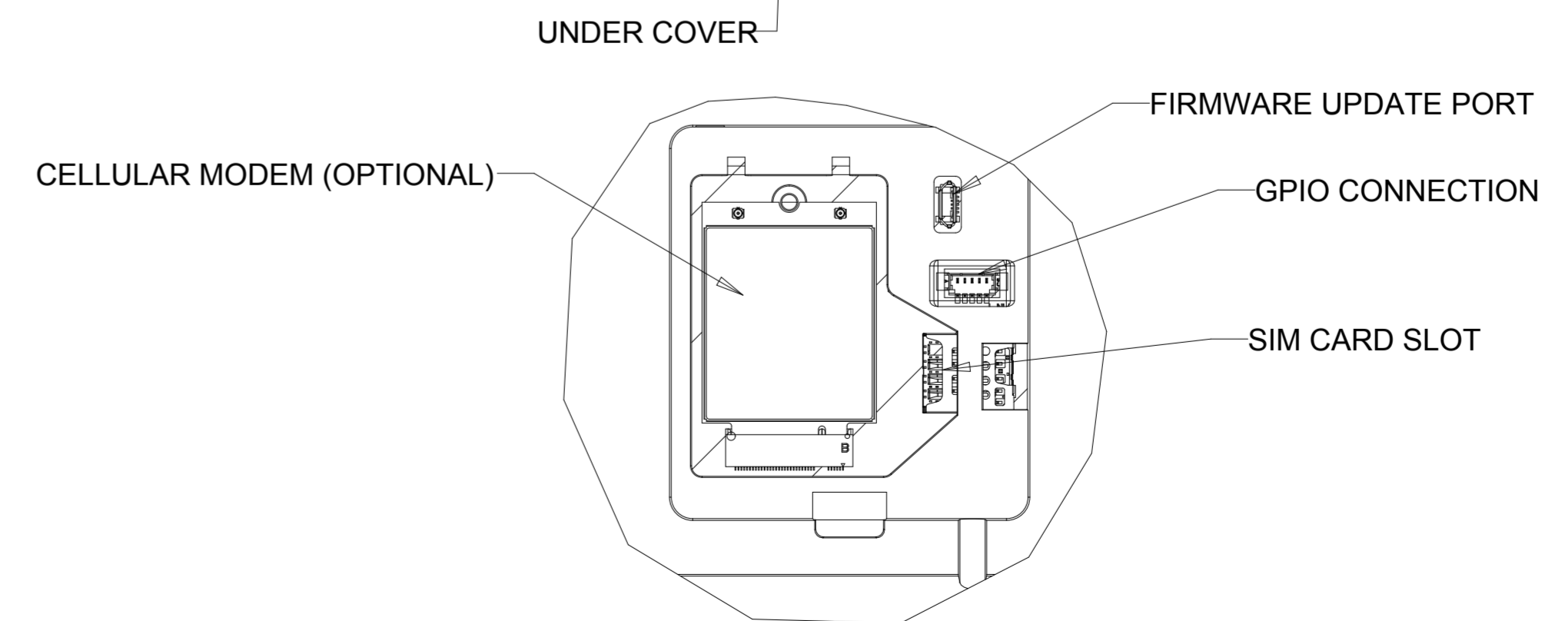
DIMENSIONAL DRAWING: 22IN AAIO



SCALE 1.000

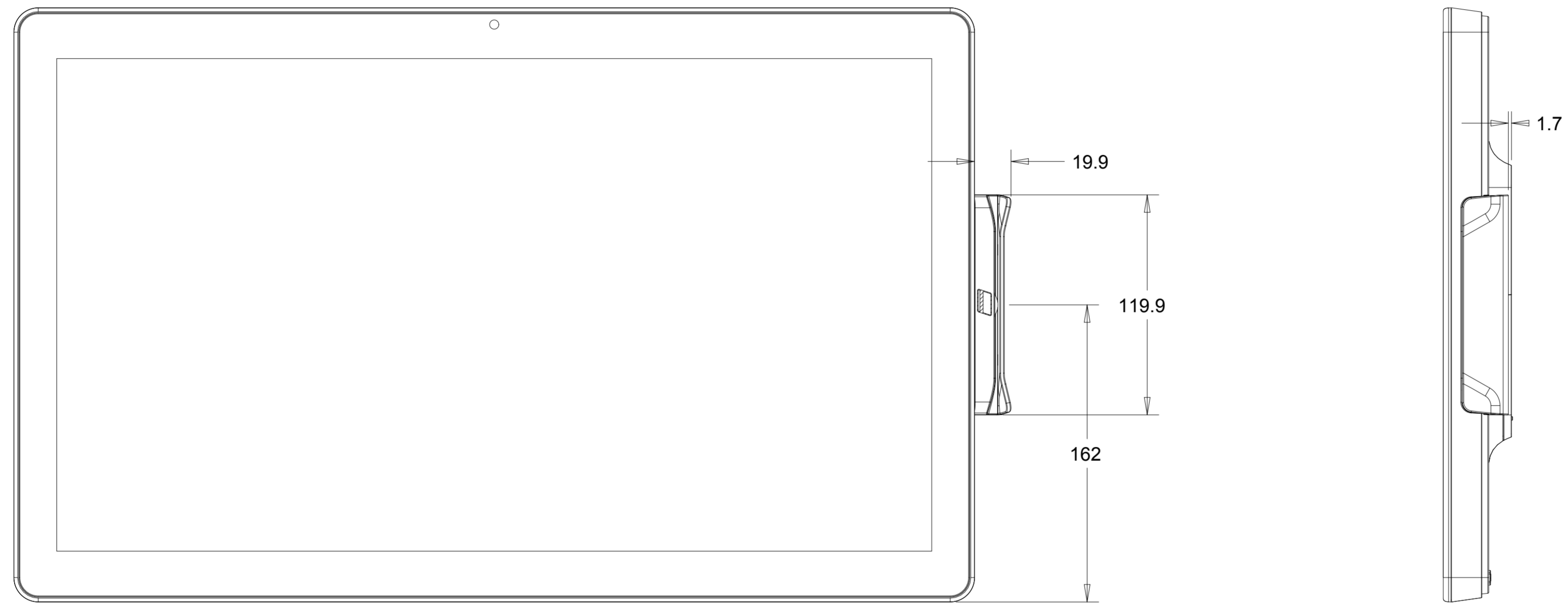


SCALE 1.000

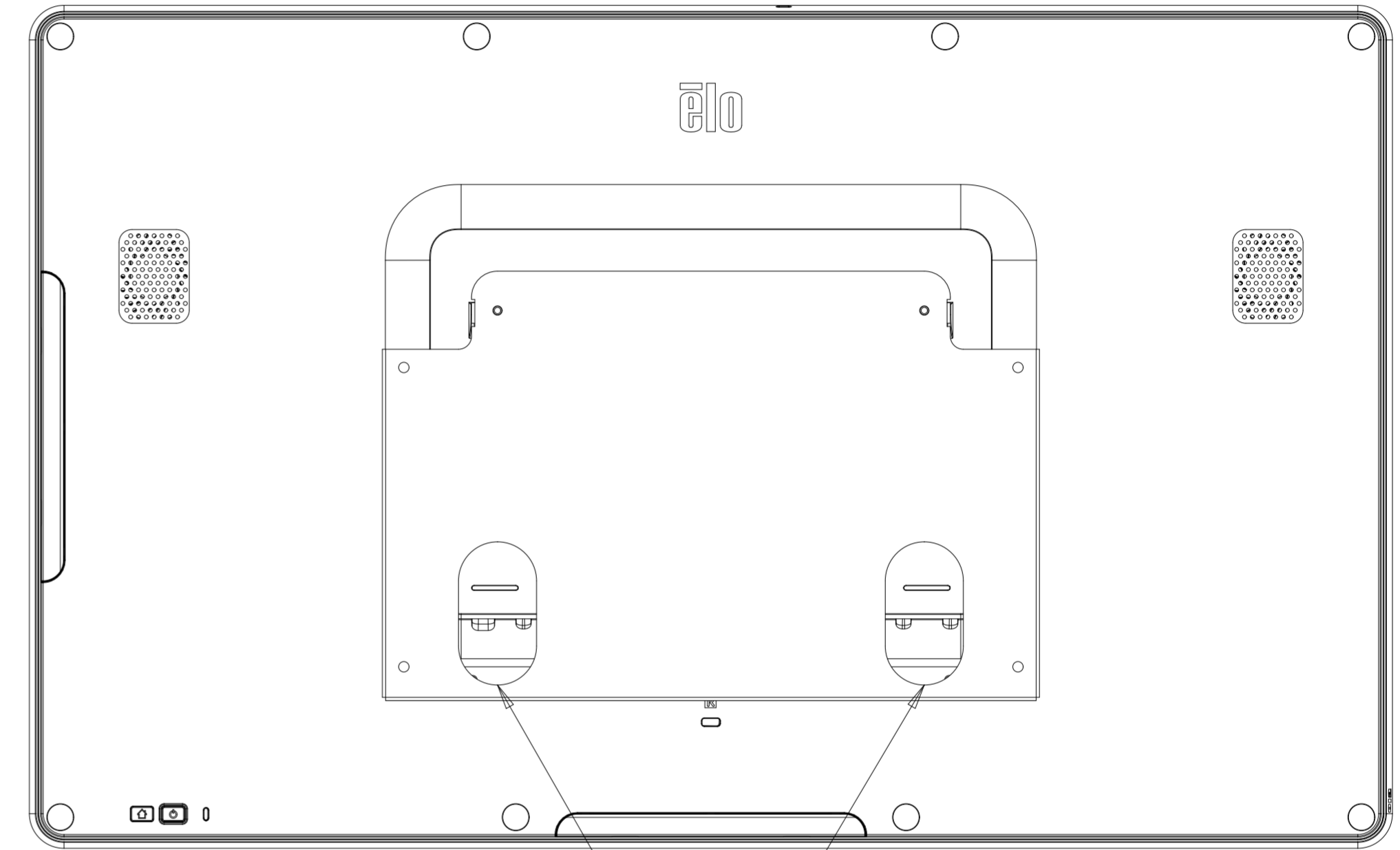
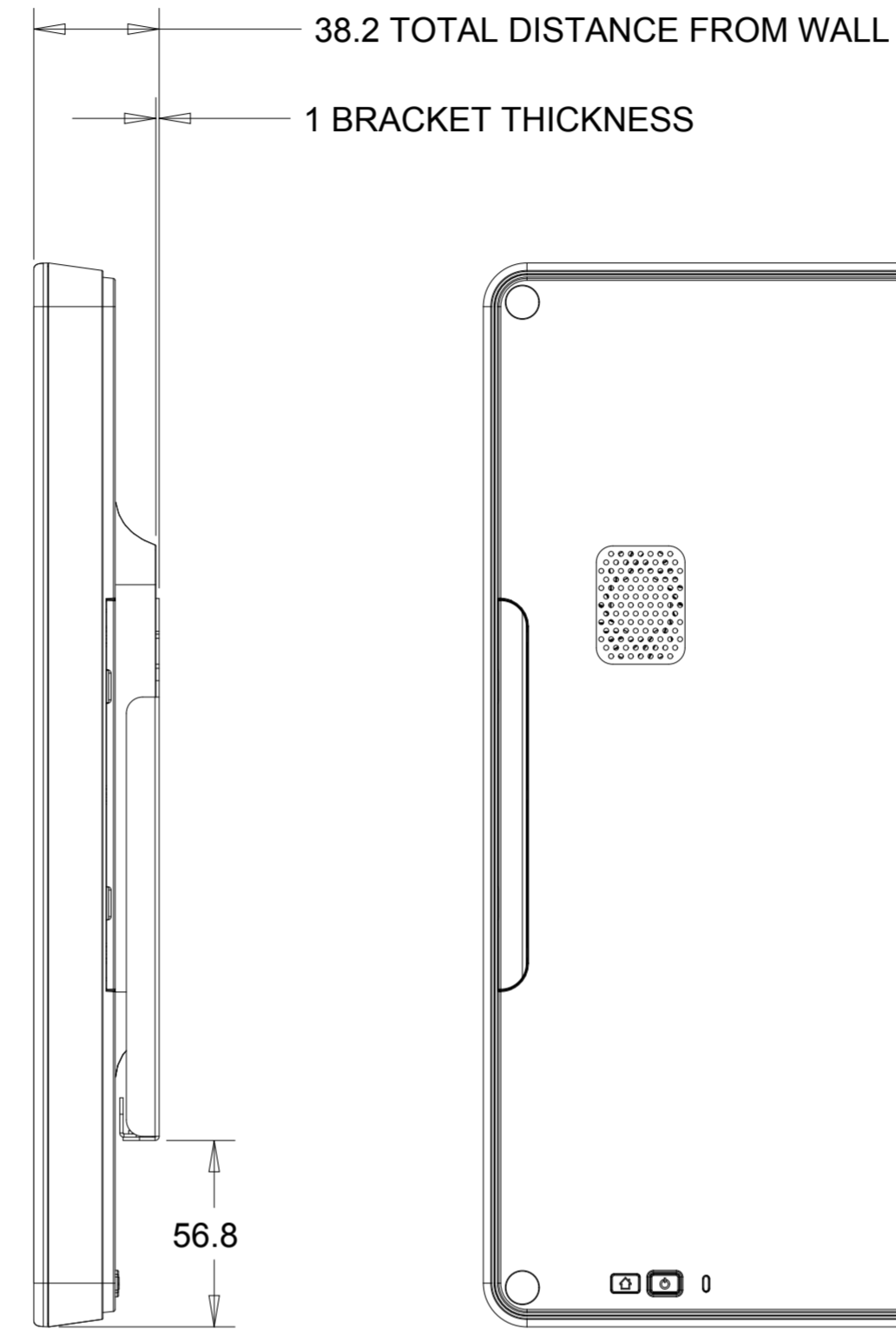
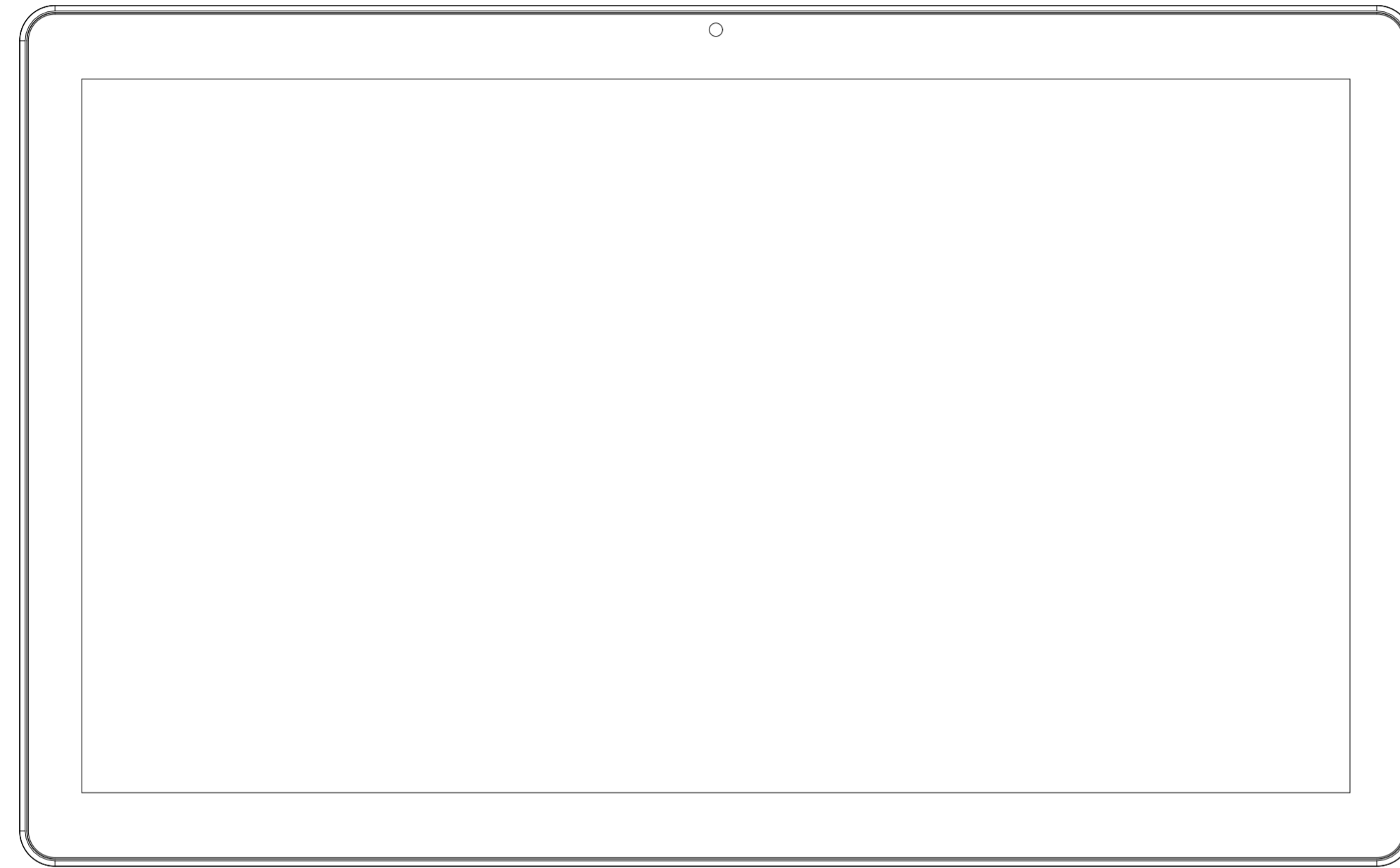


SCALE 1.000

OPTIONAL MSR KIT P/N E001002

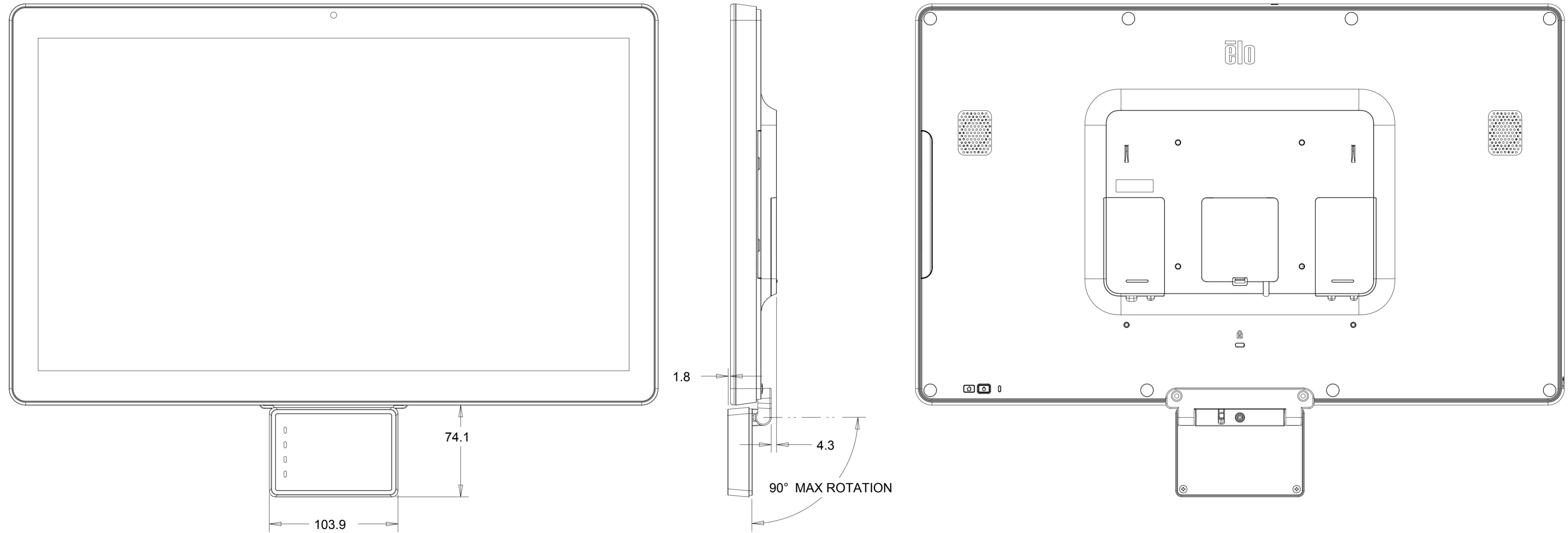


OPTIONAL LOW PROFILE WALLMOUNT KIT P/N: E160680

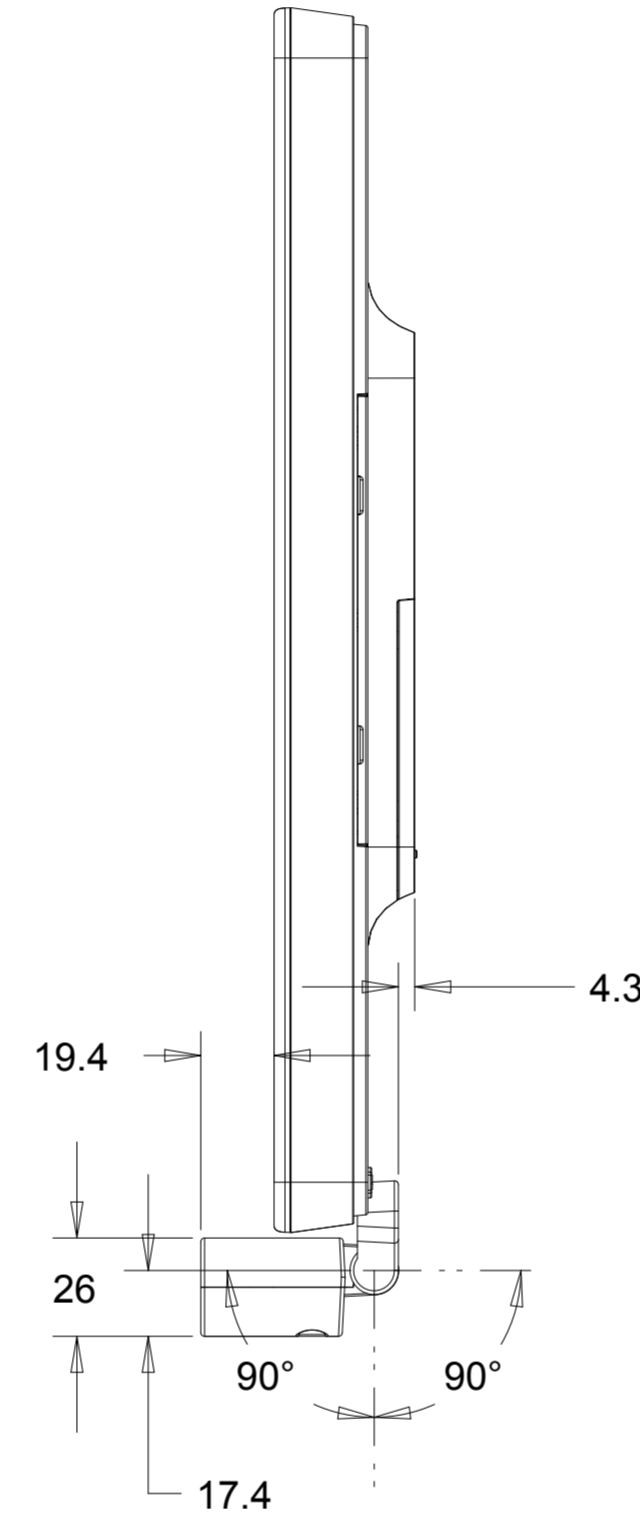
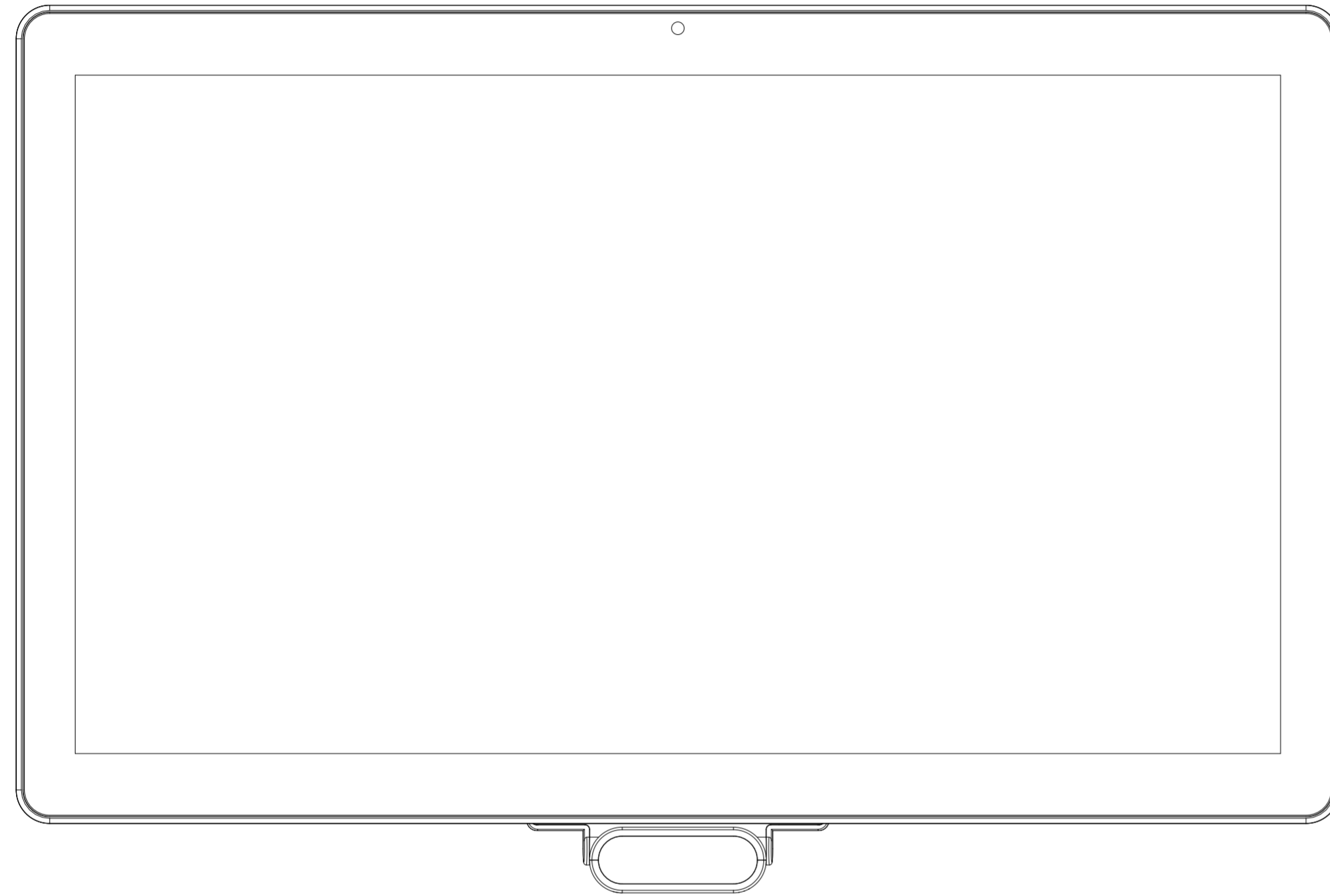


HOLES MUST BE DRILLED IN WALL
TO ALLOW CABLES TO PASS THROUGH BRACKET

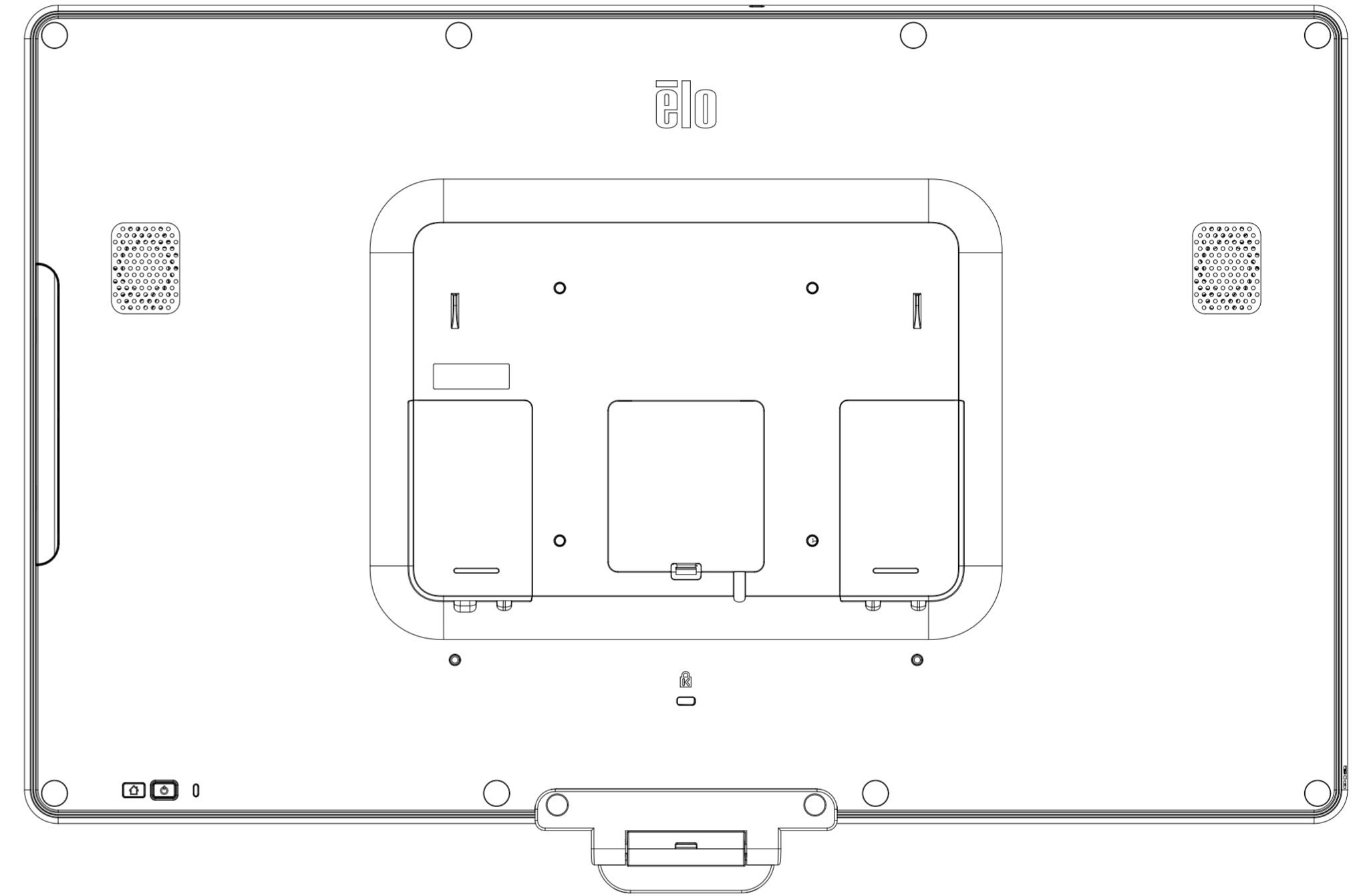
OPTIONAL NFC ADAPTER KIT P/N: E001004



OPTIONAL BARCODE SCANNER KIT P/N: E093433



MAX SCANNER HEAD ROTATION = 180 DEGREES



OPTIONAL STAND KIT P/N: E044356

