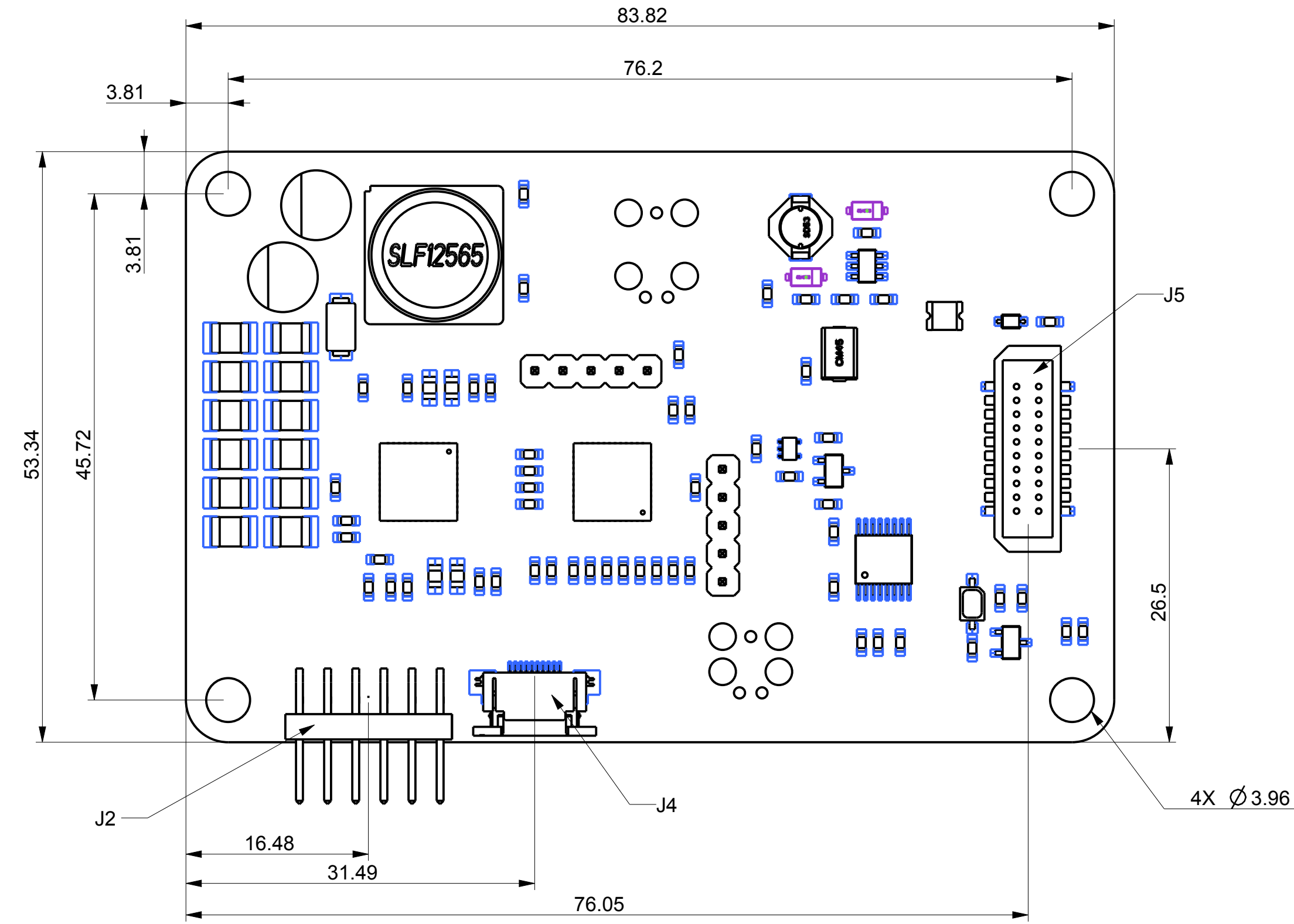
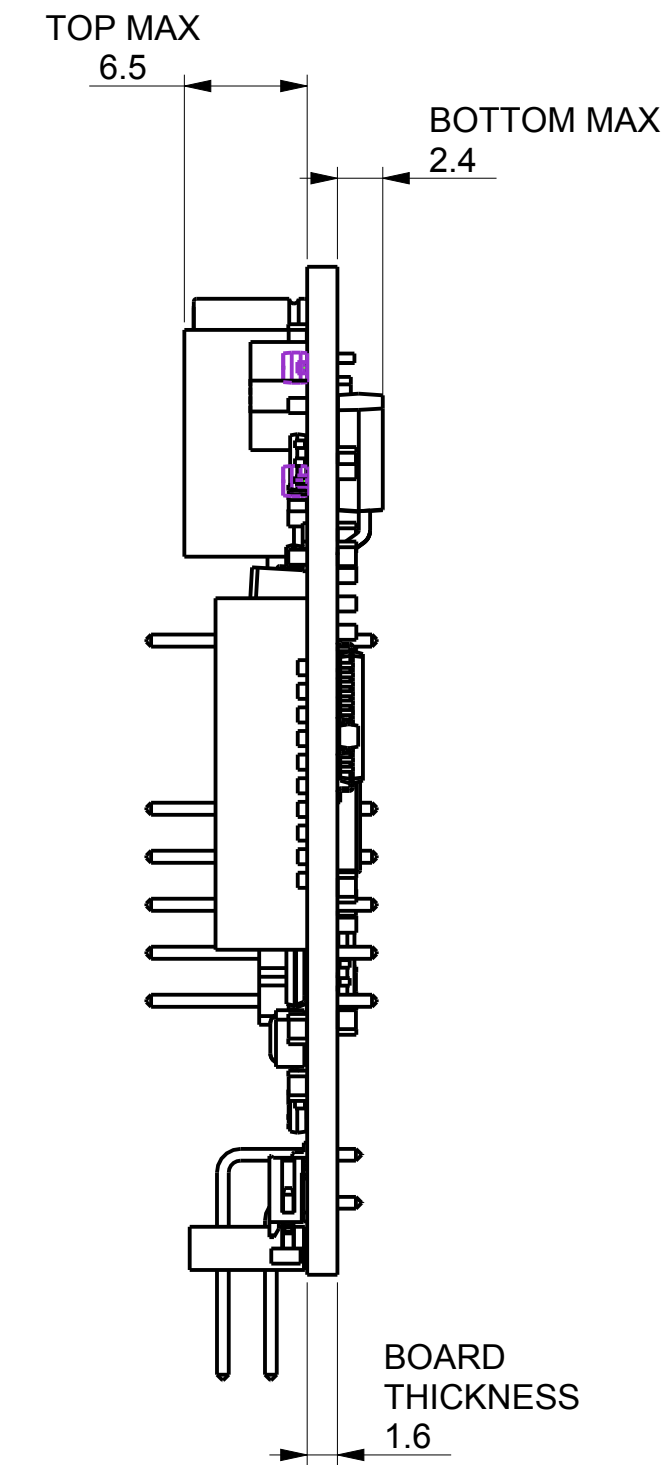


PROPRIETARY TO ELO TOUCH SOLUTIONS INC. AND SHALL NOT BE DISCLOSED
OTHER THAN TO NECESSARY EMPLOYEES OR SUPPLIERS WITHOUT THE
EXPRESS WRITTEN CONSENT OF ELO TOUCH SOLUTIONS INC.

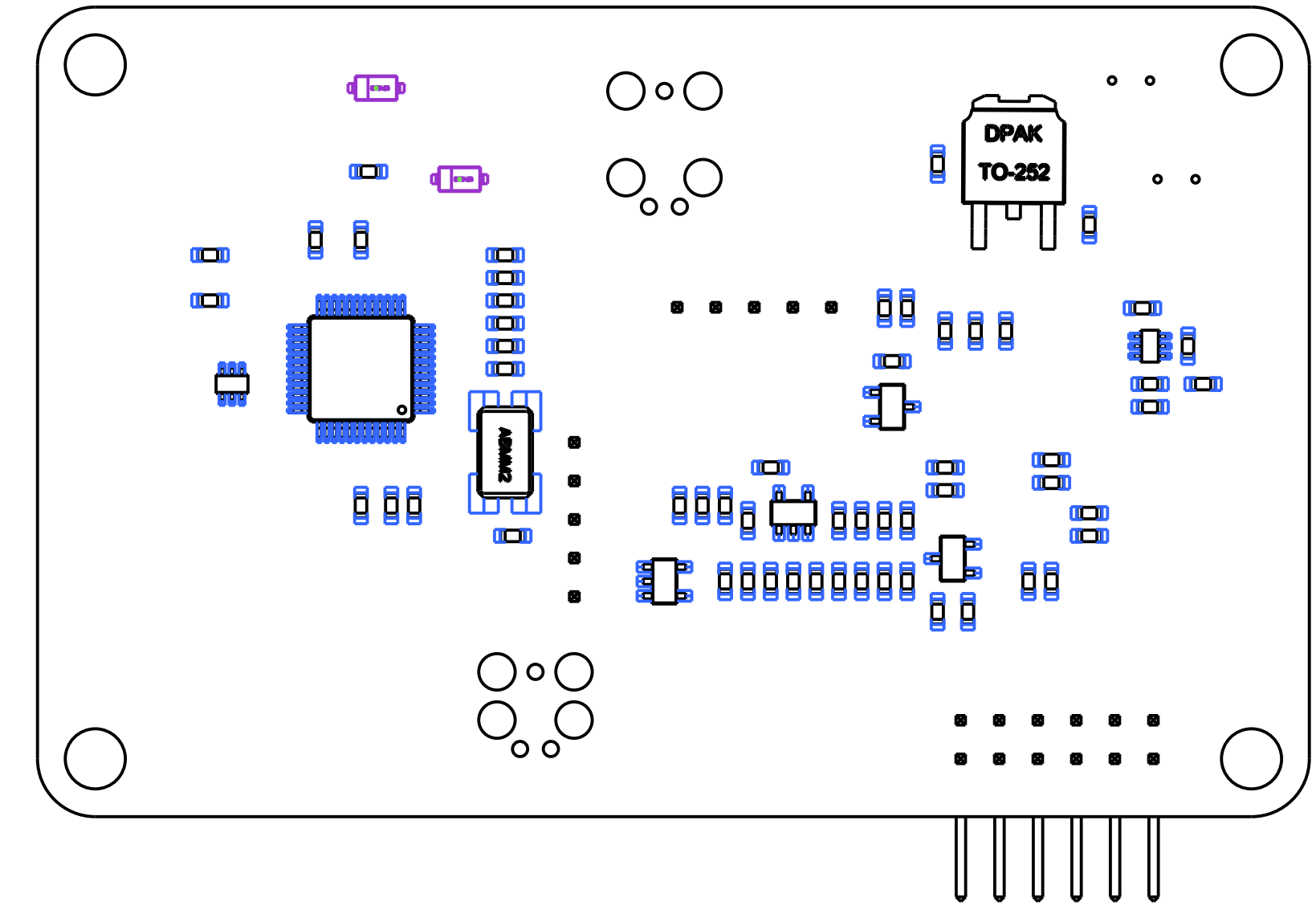
REVISIONS					
REV	ZONE	BY	DESCRIPTION	DATE	APPROVED
A	--	HJ	INITIAL RELEASE	00.00.00	NM



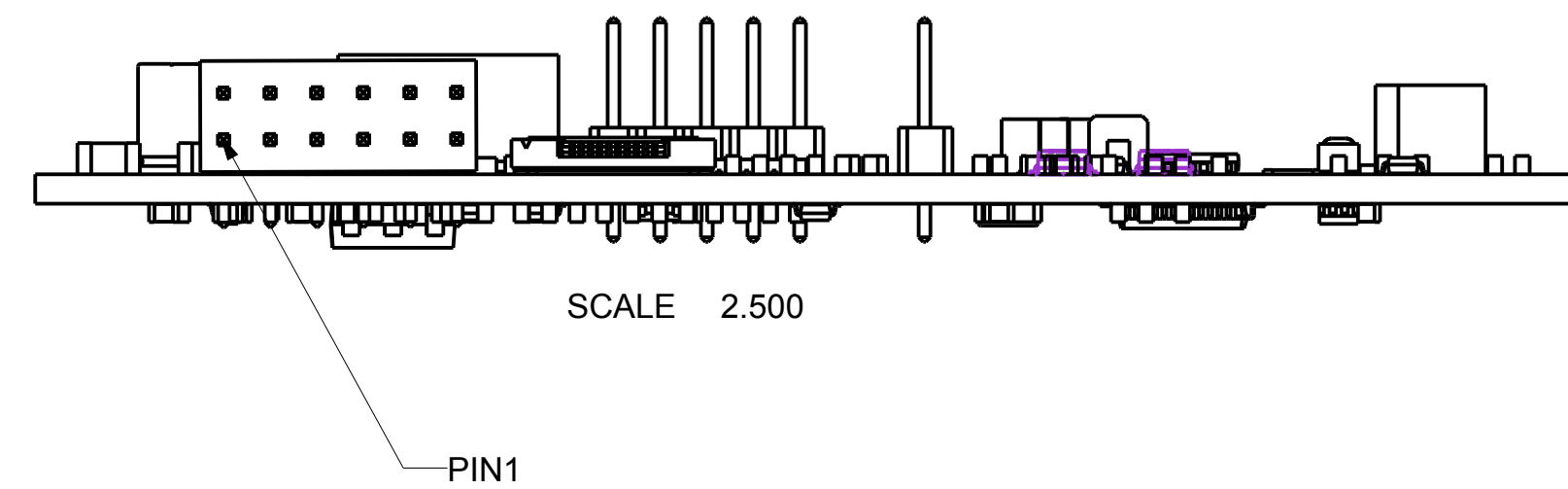
SCALE 2.500
- TOP VIEW -



SCALE 2.500

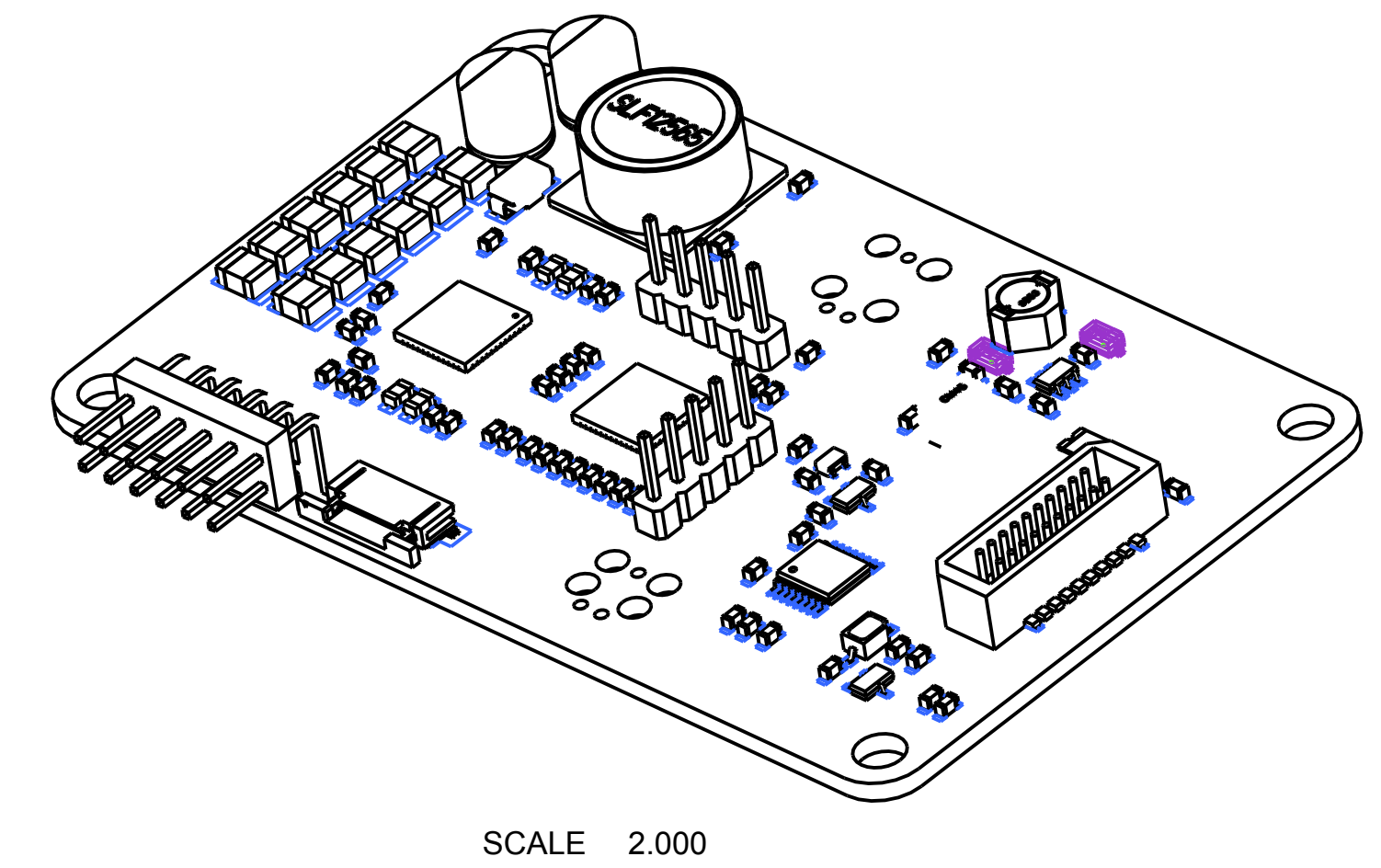


SCALE 2.500
- BOTTOM VIEW -



SCALE 2.500

SAW CABLE CONNECTOR J2 PIN INFORMATION	
PIN NUMBER	SIGNAL FUNCTION
1	GND
2	NC
3	YPIN
4	YOUTA
5	YNIN
6	YOUTB
7	GND
8	XOUTB
9	XNIN
10	XOUTA
11	XPIN
12	NC



SCALE 2.000

ITEM NO.	QTY REQD	DRAWING OR PART NO.	DESCRIPTION	MATERIAL SPECIFICATION
PARTS LIST				
PART NO. EXXXXXX	UNLESS OTHERWISE SPECIFIED ALL DIMENSIONS ARE IN MILLIMETERS	DRAWN HJ	DATE 3.15.16	TITLE SAW XRAY CONTROLLER
METRIC	TOLERANCES ARE: DECIMALS ANGLES X = ± 0.50 ±1 / 2 ° X = ± 0.25 FRACTIONS XX = ± 0.13 ±1 / 32	CHECK TERRY	DATE 3.15.16	
DO NOT SCALE DRAWING	THIRD ANGLE PROJECTION	DESIGN DATE	REV 4	
Prof.E. prt/ asm: XRAY_REV2_ASSY.PRT		Prof.E. drw: XRAY_REV4_MS.DRW		SIZE D
SCALE 1.000		SHEET 1 OF 1		DWG. NO. MSXXXXXX

DWG. NO. MSXXXXXX