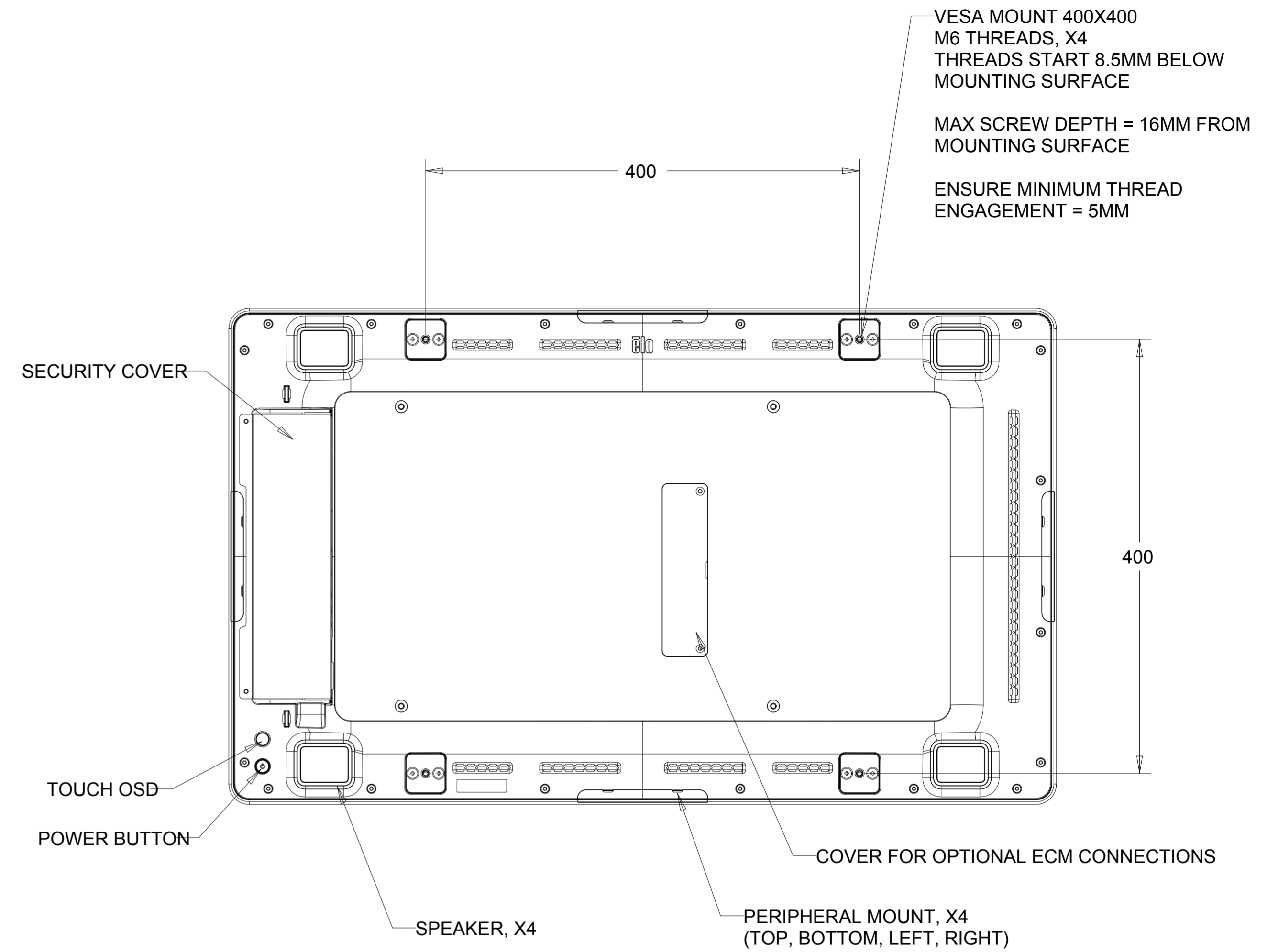
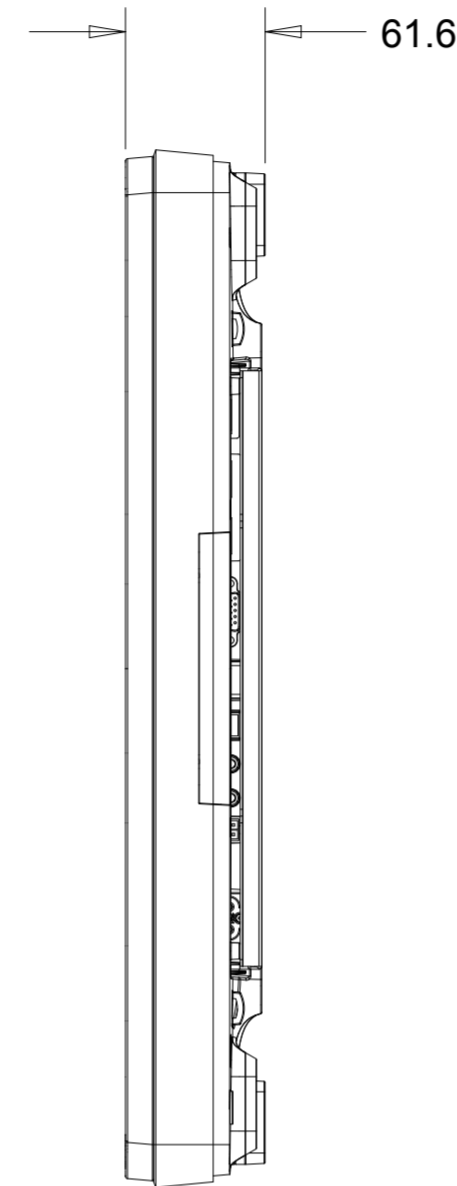
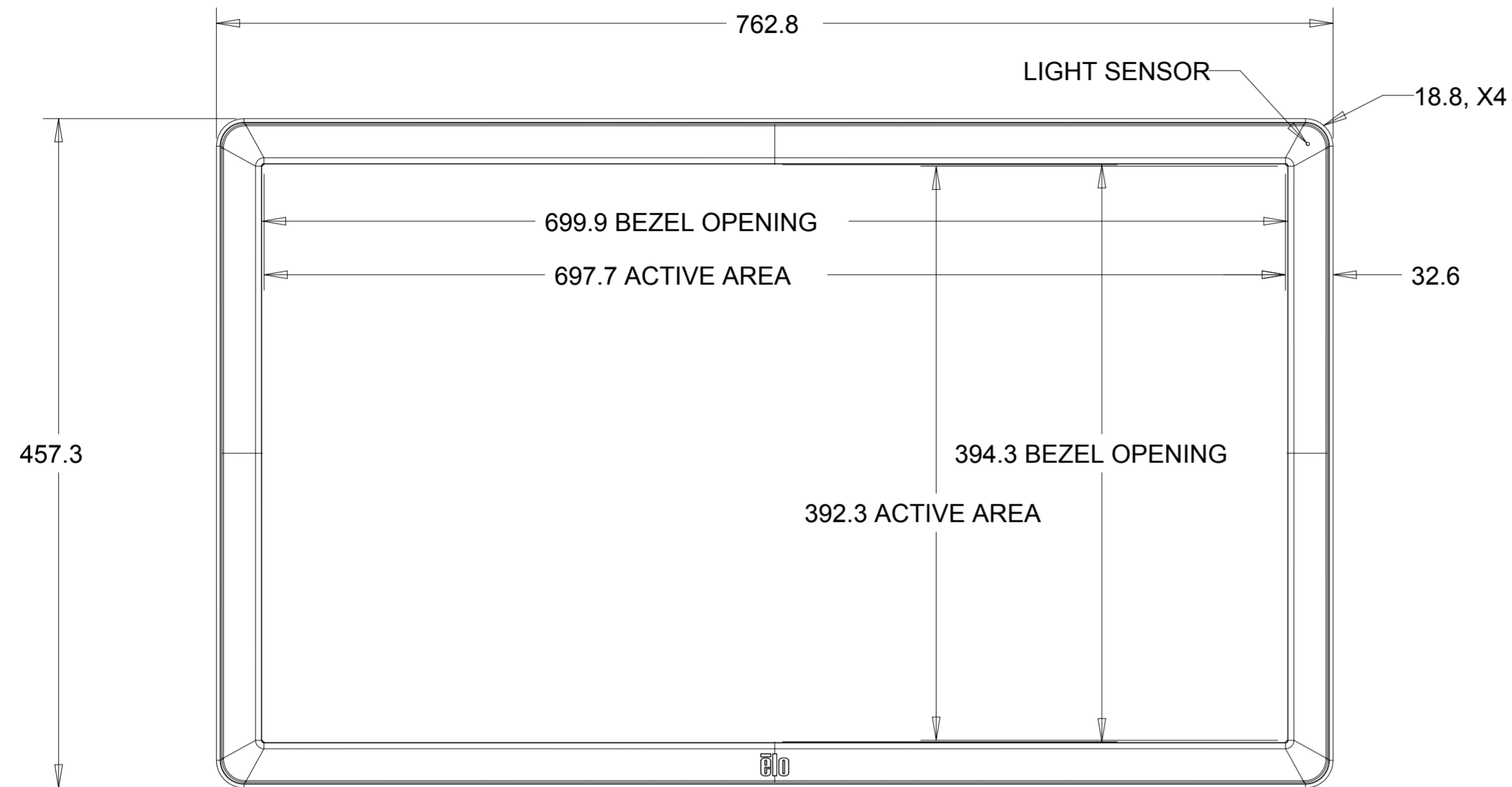
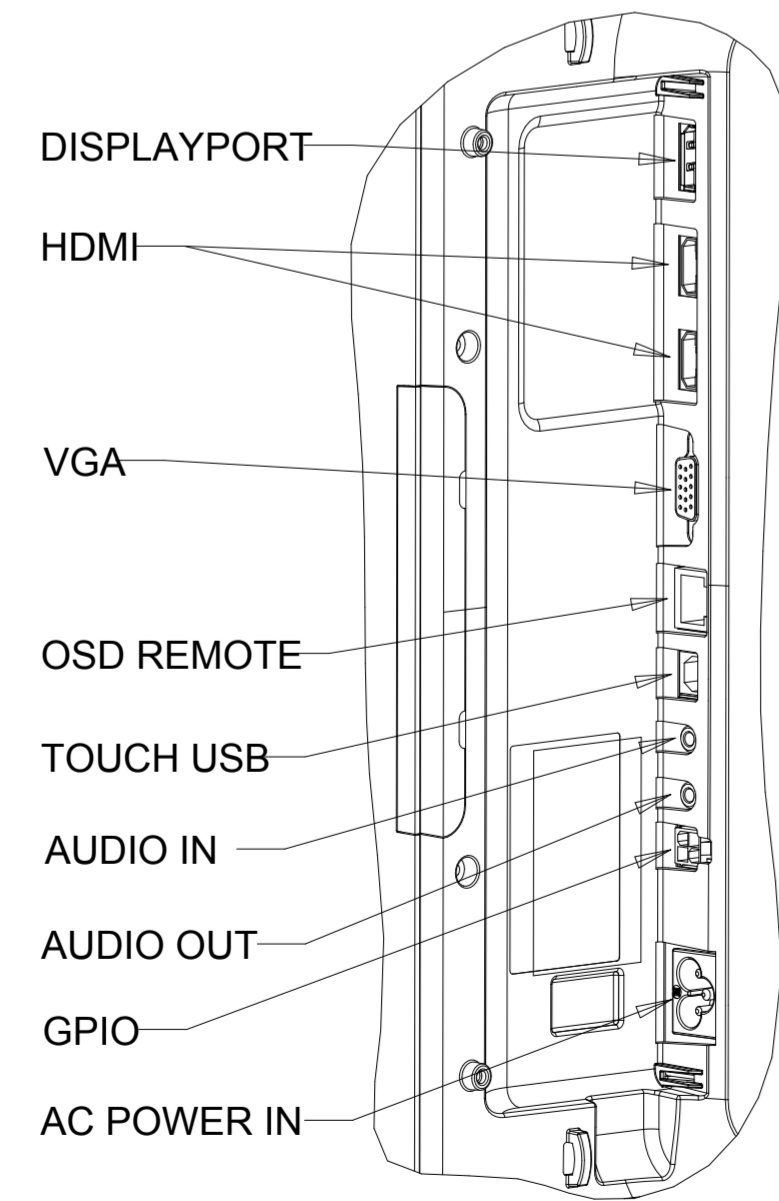


IR MODEL

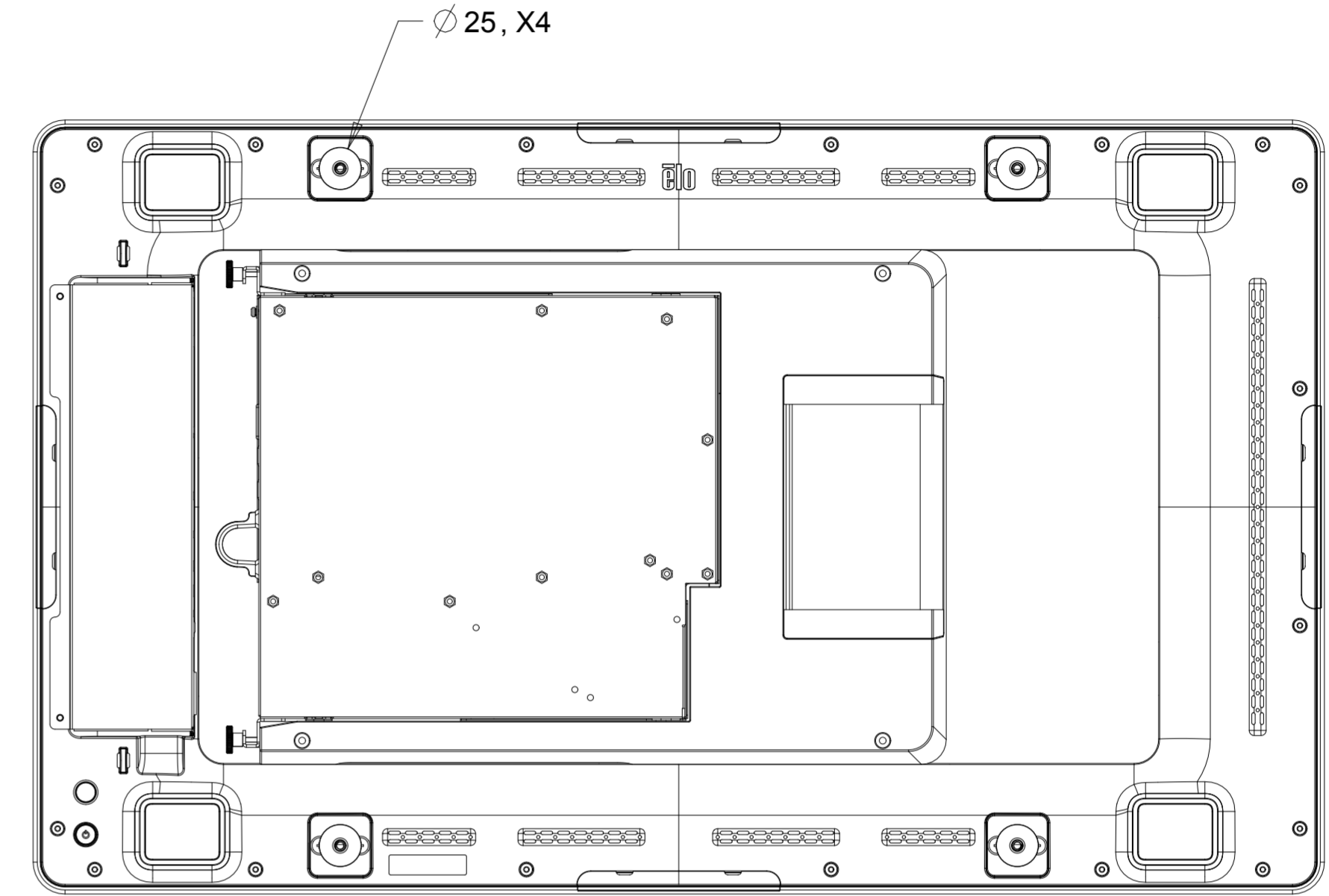
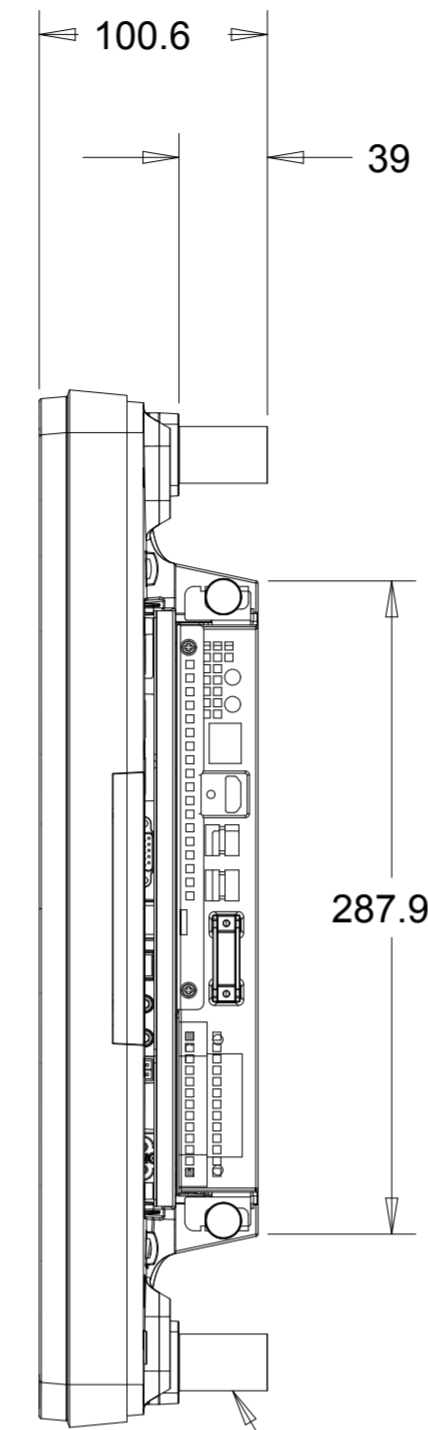
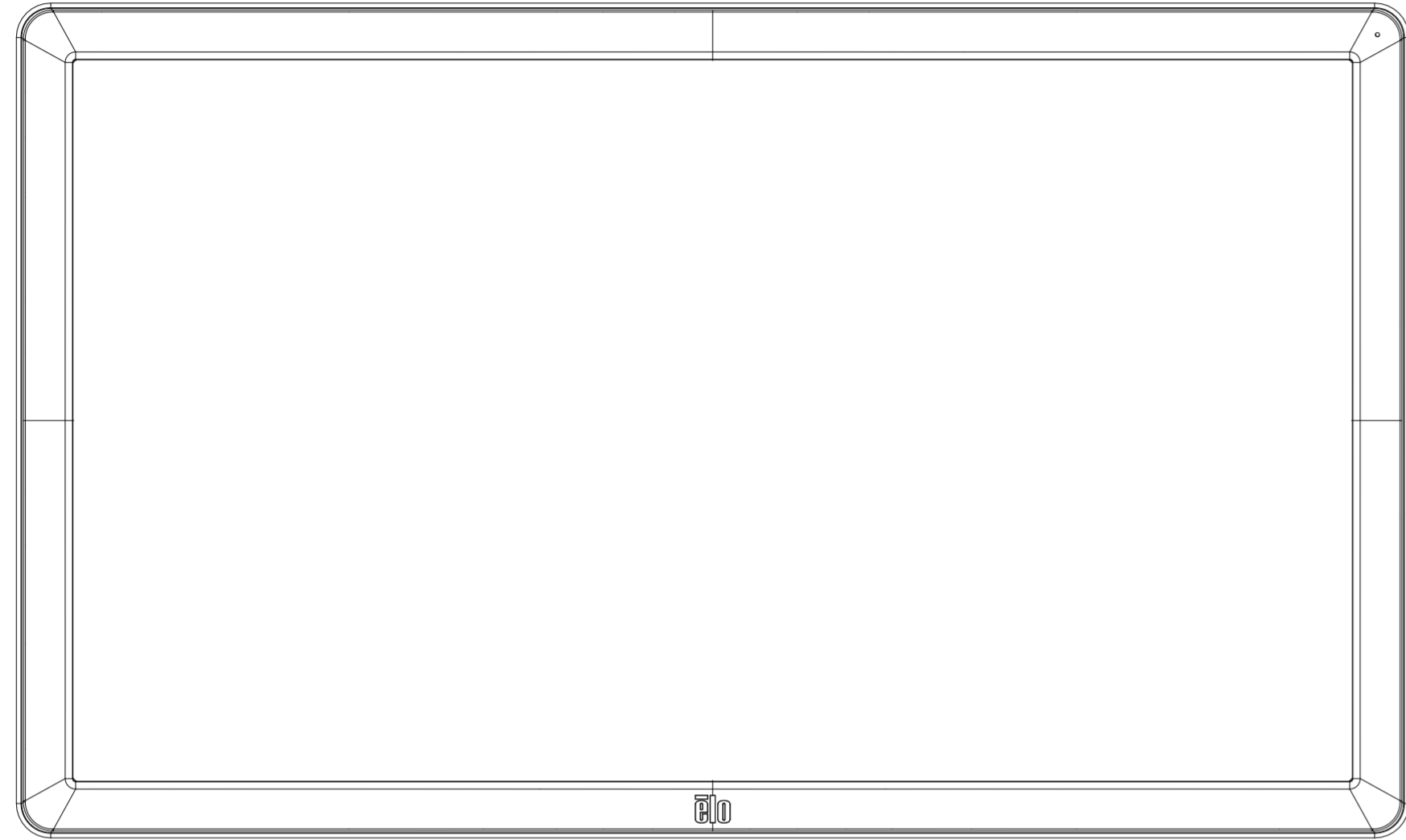


I/O CONNECTIONS  
(UNDER SECURITY COVER)



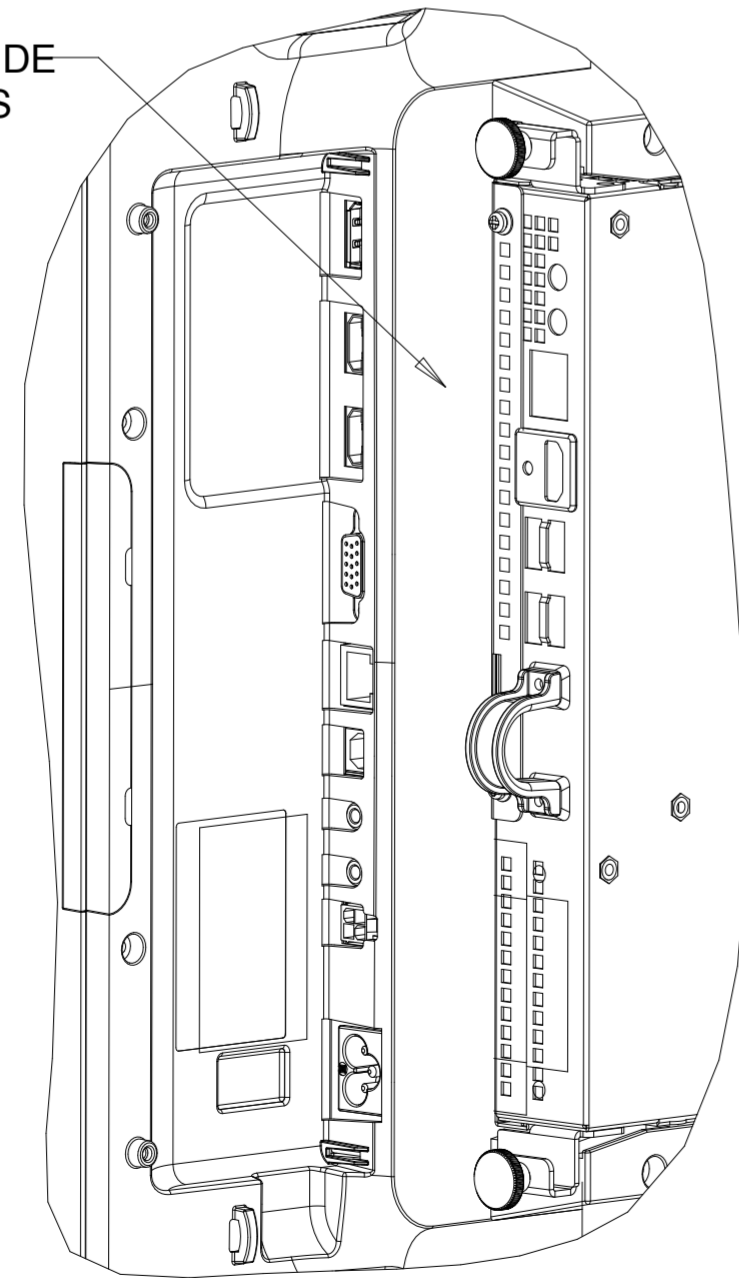
SCALE 0.500

IR MODEL WITH OPTIONAL ECM KIT

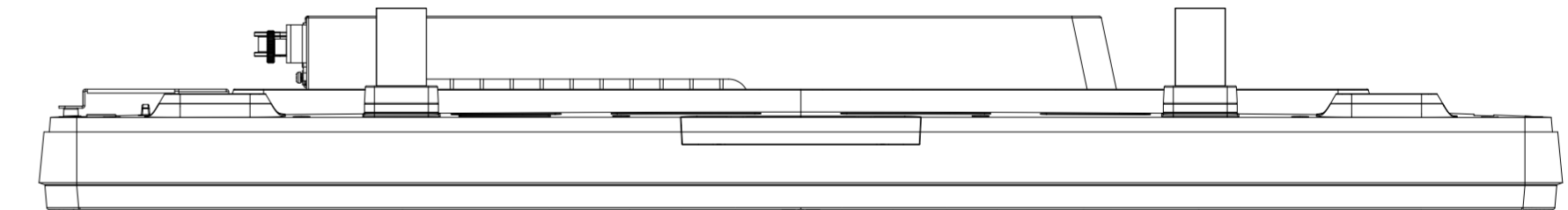


EXTENSION SPACERS AND SCREWS (X4)  
INCLUDED WITH ECM KIT

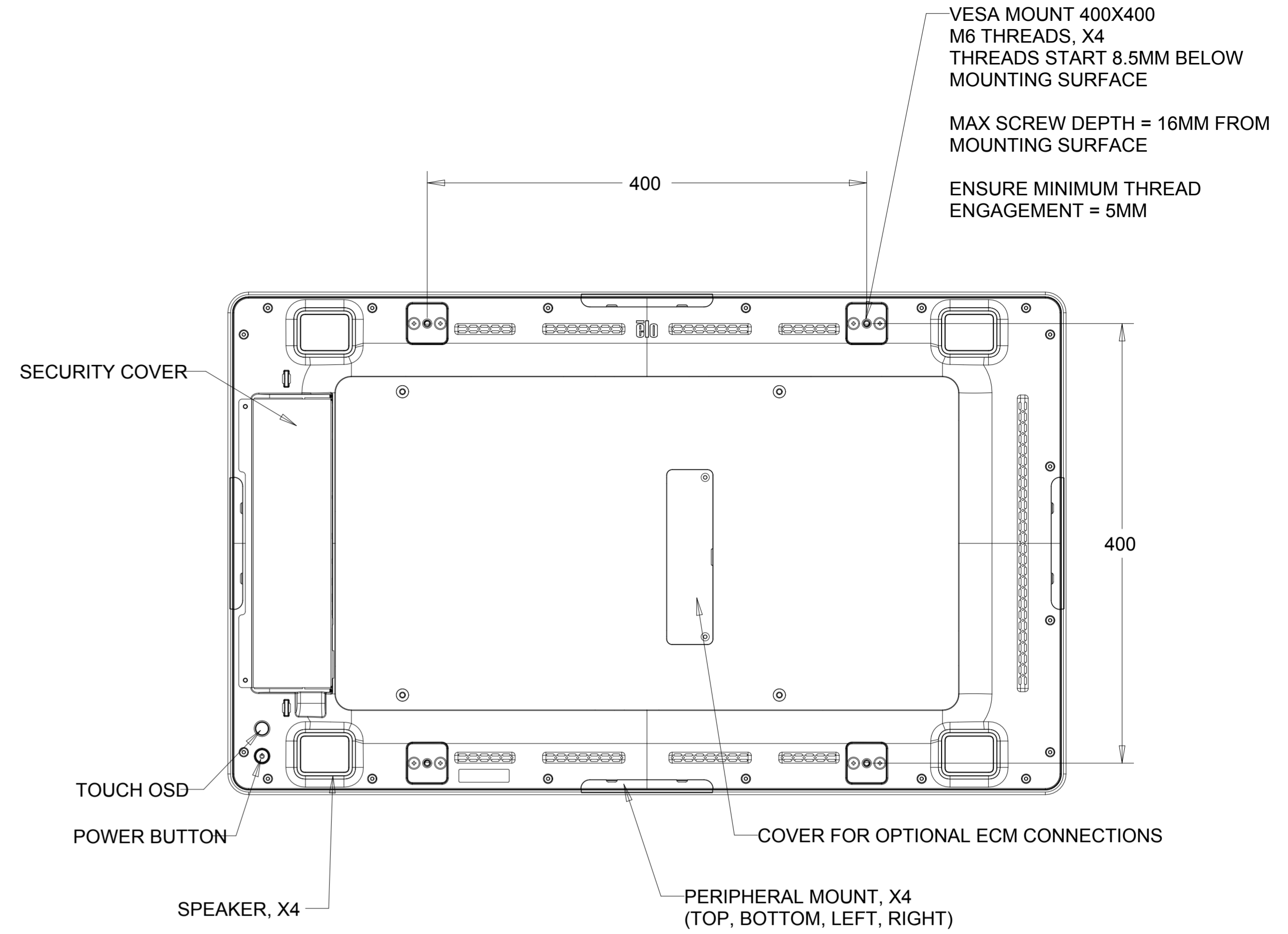
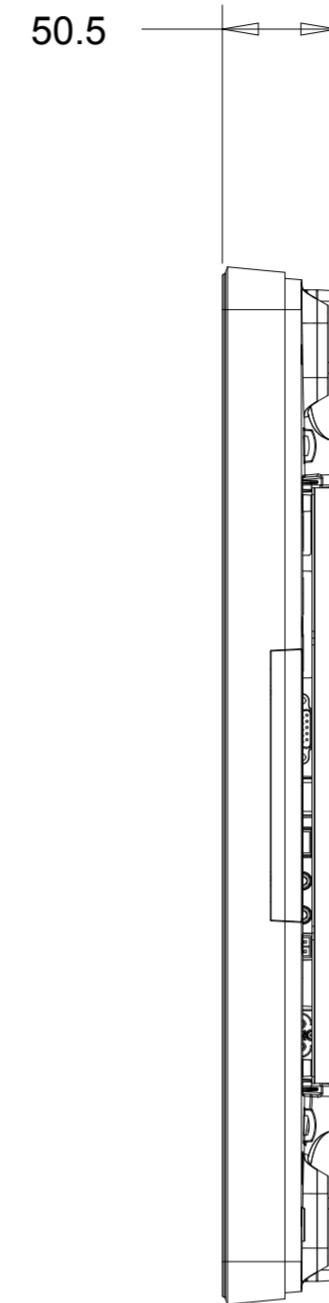
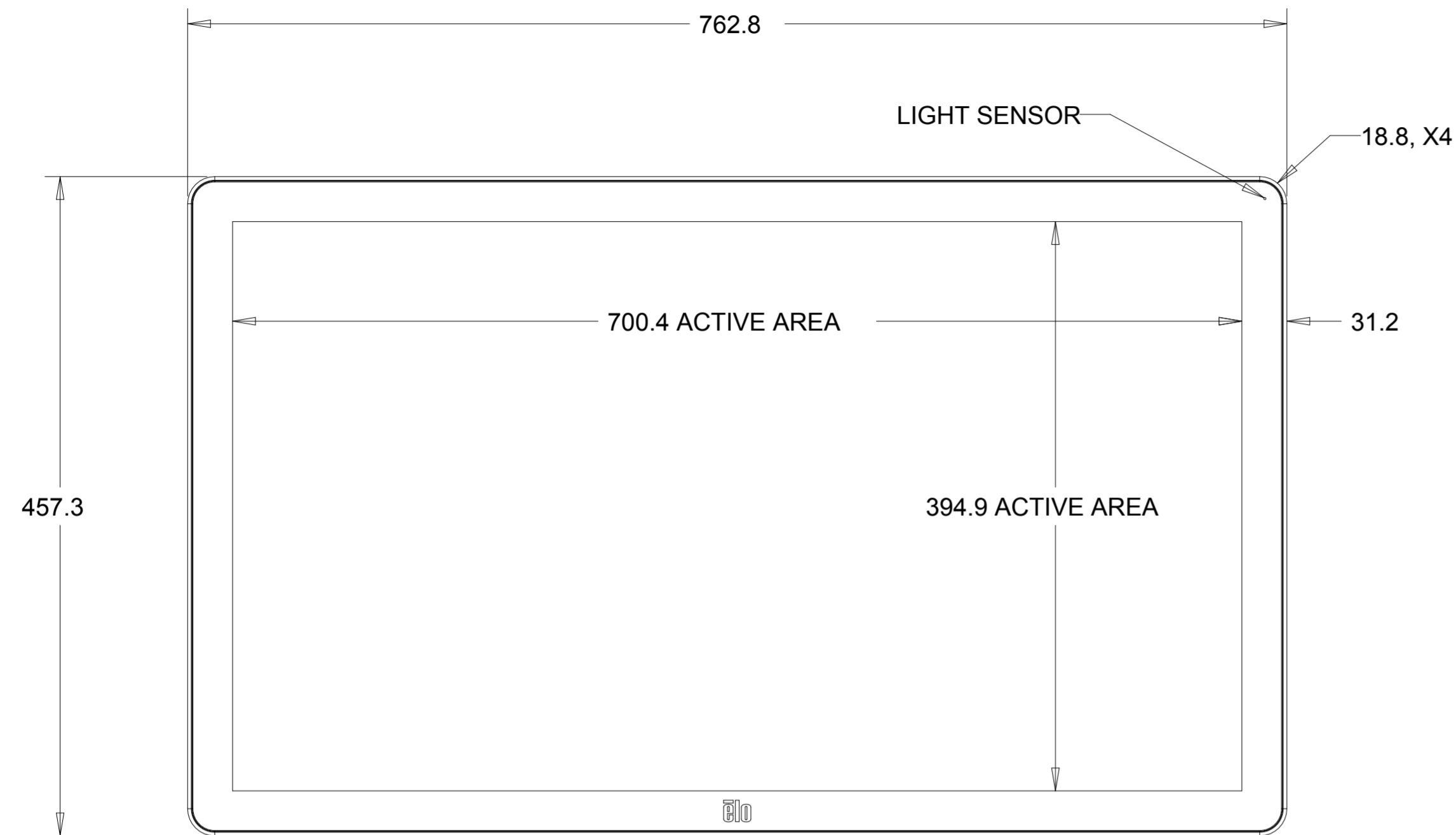
ECM CONNECTIONS ON SAME SIDE  
AS IDS I/O CONNECTIONS



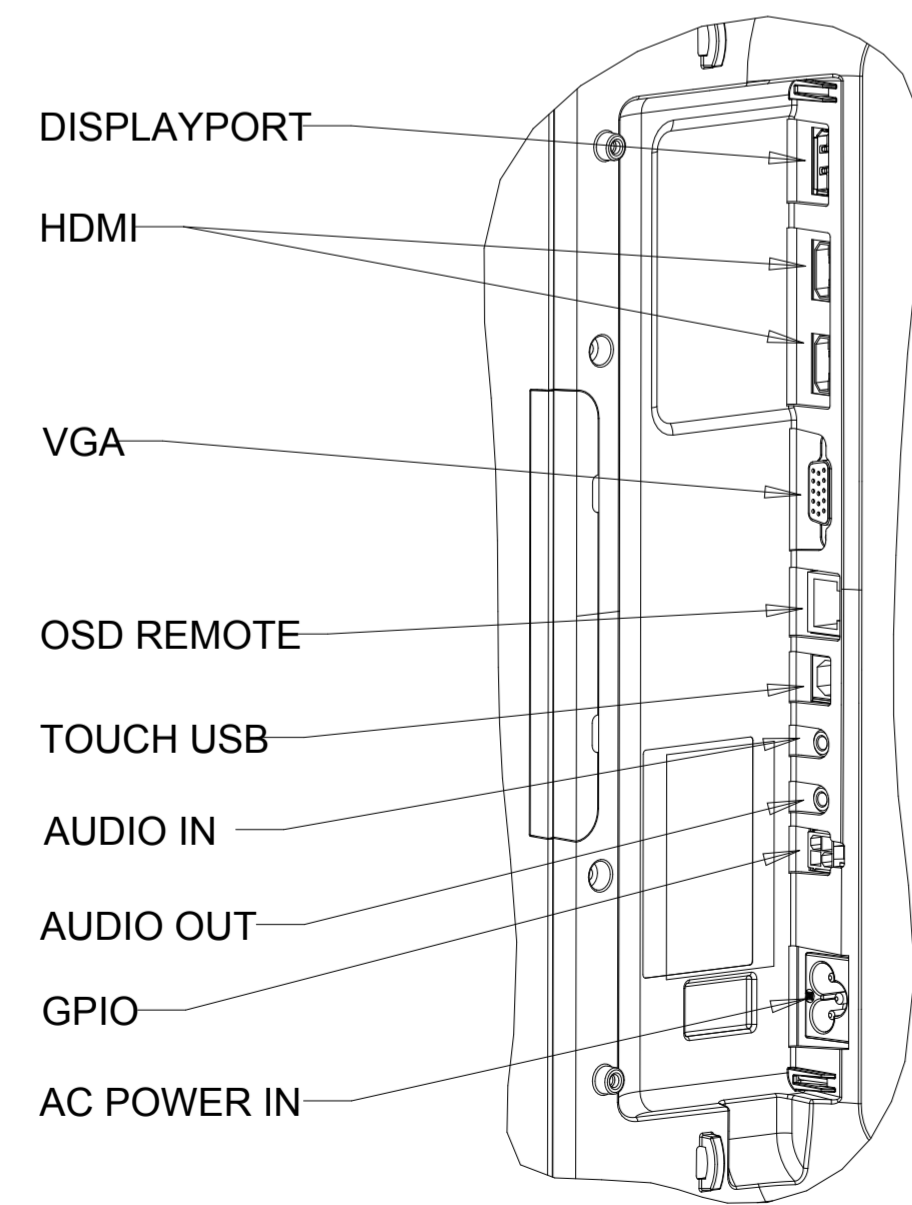
SCALE 0.500



PROJECTED CAPACITIVE MODEL

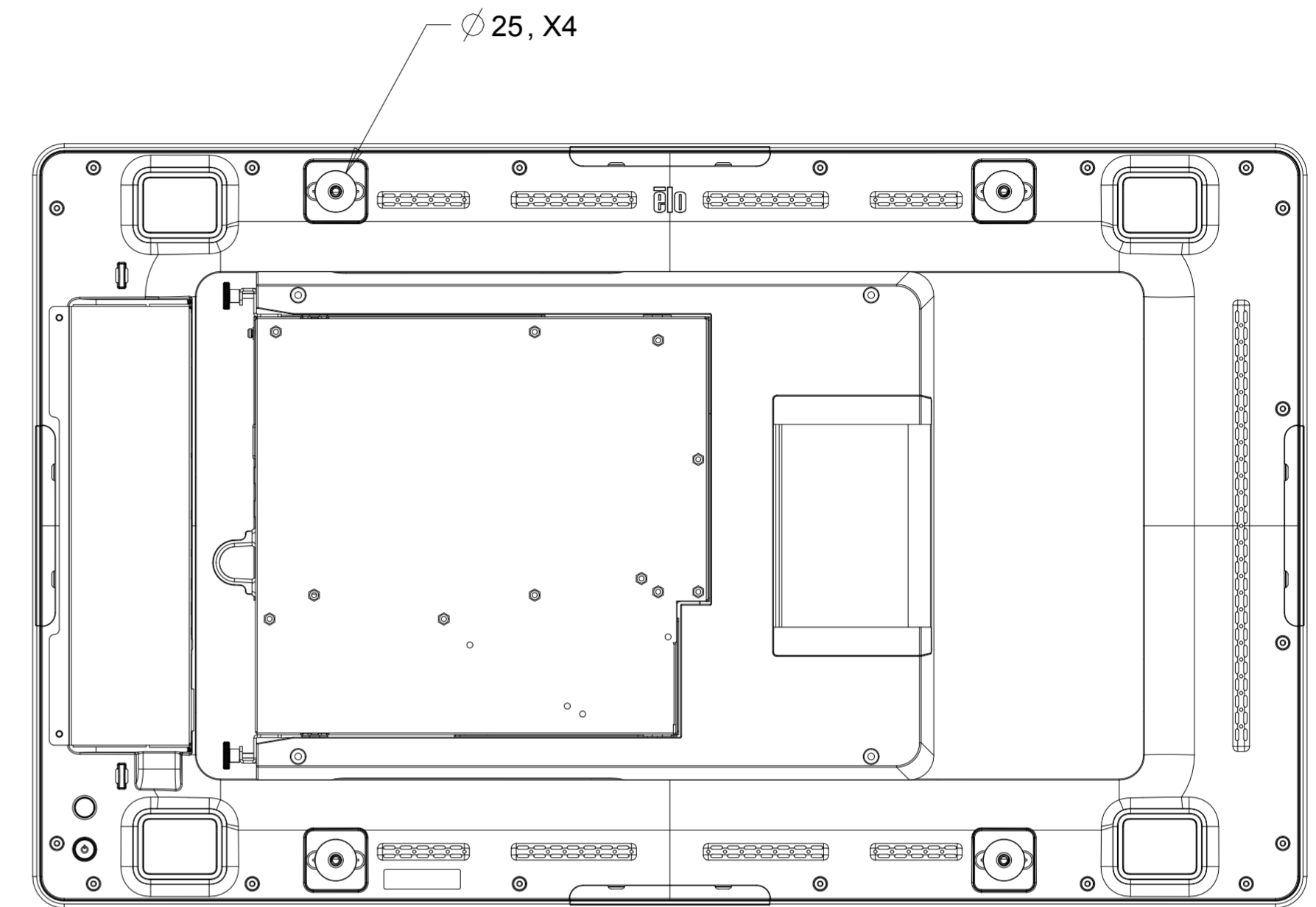
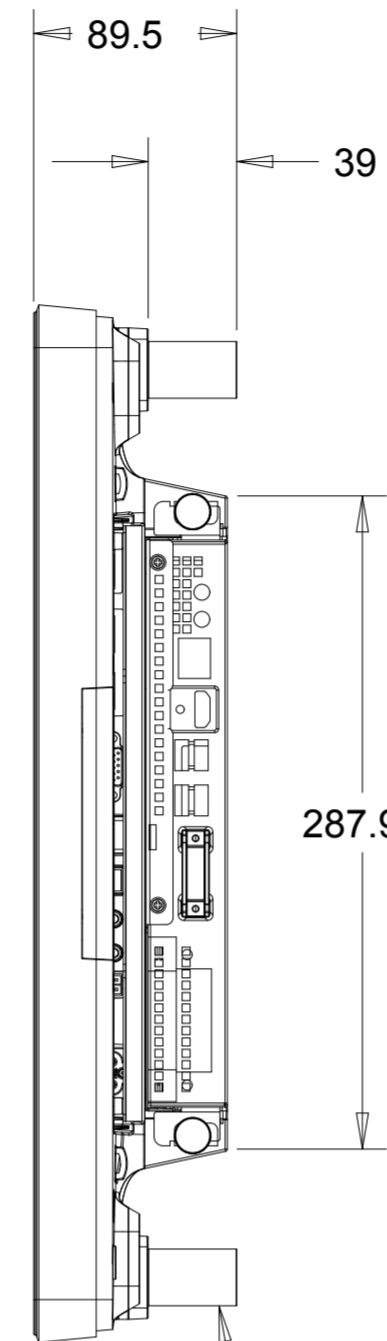
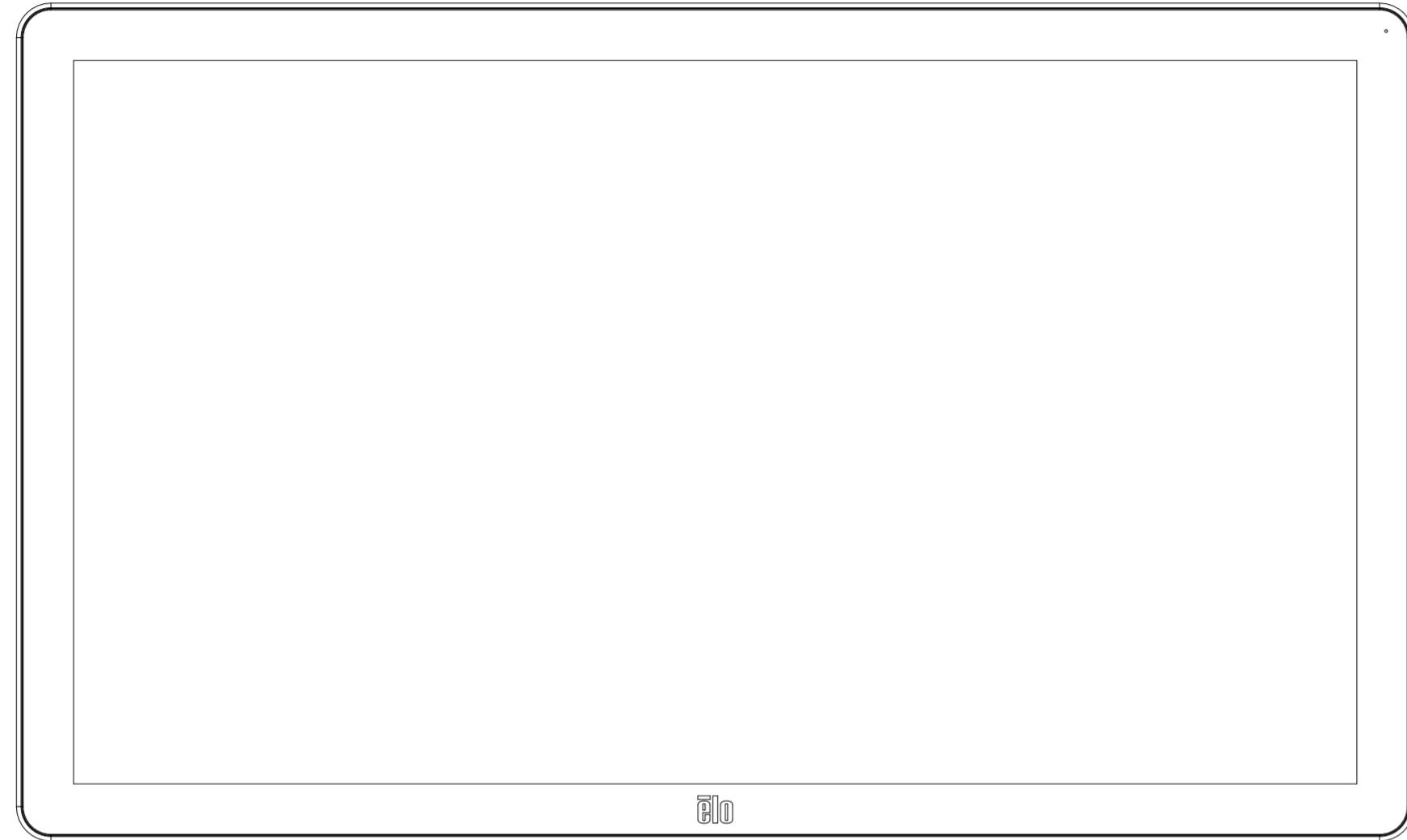


I/O CONNECTIONS  
(UNDER SECURITY COVER)

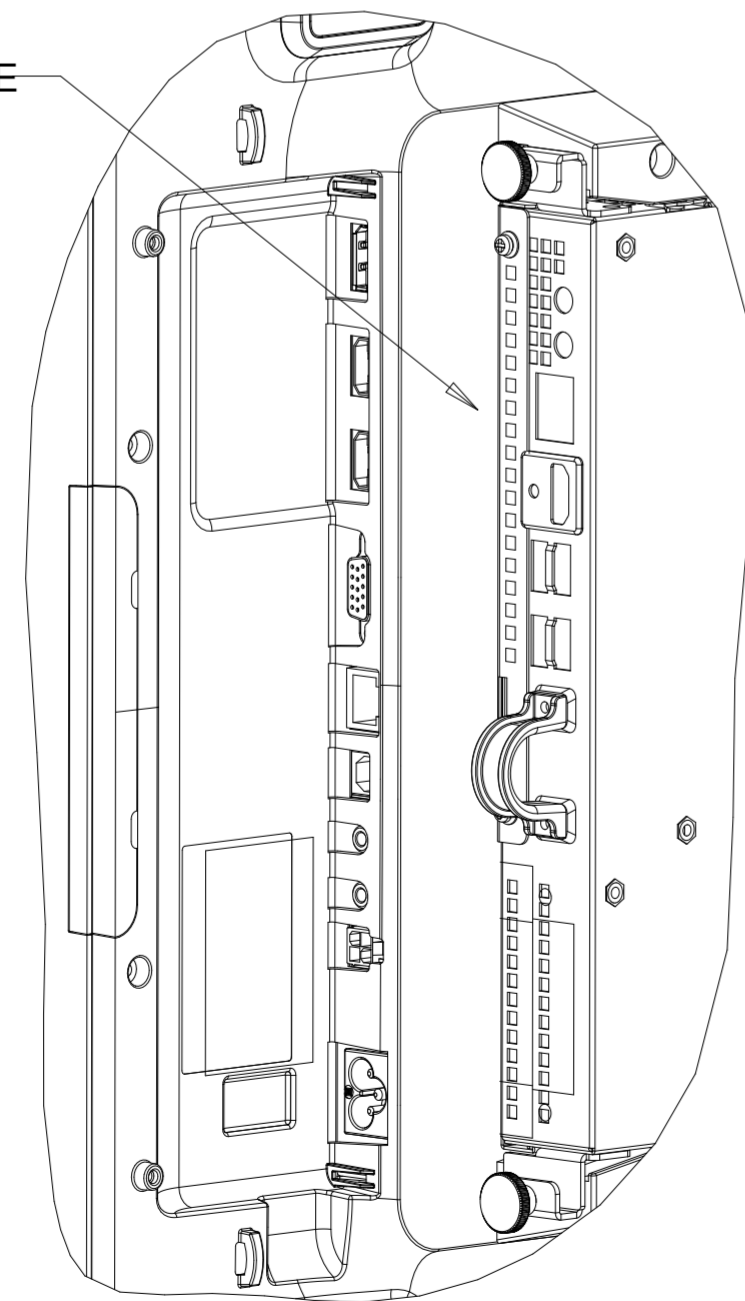


SCALE 0.500

PROJECTED CAPACITIVE MODEL WITH OPTIONAL ECM KIT

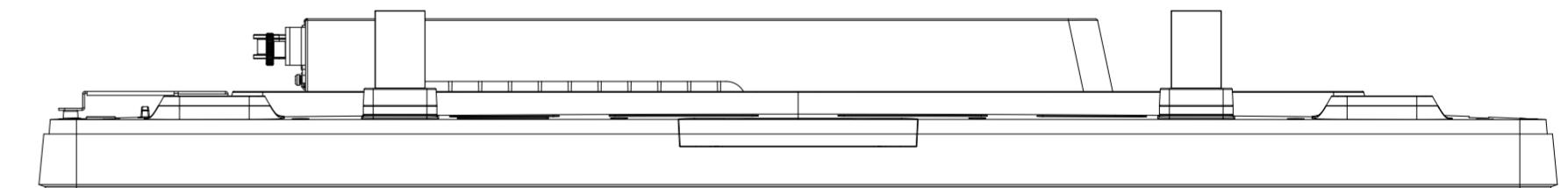


ECM CONNECTIONS ON SAME SIDE AS IDS I/O CONNECTIONS



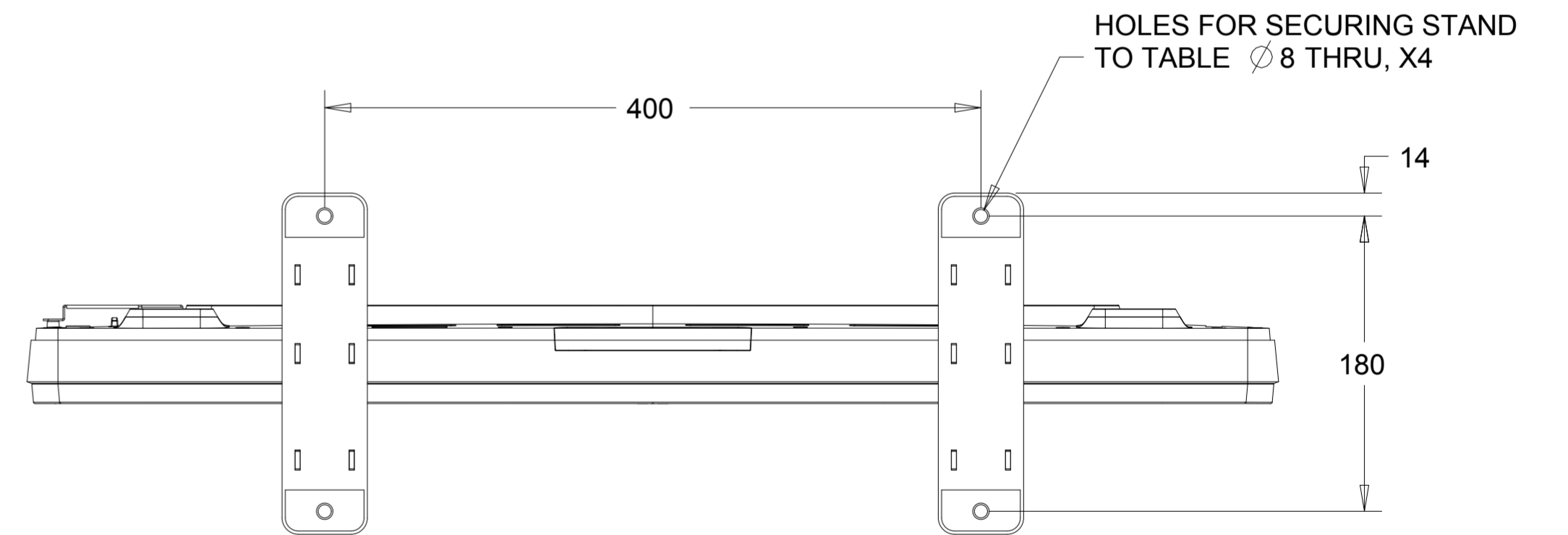
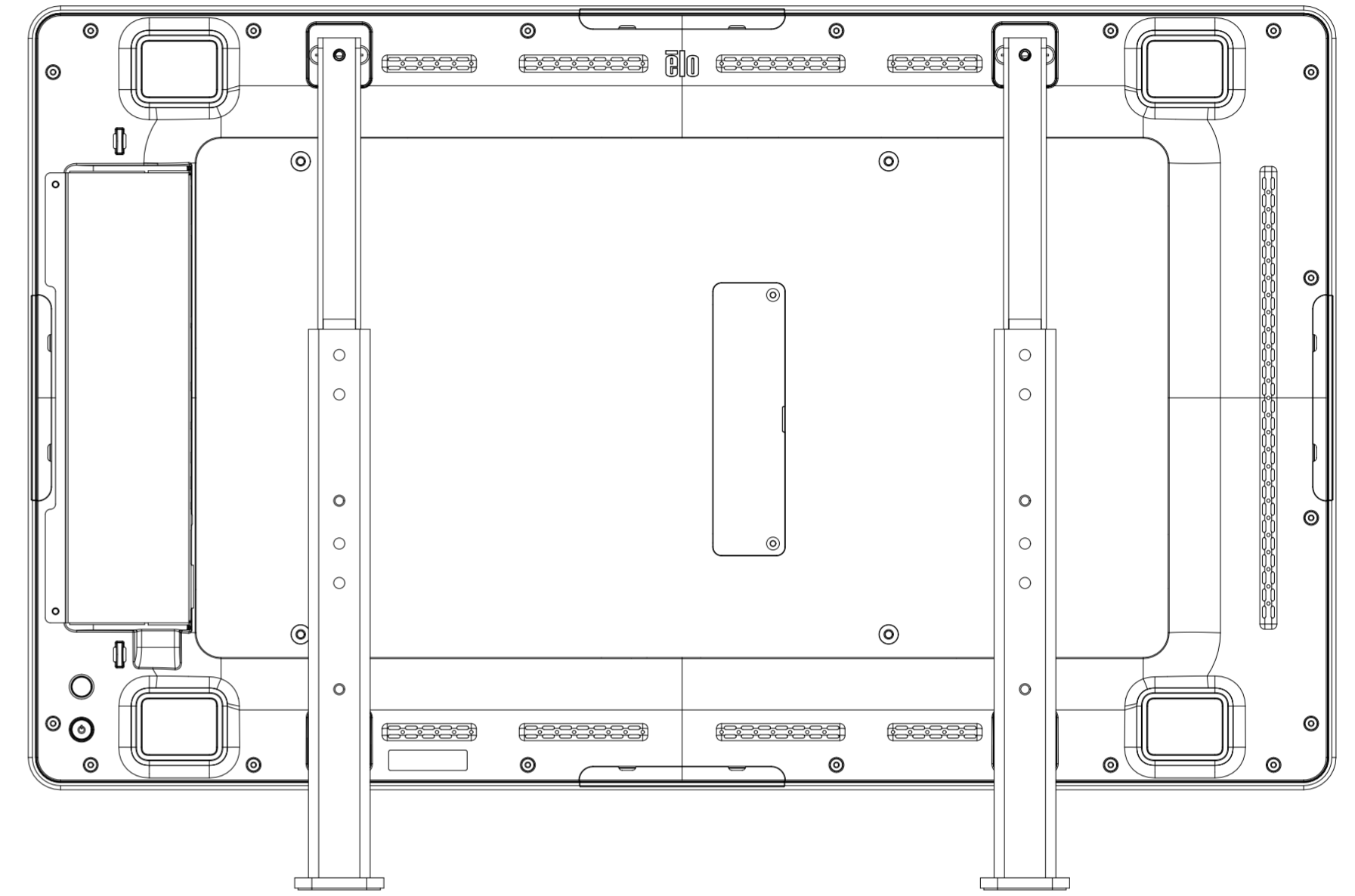
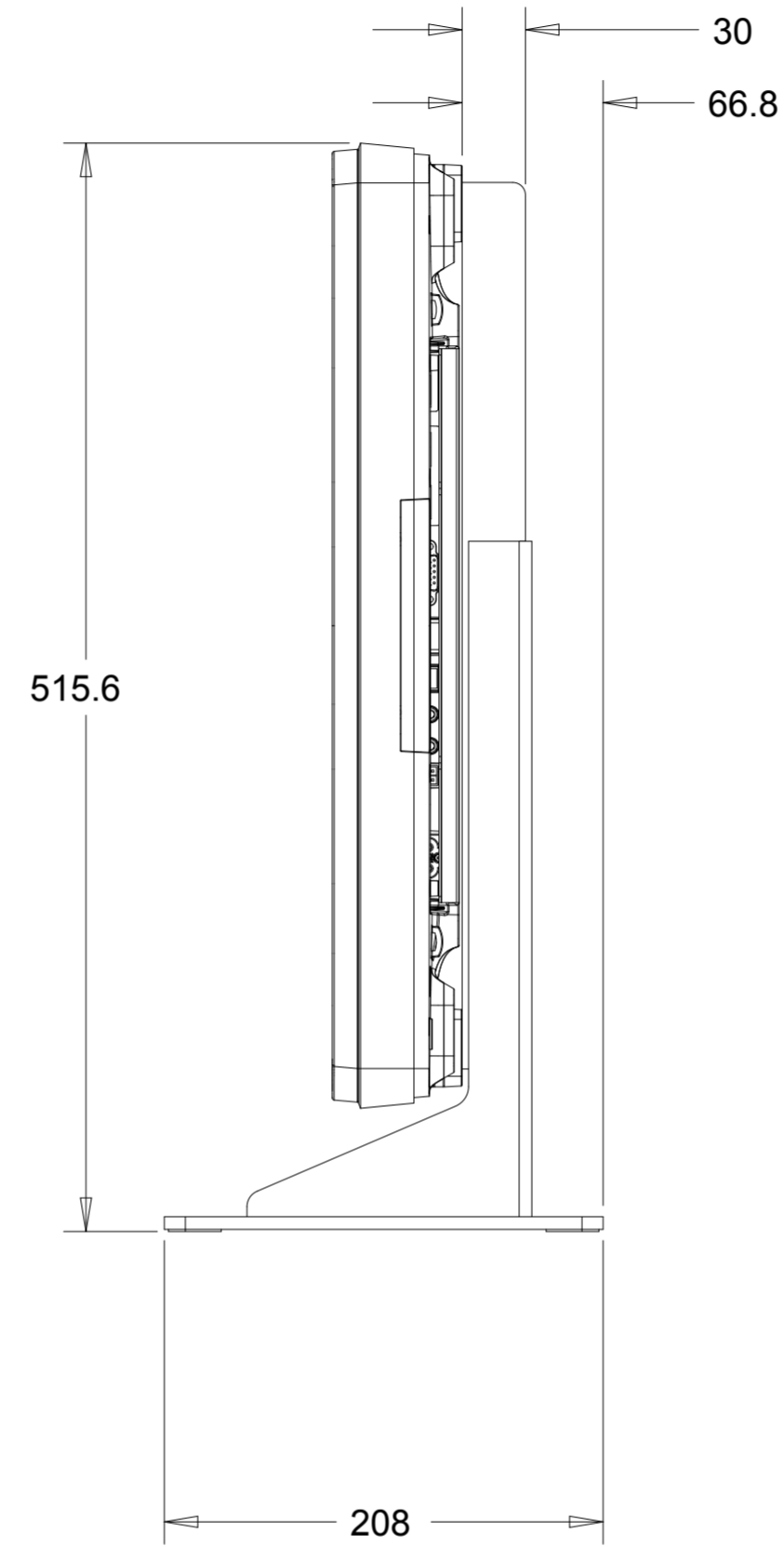
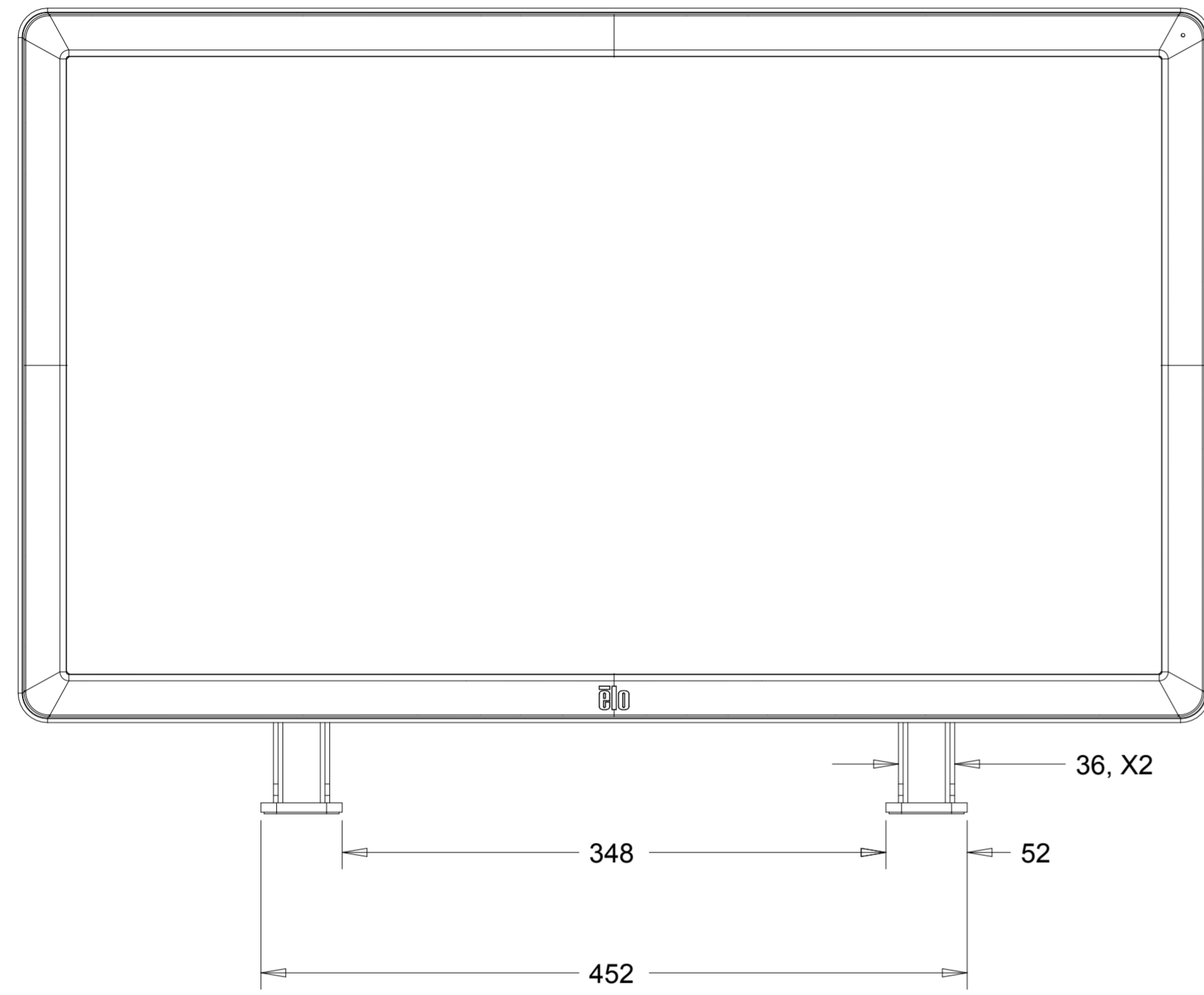
SCALE 0.500

EXTENSION SPACERS AND SCREWS (X4) INCLUDED WITH ECM KIT

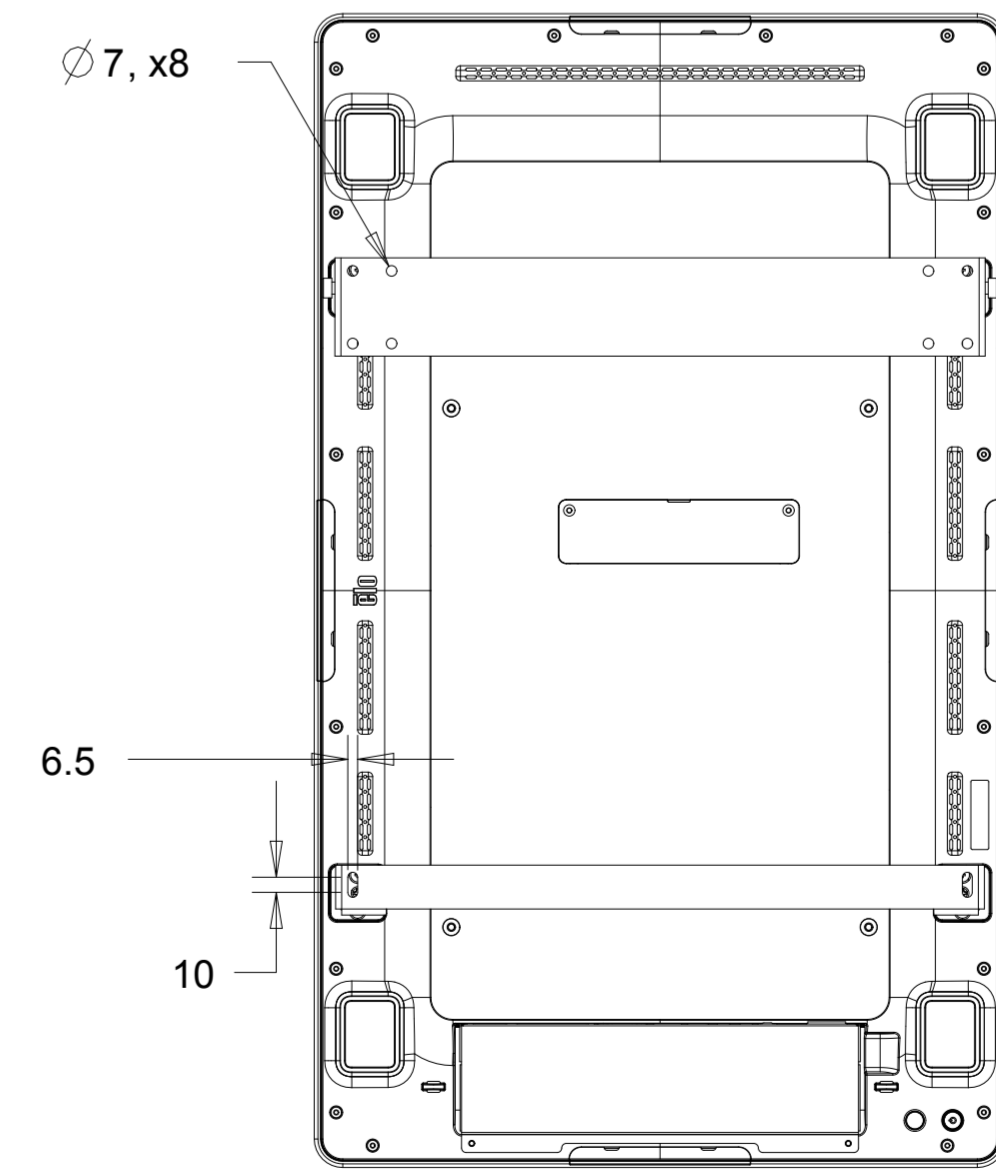
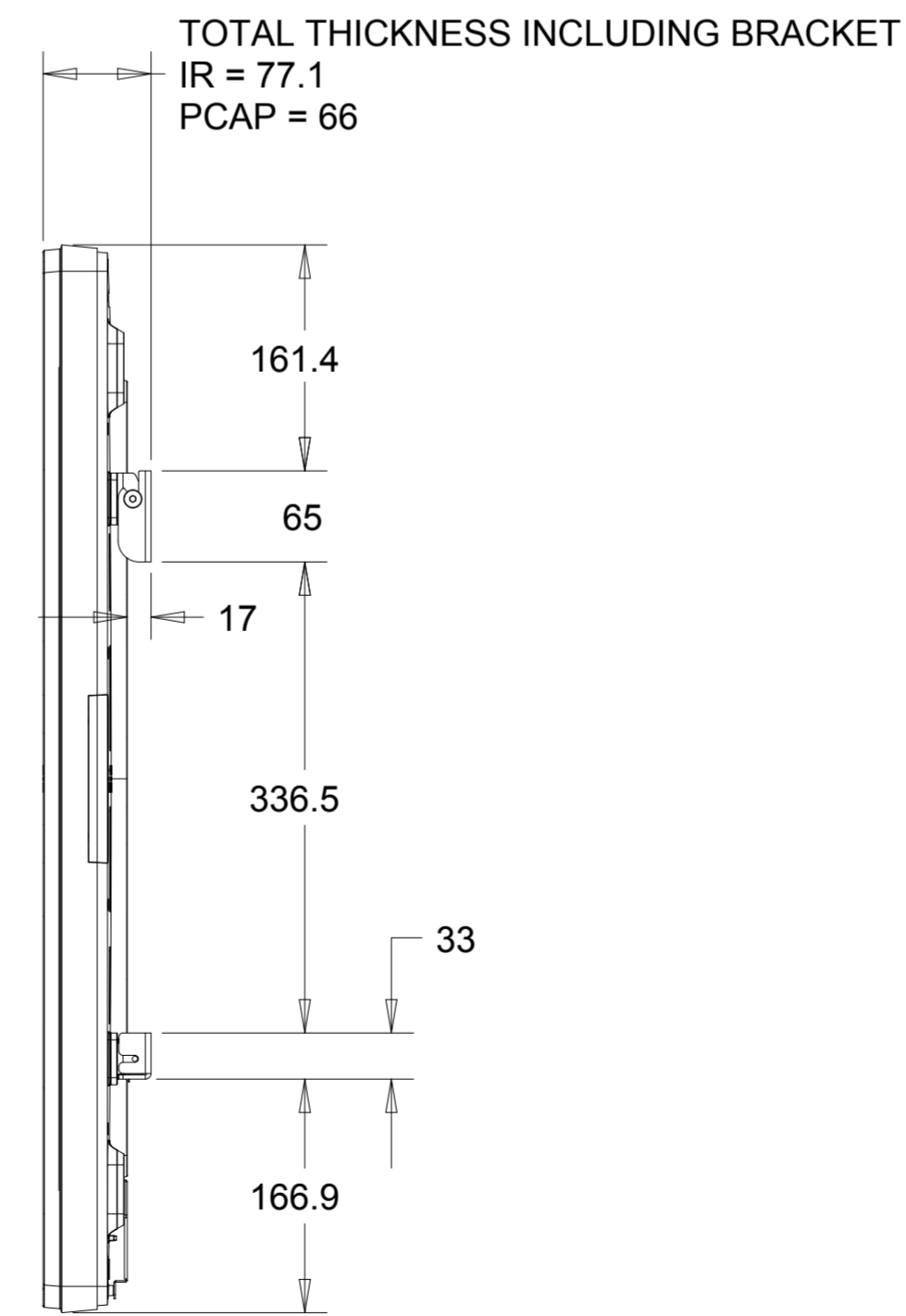
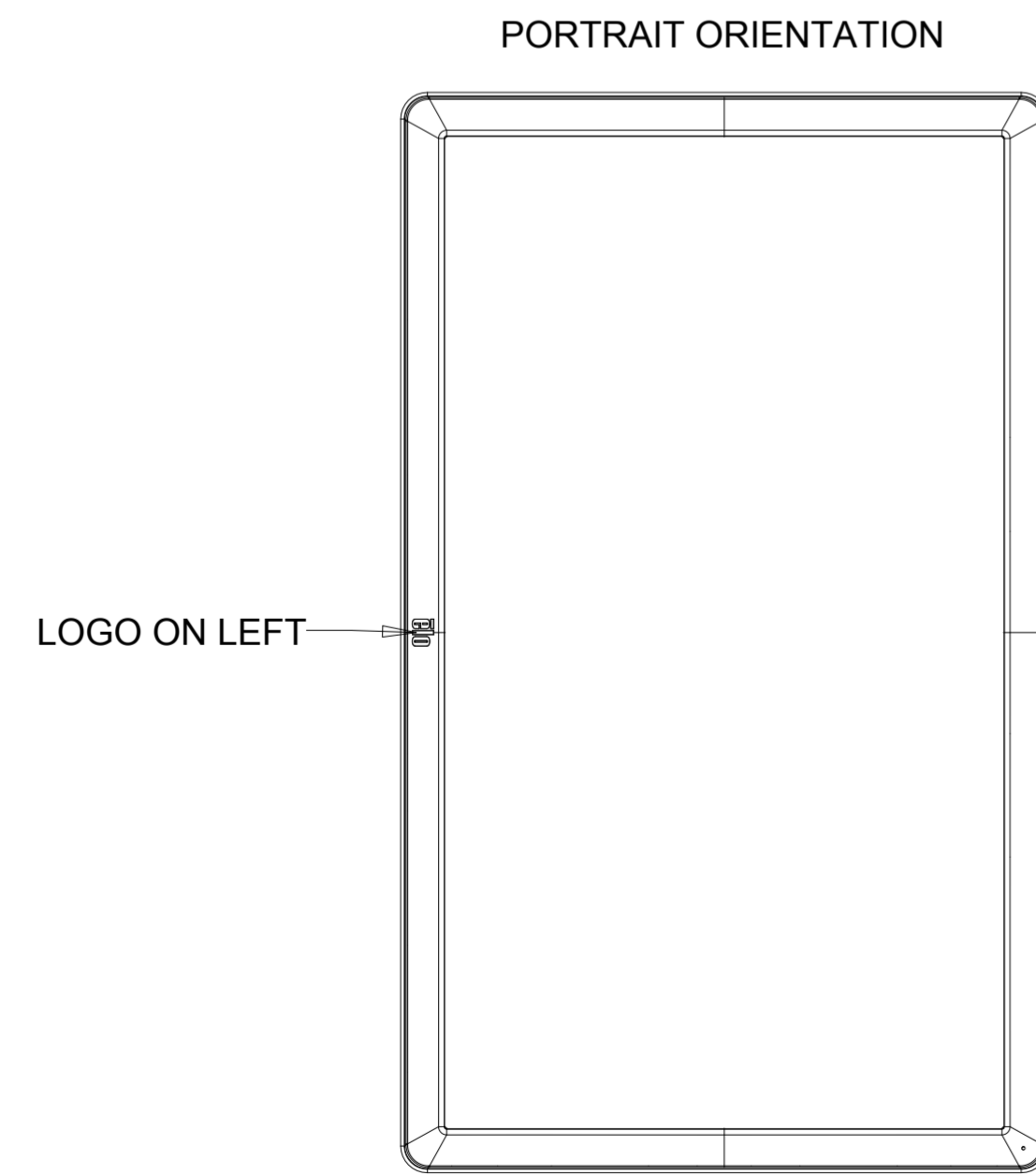
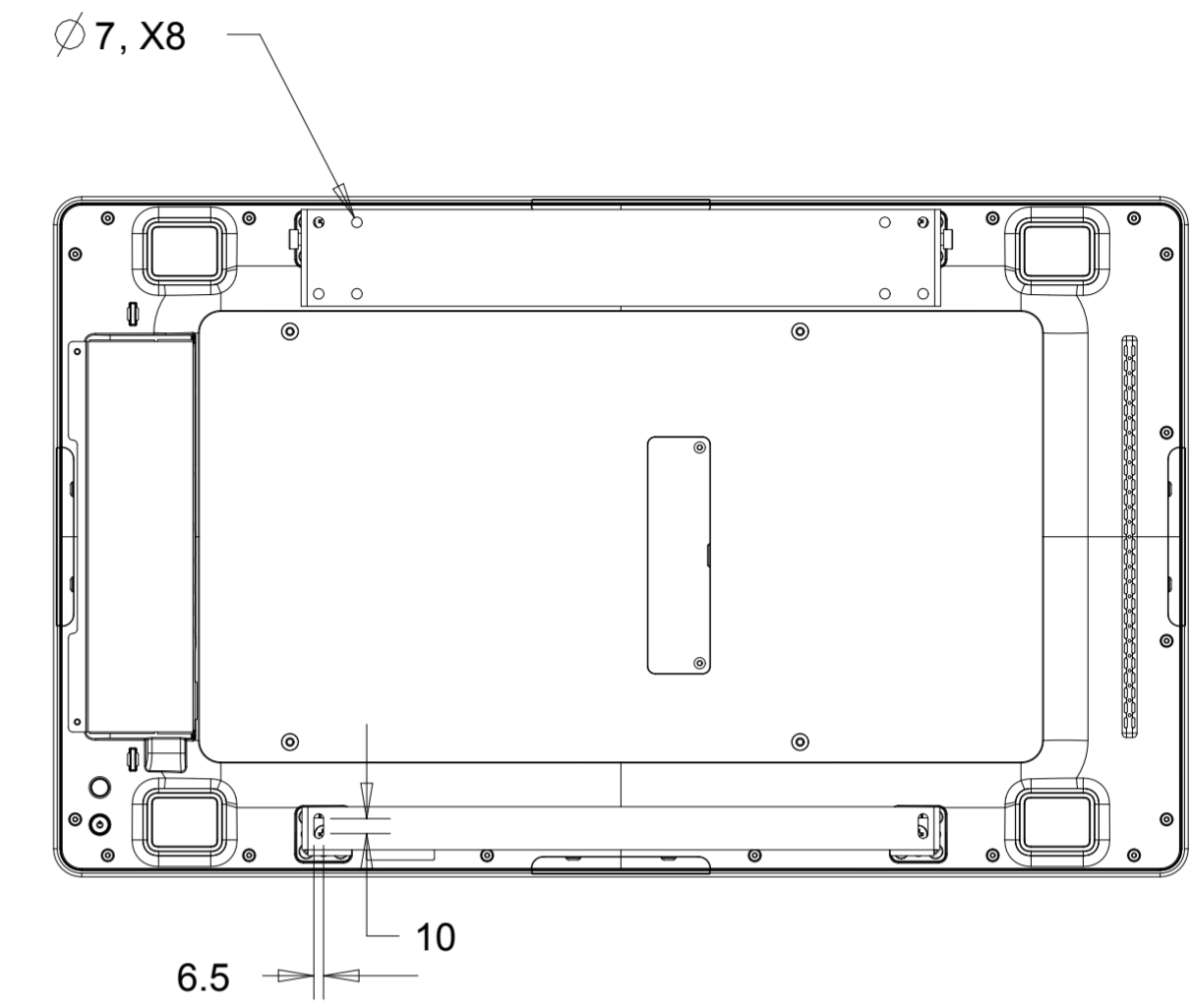
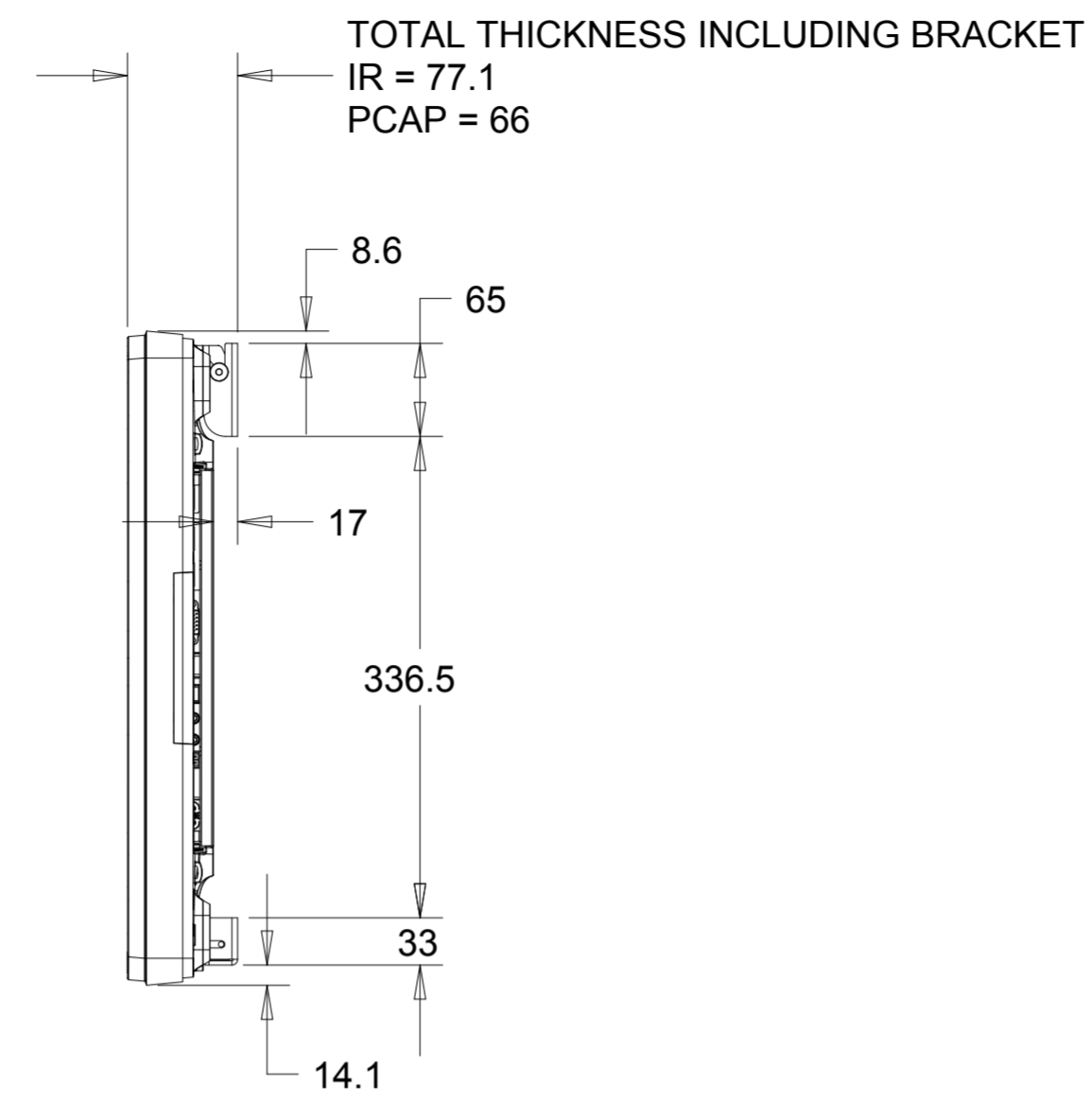
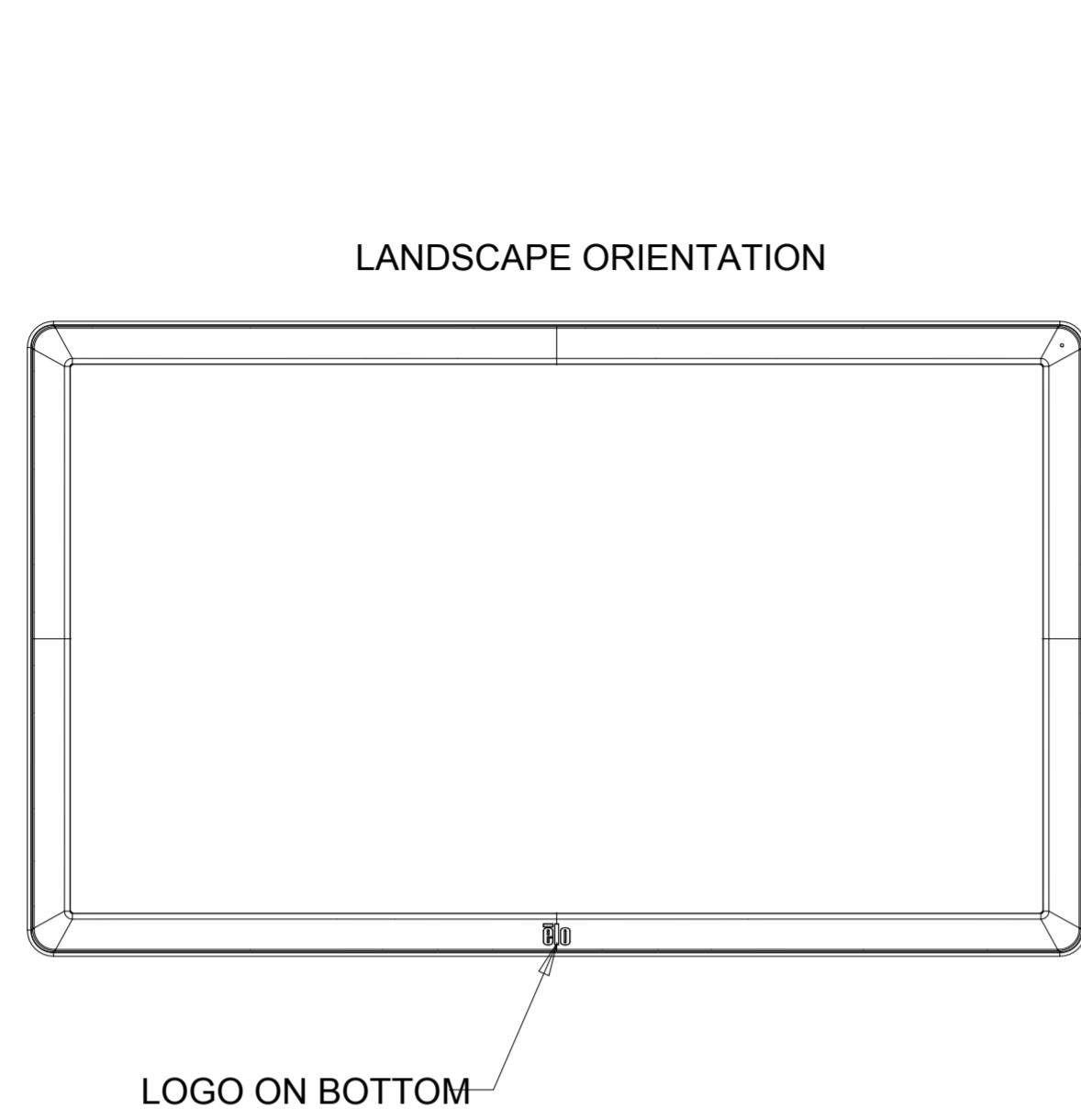


OPTIONAL STAND KIT P/N E275623

LANDSCAPE ORIENTATION  
(STAND DOES NOT SUPPORT PORTRAIT ORIENTATION)



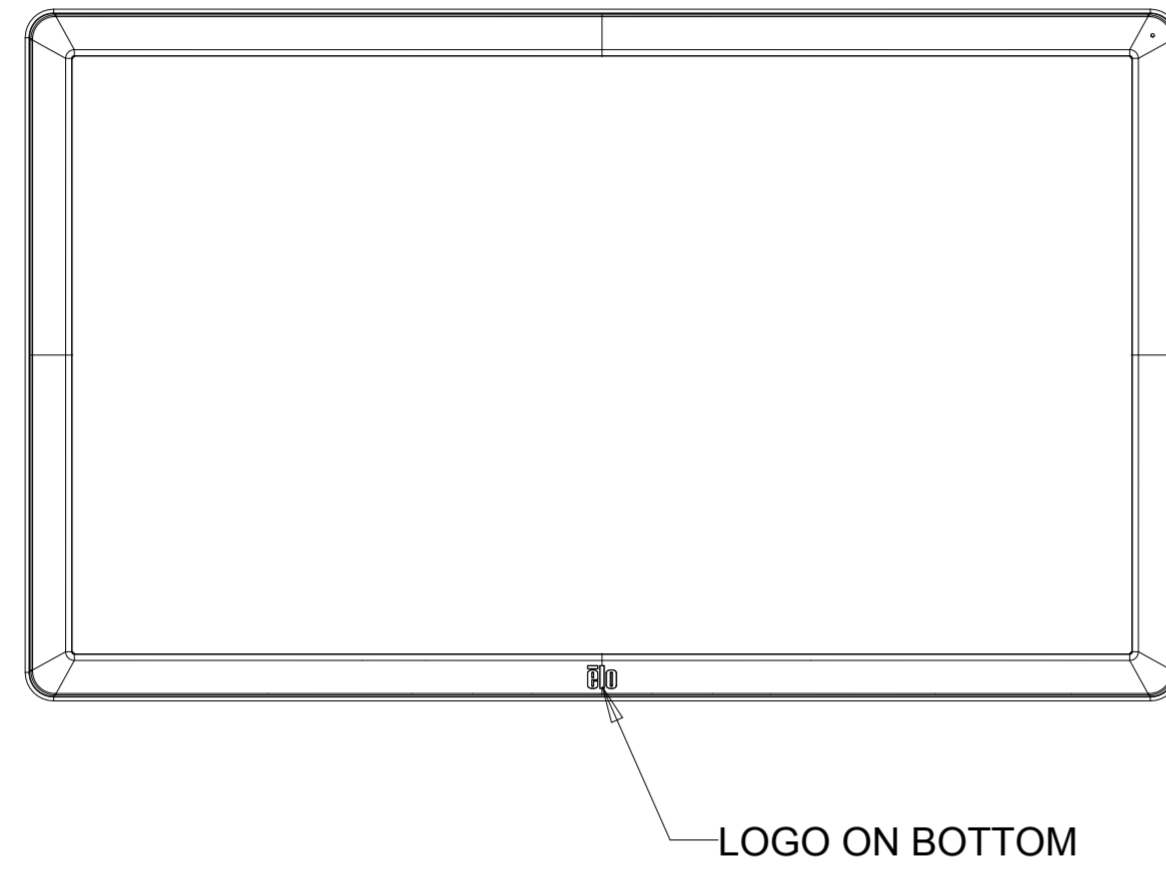
OPTIONAL LOW PROFILE WALLMOUNT KIT P/N E275050  
 SEE NEXT PAGE FOR DIMENSIONS WITH ECM KIT



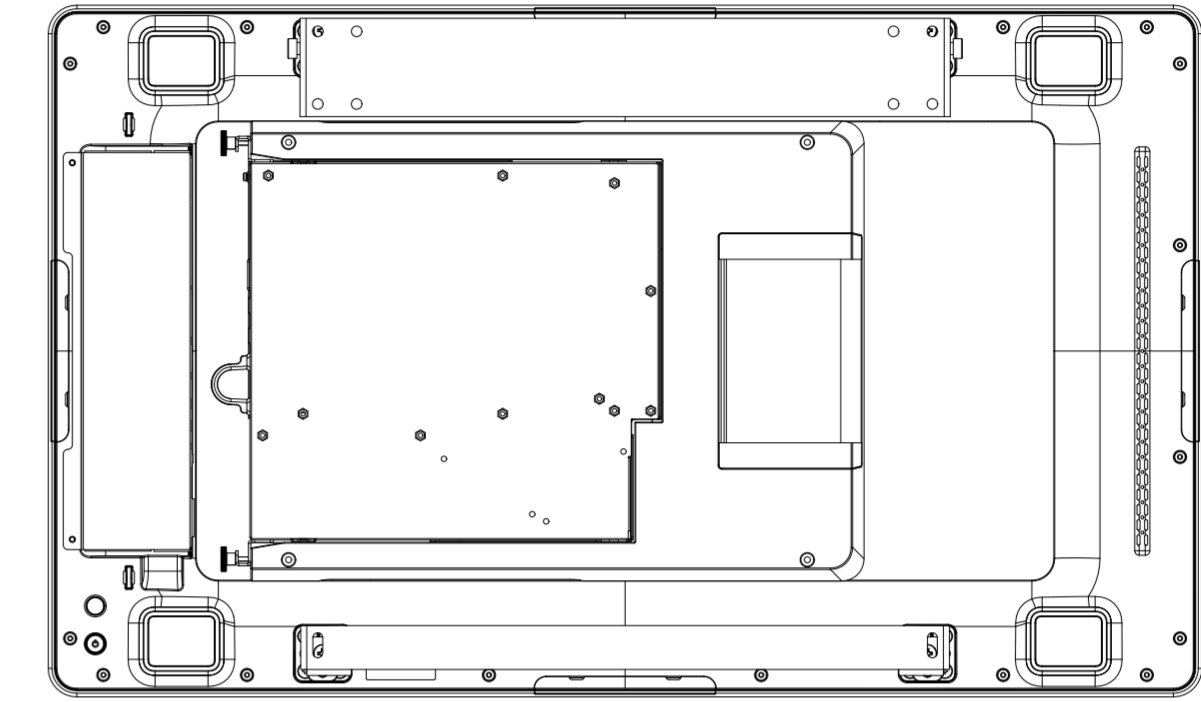
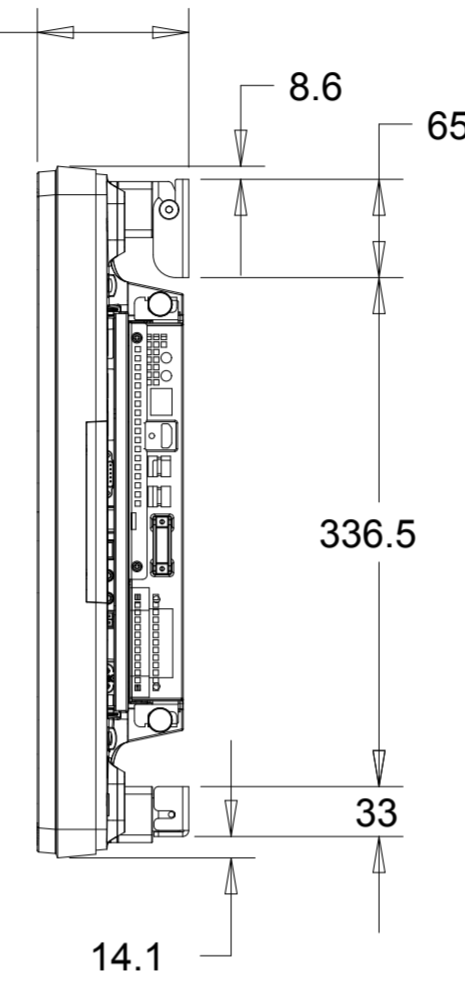
OPTIONAL LOW PROFILE WALLMOUNT KIT P/N E275050  
WITH OPTIONAL ECM KIT.

SEE PREVIOUS PAGE FOR DIMENSIONS WITHOUT ECM KIT

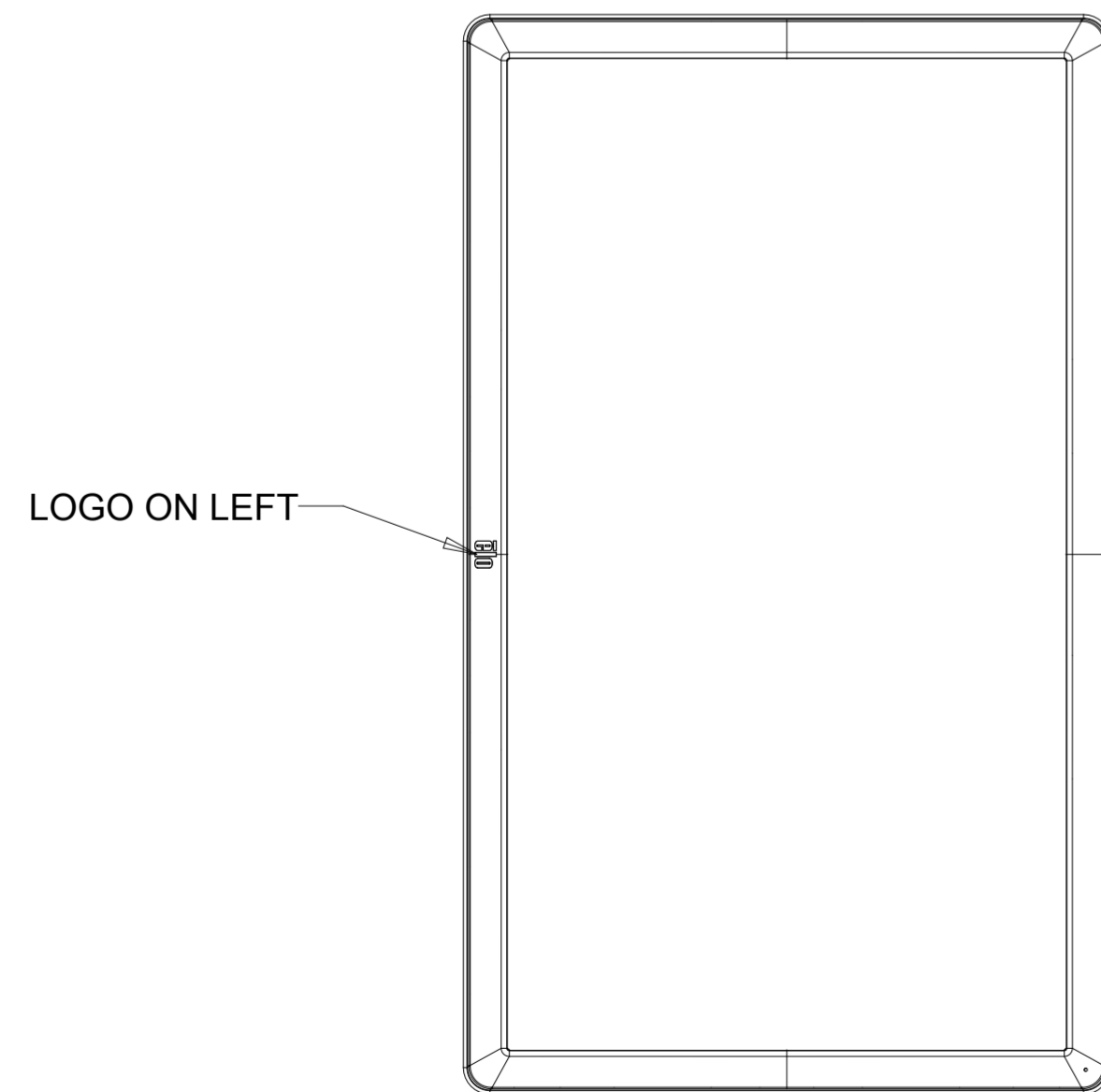
LANDSCAPE ORIENTATION



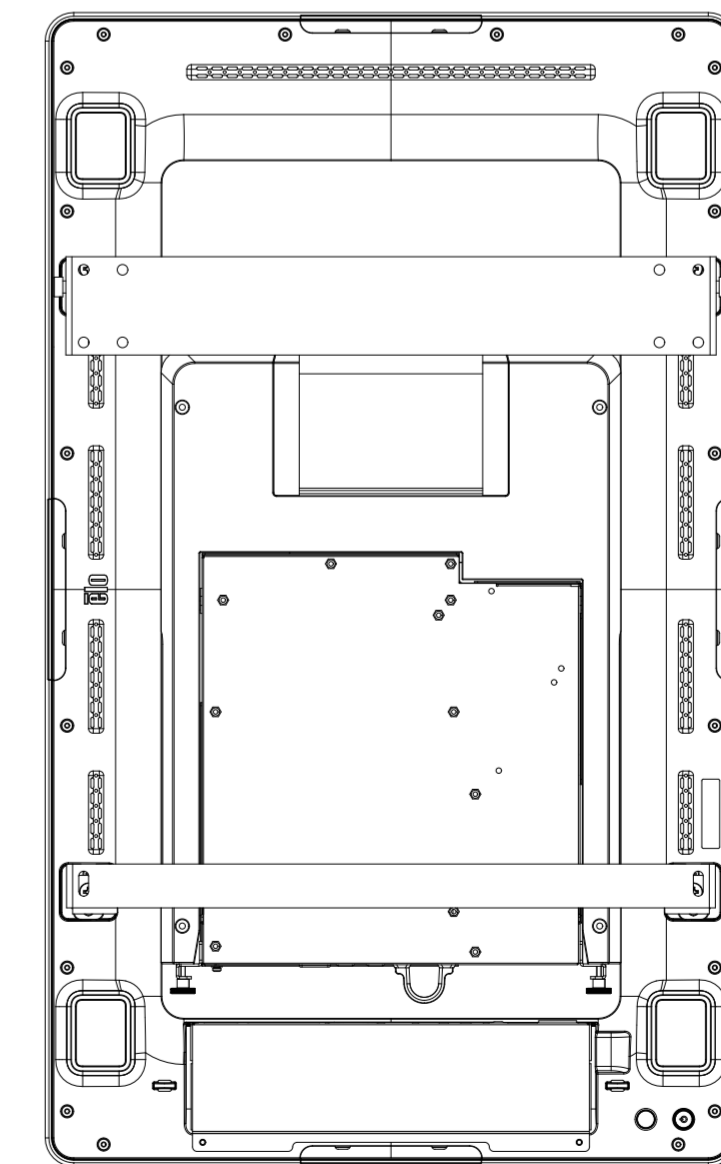
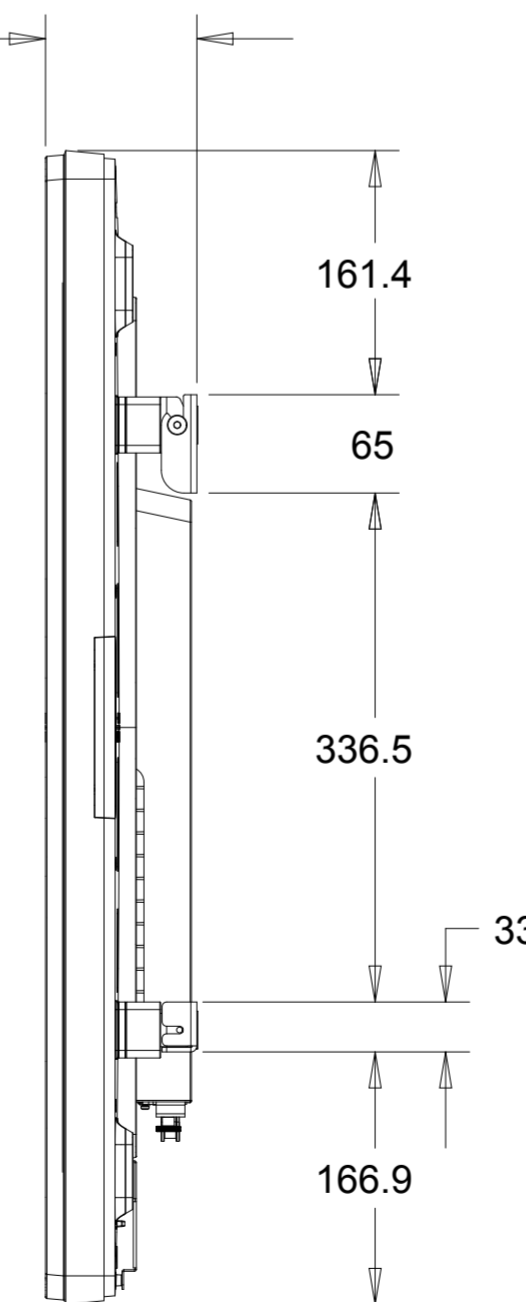
TOTAL THICKNESS INCLUDING BRACKET  
IR = 100.1  
PCAP = 89



PORTRAIT ORIENTATION

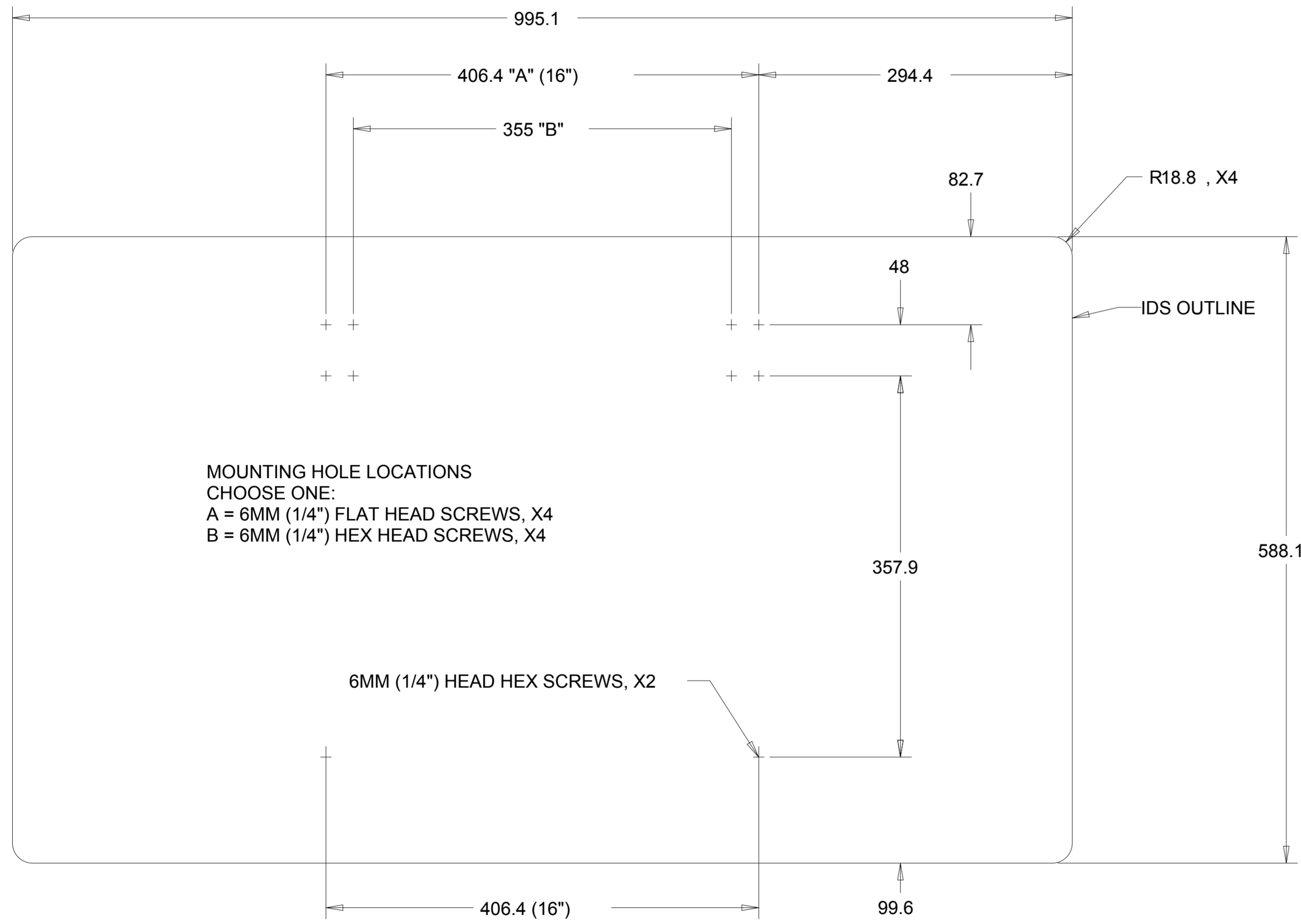


TOTAL THICKNESS INCLUDING BRACKET  
IR = 100.1  
PCAP = 89



MOUNTING HOLE LOCATIONS FOR  
 OPTIONAL LOW PROFILE WALLMOUNT KIT P/N E275050

LANDSCAPE ORIENTATION



PORTRAIT ORIENTATION

