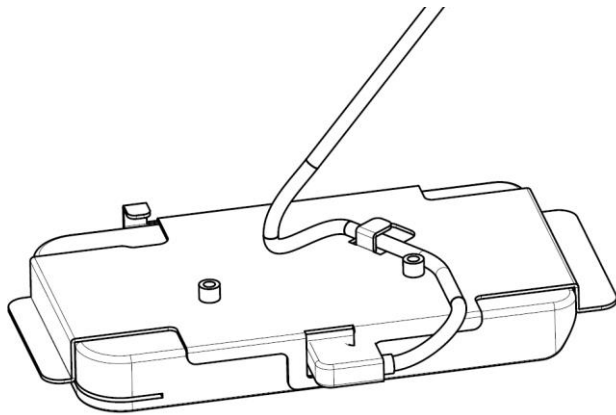


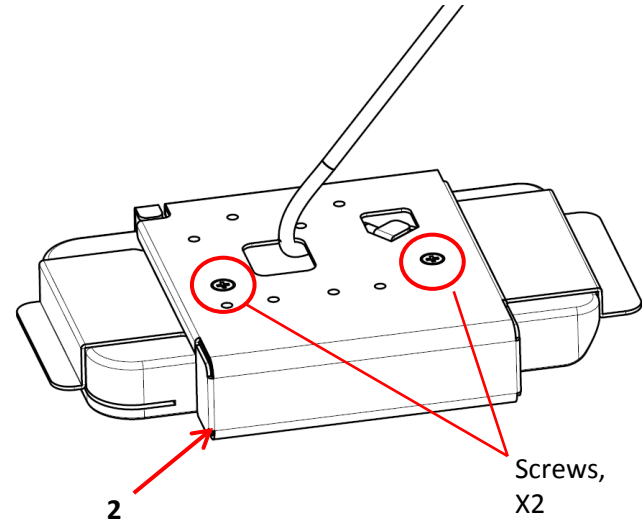
**INSTALLATION INSTRUCTIONS:  
E953516 KIT-EMV-INGENICO ICMP CRADLE-PAYPOINT  
E002639 KIT-EMV-VERIFONE E355 CRADLE-PAYPOINT**



**1-** Add payment module to bracket (1)

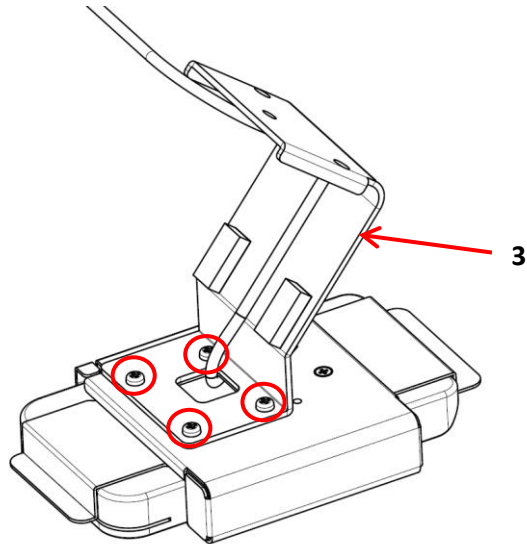


**2-** Add USB cable, route as shown.

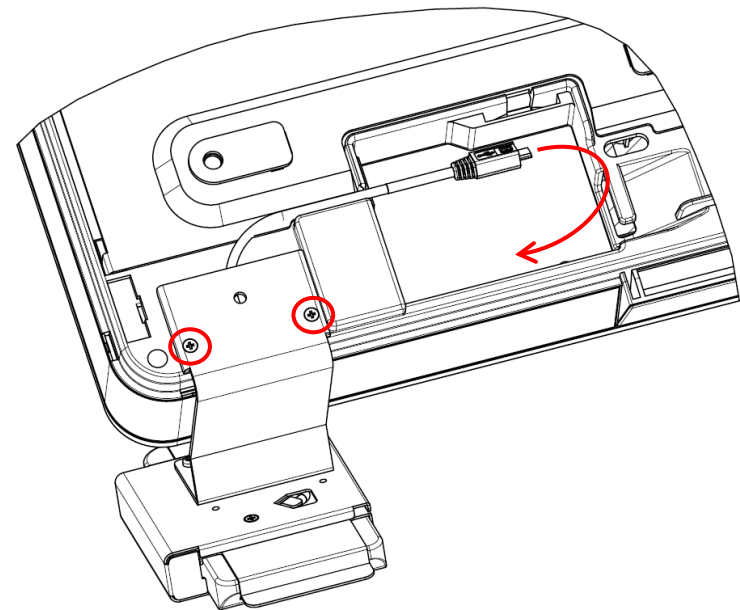


**3-** Add payment module/bracket (1) to bracket (2) with 2 screws from bag L.

**INSTALLATION INSTRUCTIONS:  
E953516 KIT-EMV-INGENICO ICMP CRADLE-PAYPOINT  
E002639 KIT-EMV-VERIFONE E355 CRADLE-PAYPOINT**



**4-** Attach payment module assy. to bracket (3) with 4 screws from bag G.

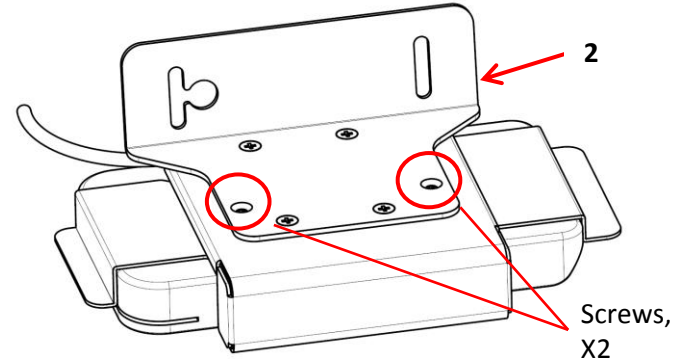


**5-** Attach module + bracket (3) using 2 screws from bag K.  
Attach module USB cable to computer accessory port. Use provided USB type A adapter where needed.

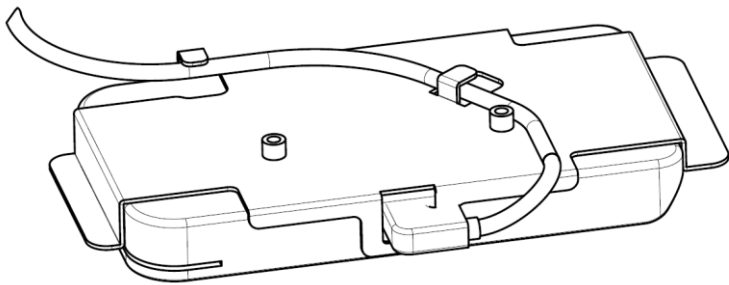
**INSTALLATION INSTRUCTIONS:  
E200788 KIT-EMV-INGENICO ICMP CRADLE-X/IDS02  
E201363 KIT-EMV-VERIFONE E355 CRADLE-X/IDS02**



**1-** Add payment module to bracket (1)



**3-** Add payment module/bracket (1) to bracket (2) with 2 screws from bag C.

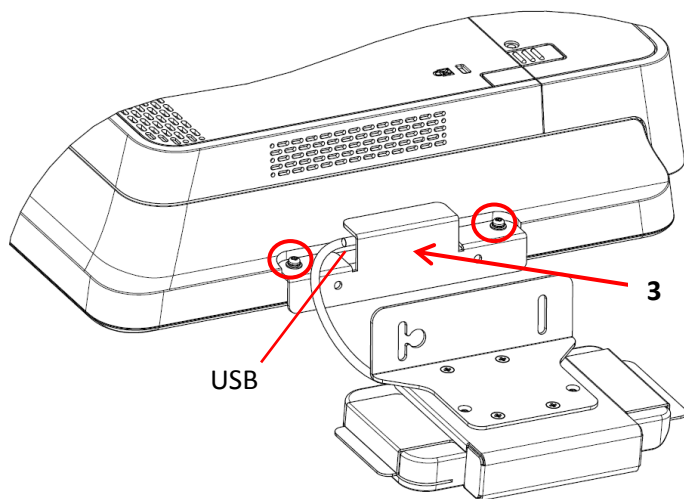


**2-** Add USB cable, route as shown.  
10"/15"/22" landscape = short cable.  
15"/22" portrait = long cable.

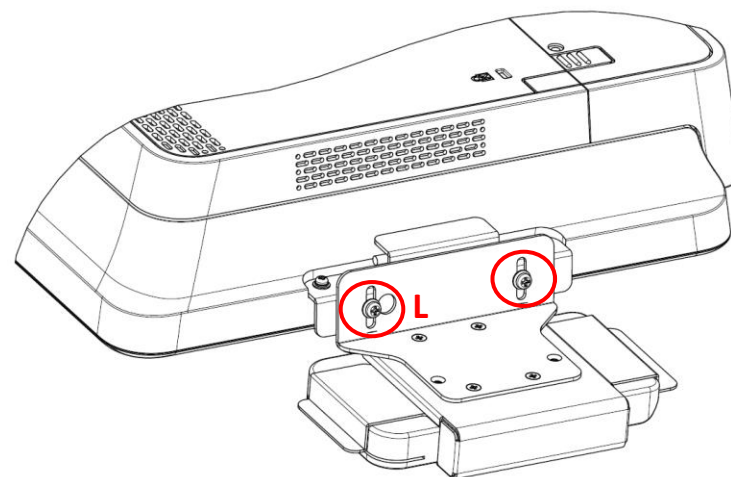
For X-series, see pg. 2.  
For IDS-series, see pg. 3.

**INSTALLATION INSTRUCTIONS:  
E200788 KIT-EMV-INGENICO ICMP CRADLE-X/IDS02  
E201363 KIT-EMV-VERIFONE E355 CRADLE-X/IDS02**

**X-series**



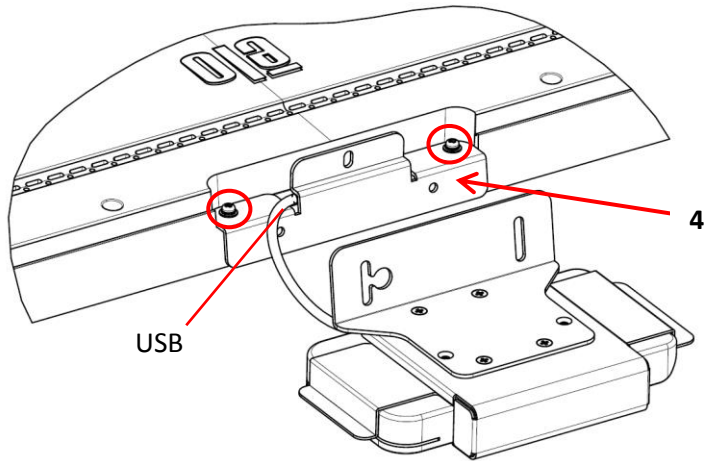
**4-** Attach module USB cable to computer accessory port.  
Attach bracket (3) using 2 screws from bag A.



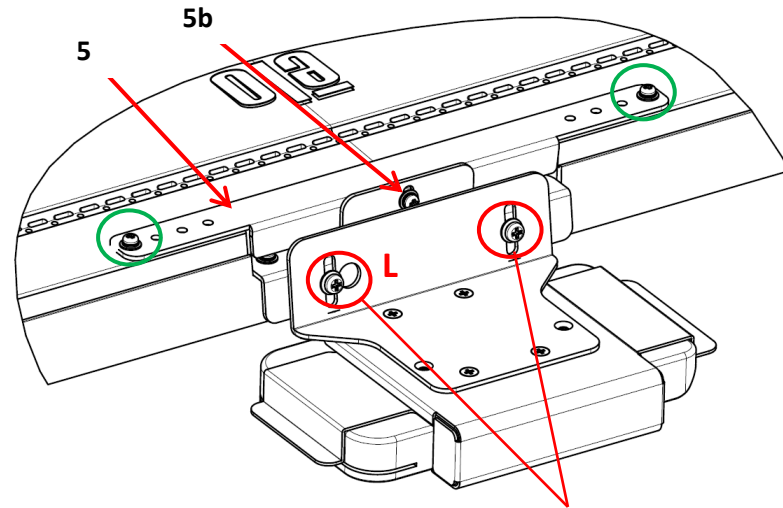
**5-** Attach payment module assy. to bracket (3) with 2 screws from bag D. (Partially attach L screw first and slide on module to aid assy.).

**INSTALLATION INSTRUCTIONS:  
E200788 KIT-EMV-INGENICO ICMP CRADLE-X/IDS02  
E201363 KIT-EMV-VERIFONE E355 CRADLE-X/IDS02**

**IDS-series**



**6-** Attach module USB cable to computer accessory port.  
Attach bracket (3) using 2 screws from bag A.



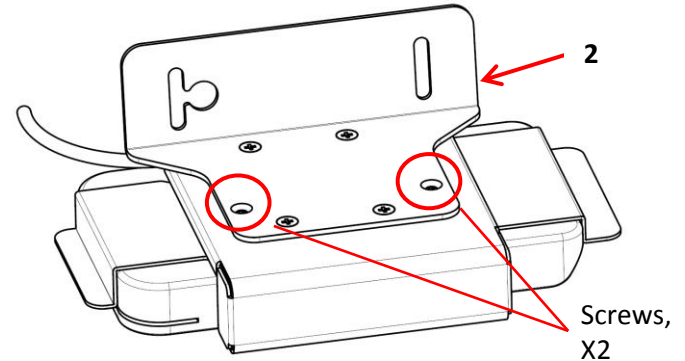
**8-** Remove two existing screws from IDS back-cover (green circles).  
Attach bracket (5) using 2 screws from bag H.  
Add one screw (5b) from bag A.

**7-** Attach payment module assy. to bracket (4) with 2 screws from bag D.  
(Partially attach L screw first and slide on module to aid assy.).

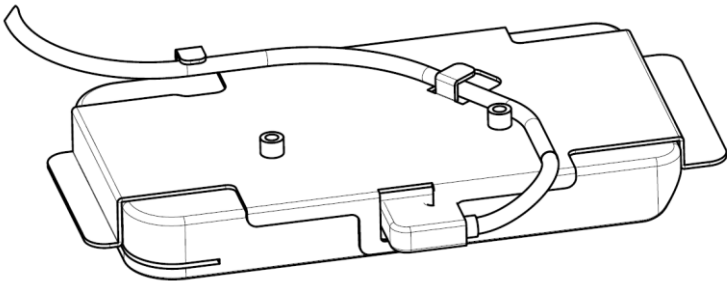
**INSTALLATION INSTRUCTIONS:**  
**E200465 KIT-EMV-INGENICO ICMP CRADLE-I/M**  
**E201088 KIT-EMV-VERIFONE E355 CRADLE-I/M**



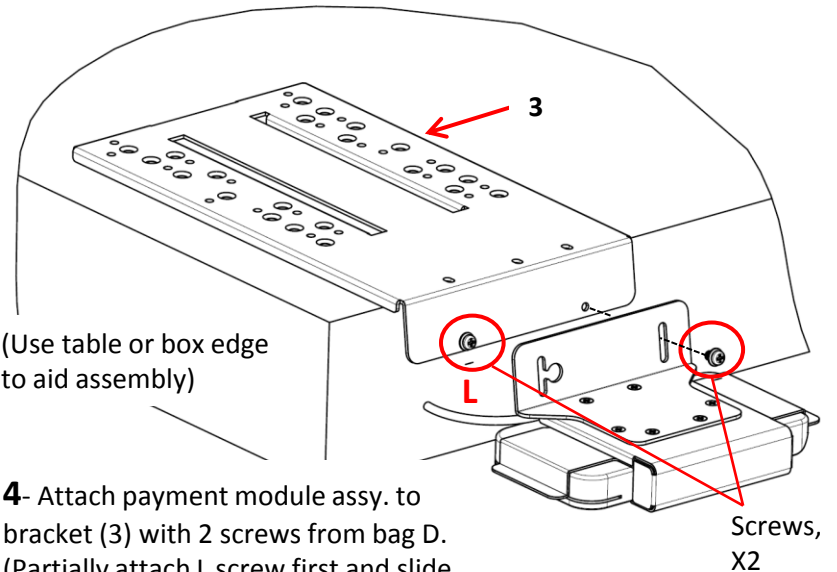
**1-** Add payment module to bracket (1)



**3-** Add payment module/bracket (1) to bracket (2) with 2 screws from bag C.



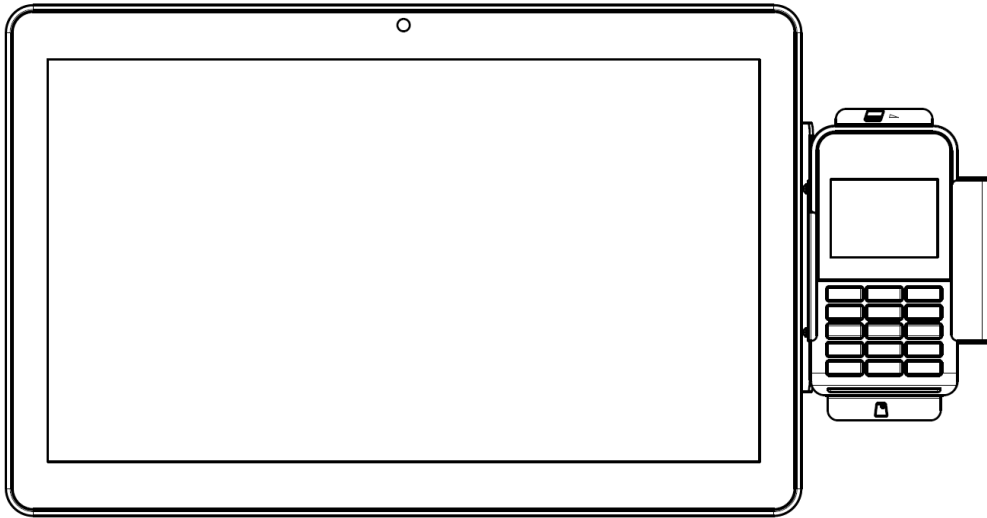
**2-** Add USB cable, route as shown.  
 10"/15"/22" landscape = short cable.  
 15"/22" portrait = long cable.



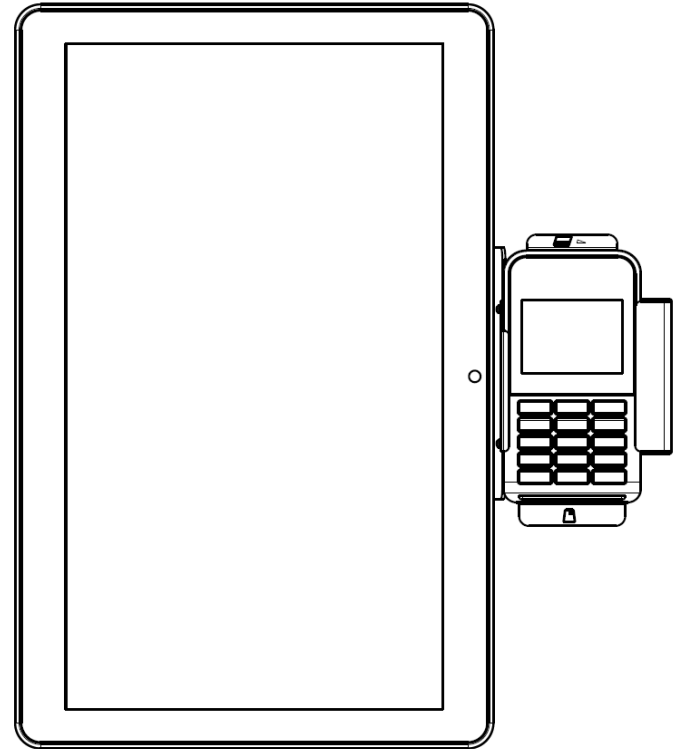
(Use table or box edge to aid assembly)

**4-** Attach payment module assy. to bracket (3) with 2 screws from bag D. (Partially attach L screw first and slide on module to aid assy.).

**INSTALLATION INSTRUCTIONS:  
E200465 KIT-EMV-INGENICO ICMP CRADLE-I/M  
E201088 KIT-EMV-VERIFONE E355 CRADLE-I/M**

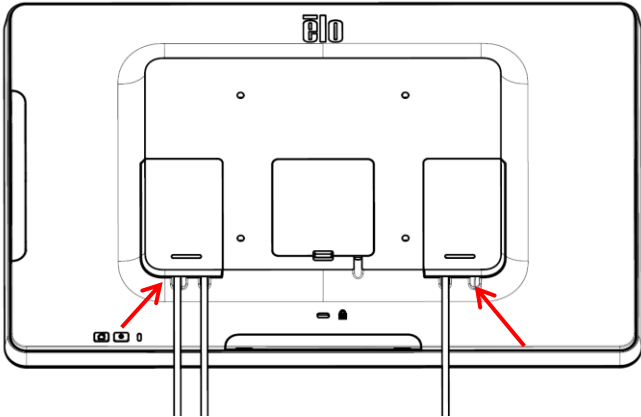


For display in landscape orientation, see pg. 3 -

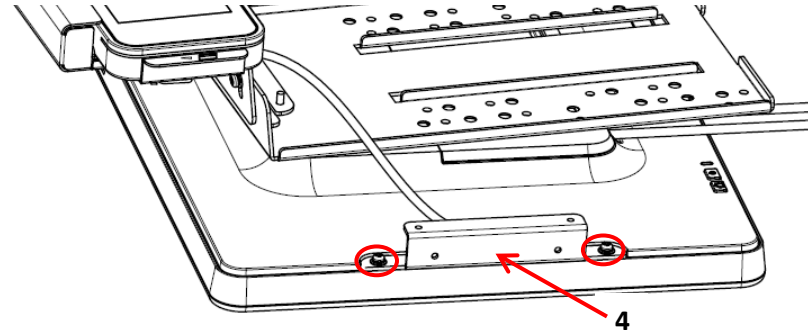


For display in portrait orientation, see pg. 5 -

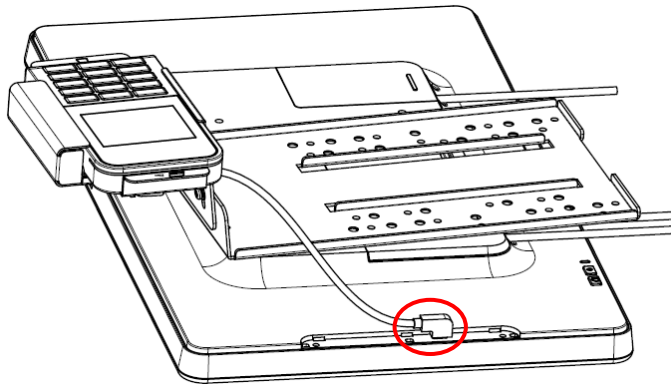
**INSTALLATION INSTRUCTIONS:  
E200465 KIT-EMV-INGENICO ICMP CRADLE-I/M  
E201088 KIT-EMV-VERIFONE E355 CRADLE-I/M**



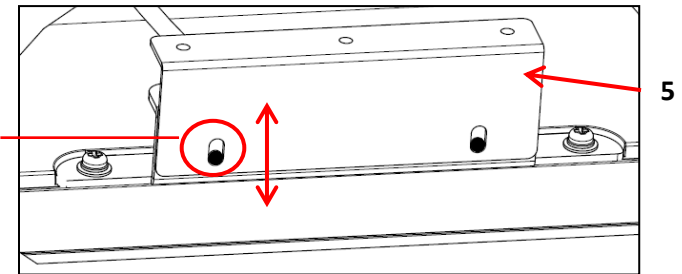
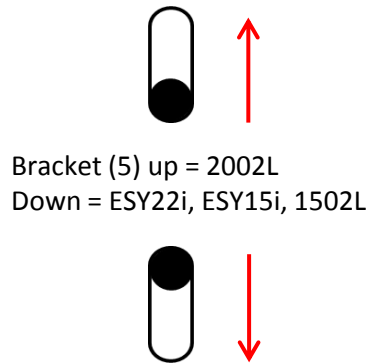
**6-** Attach needed cables to computer / display (eg. pwr., video, USB,).  
Replace L/R cable doors.



**8-** Attach bracket (4) using 2 screws from bag A.



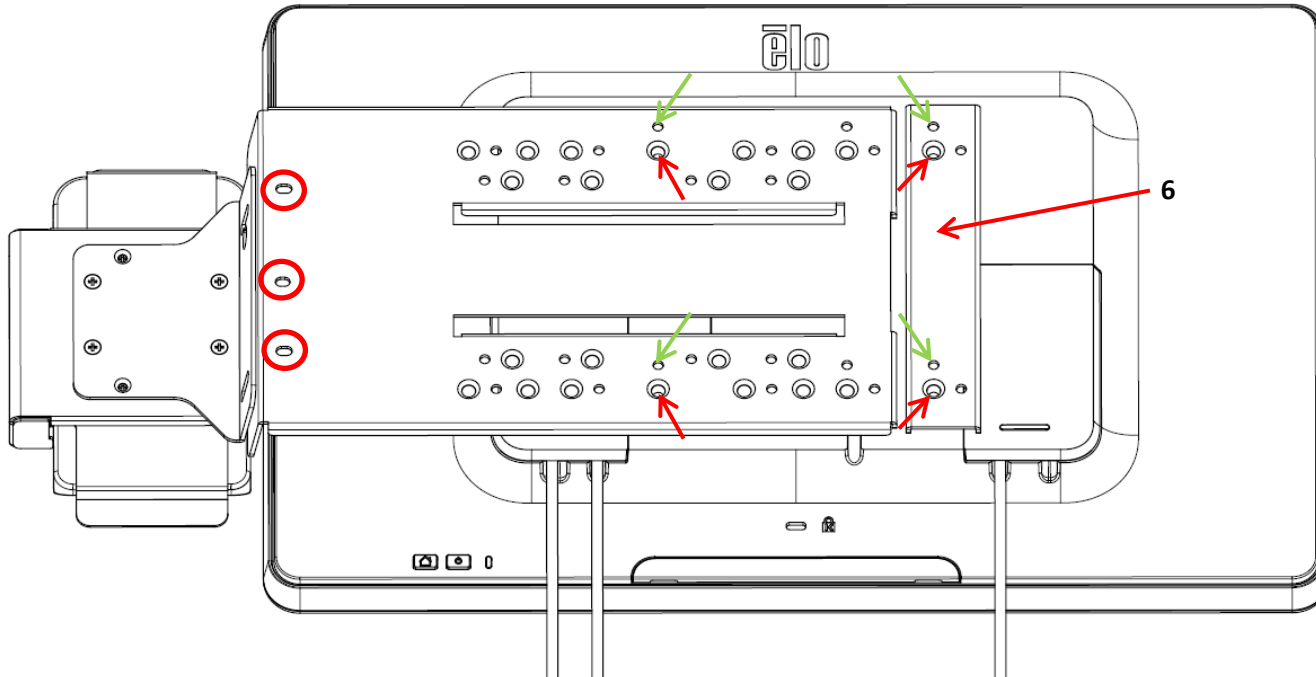
**7-** Attach module USB cable to computer accessory port.



**8b-** Add bracket (5) to bracket (4) using 2 screws from bag J.  
For models 2002L, 1502L, ESY22i, ESY15i.



**INSTALLATION INSTRUCTIONS:  
E200465 KIT-EMV-INGENICO ICMP CRADLE-I/M  
E201088 KIT-EMV-VERIFONE E355 CRADLE-I/M**



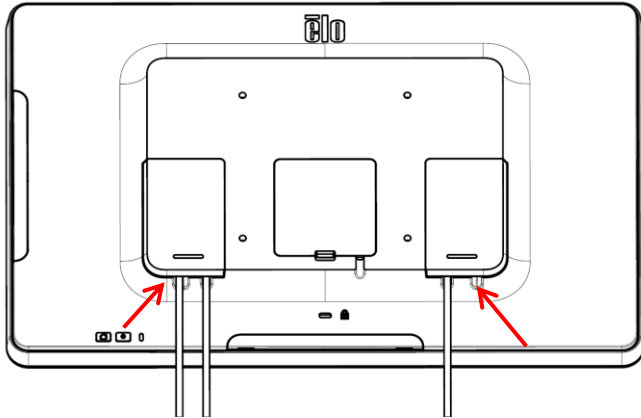
**9-** Attach bracket (3) assy. to VESA mount with 2 M4 flat head screws\*. For all systems larger than 10", attach bracket (6) with 2 M4 flat head screws\* (red arrows).

\*Use screws in bag E for 10"/15" systems, bag F for systems larger than 15".

Attach bracket (3) assy. to bracket (4) or (5) using screw(s) from bag A (red circles). One screw in mid. hole for ESY15/22i.

Use 4 - M4 threaded holes next to screws in VESA area to mount whole system to stand / wall bracket (green arrows).

**INSTALLATION INSTRUCTIONS:  
E200465 KIT-EMV-INGENICO ICMP CRADLE-I/M  
E201088 KIT-EMV-VERIFONE E355 CRADLE-I/M**



**10-** Attach needed cables to computer / display (eg. pwr., video, USB,).  
Replace L/R cable doors.

**11-** Attach bracket (3) assy. to VESA mount with 4 M4 flat head screws\* (red arrows).  
\*Use screws in bag E for 10"/15" systems, bag F for systems larger than 15".

Attach module USB cable to computer accessory port.

Attach bracket (4) using 2 screws from bag A. (red circles).

Use 4 - M4 threaded holes next to screws in VESA area to mount whole system to stand / wall bracket (green arrows).

