

Waterproof magnetic lock for electronic sliding and swing gates.

Elsema part No: ML03WP

Features

- Dual Voltage. 12/24VDC User selectable.
- Fully waterproof. For outdoor use
- Holding Force up to 540KG/1200lbs
- Low standby current
- Corrosion free
- No noise
- No magnetism during power failure
- Built-in Voltage spike suppressor



Application

- Sliding gates or swing gates
- Overhead doors or door entrance

Description

The ML03WP is an electromagnetic lock which is designed to hold up to 540Kg force. The ML03WP magnetises when 12/24VDC is applied to the supply wires. The ML03WP is fully waterproof and is ideal for installation on outside electronic sliding or swing gates, doors etc.

The lock must be rigidly mounted to the gate post. The armature is designed to pivot slightly to compensate for reasonable misalignment.

Due to the wide diversity of gate designs custom mounting brackets may be necessary to facilitate the installation.

An optional L-Z bracket (LZ03) can be used to accommodate the majority of gate and door applications. The lock is mounted to the vertical gate post. The armature is mounted to the leading edge of the gate.

Technical Data

Power Source	12 Volts DC	24 Volts DC
Operating Current	500mA	250mA
Holding Force	540Kg, 1200lbs.	
Output	Reed switch output: Com, NC. Rated at 500mA at 30VDC/AC	
Connections	Striped wire	
Shipping Weight (Including brackets)	4500 grams	
Dimensions	Lock	220 x 64 x 41mm
	Armature	185 x 61 x 16mm

Input Voltage selection/ Output

12VDC : Connect Green and Orange wires together for “-“ (negative) 12VDC

: Connect Red and Black wires together for “+” (positive) 12VDC

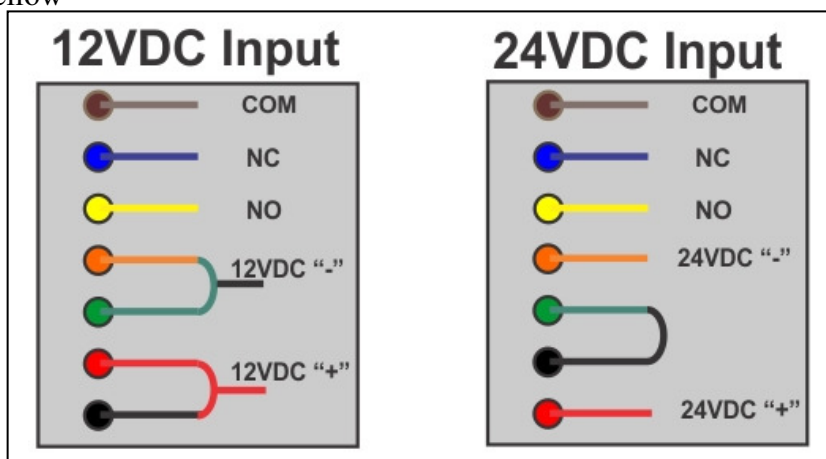
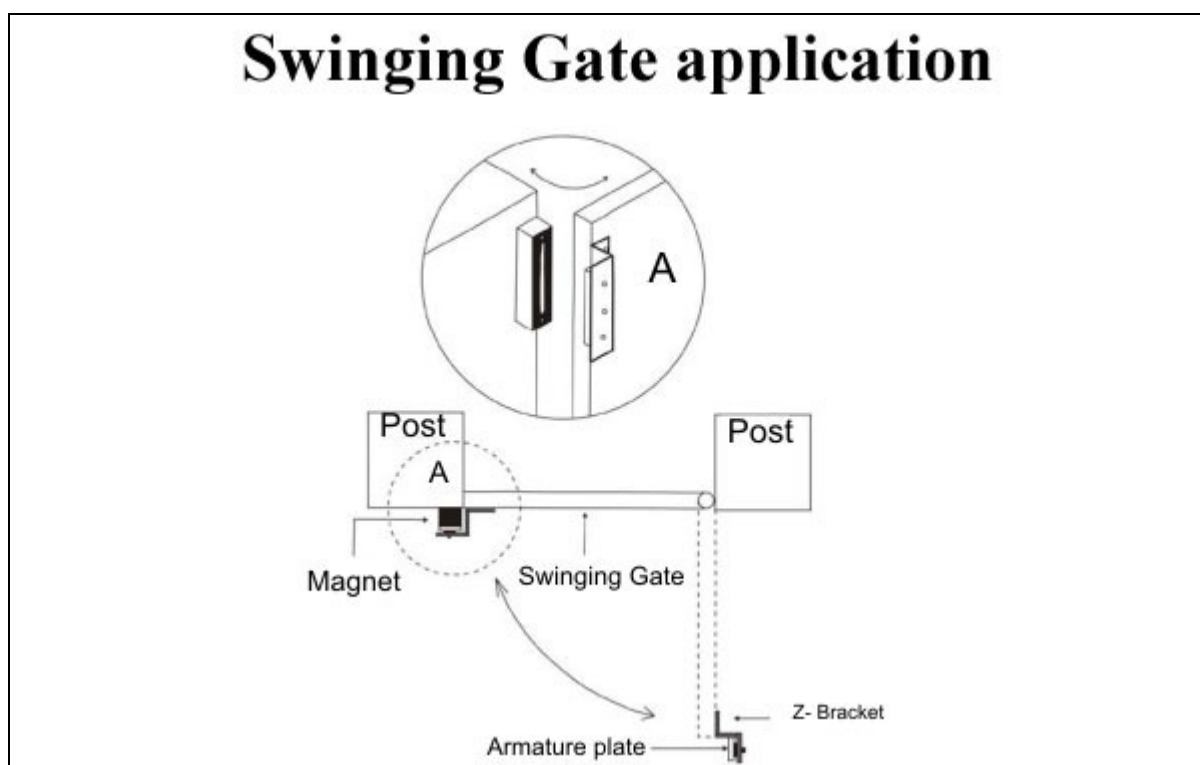
24VDC : Connect Green and Black together and supply 24VDC to Red and Orange wires. Red for “+” and Orange for “-“.

Reed switch output (indicates when lock is active)

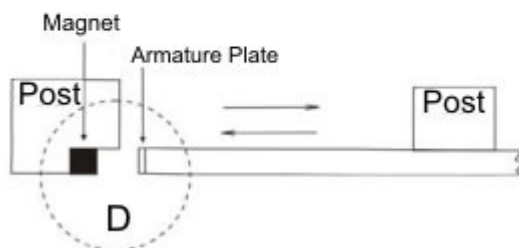
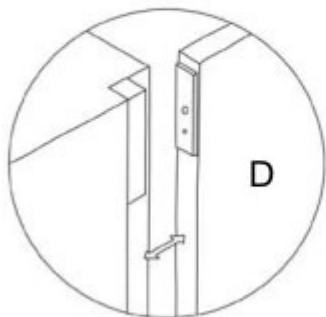
Common: Brown

Normally closed: Blue

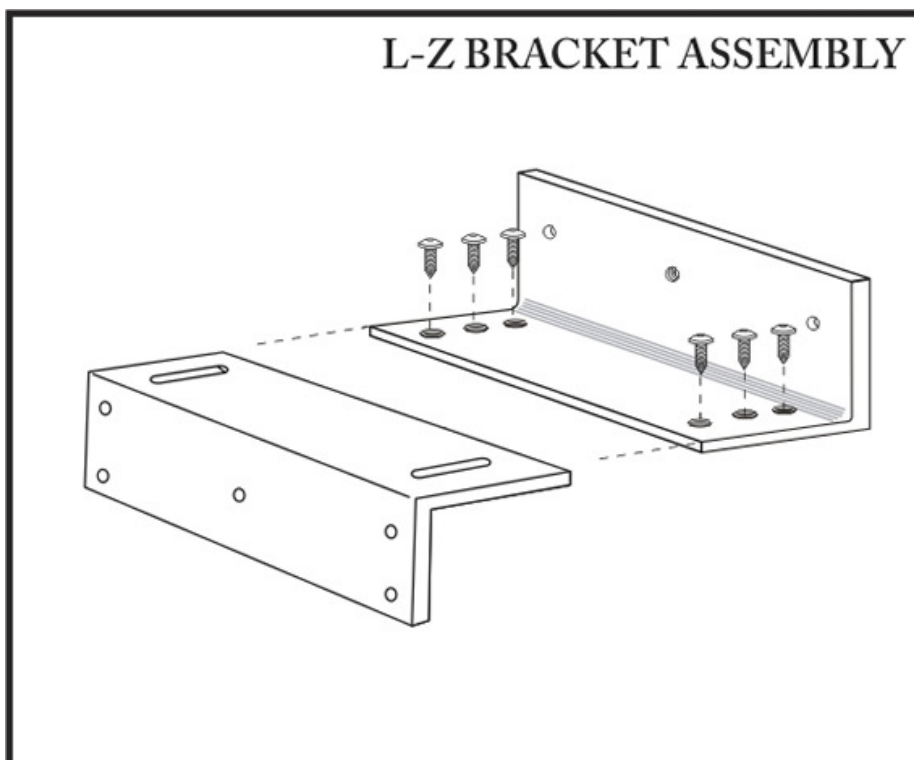
Normally open: Yellow

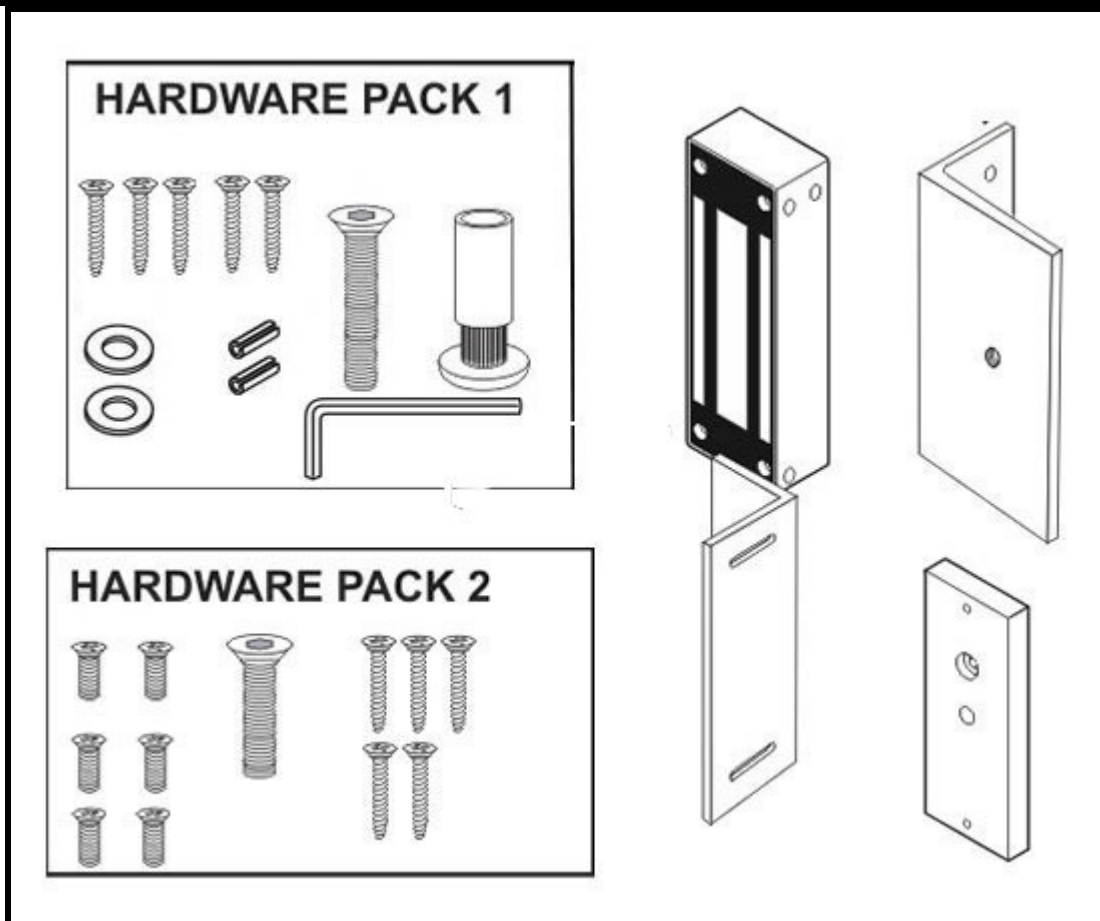
**Typical Installations for gates**

Sliding Gate application



L-Z Bracket Assembly (Optional)



**Manufactured by****Elsema Pty Ltd**

31 Tarlington Place, Smithfield

NSW 2164, Australia

Ph: 02 9609 4668

Fax: 02 9725 2663

Website: <http://www.elsema.com>