

# LUMENOSITY EmergencyLED

Solid State LED Emergency Lighting

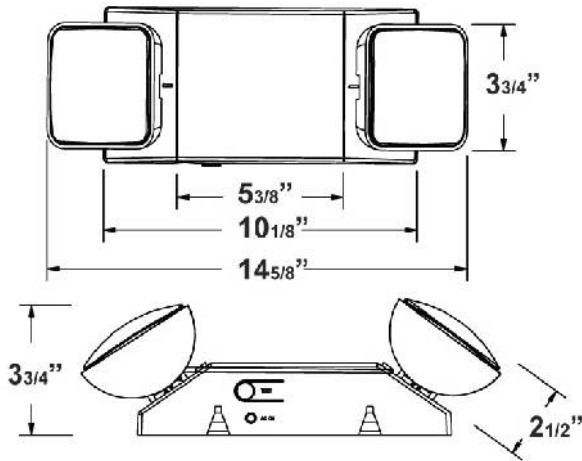
## LED Solution for Emergency Lighting



- Five Year Warranty
- 1W per head
- White housing standard (Black available)
- 120V-277V operation
- 6.3V NiCad battery for 90-minute illumination
- Both LED heads adjustable, including center to center and directional
- LED indicator for charging / test switch
- Top and side knockouts for conduit
- Suitable for wall or ceiling mount
- UL listed, damp location. Meets UL924, and NFPA 101 Life Safety Code, NEC, OSHA



### Dimensions:



## Information

LED lighting is now on the cutting edge of emergency lighting. The EmergencyLED fixture from Lumenosity is the latest example of how this low-cost and long-life technology is revolutionizing life and fire safety.

Operating anywhere from 120V-277V, the two headed fixture draws a mere 1 Watt per head. This lets a small, inexpensive NiCad battery drive the unit for 90 minutes, with full recharge in 24 hours.

The housing is made of high-impact, 5VA flame retardant plastic and both heads are adjustable, including center to center and directional.

Our unit is UL listed (UL924) for damp or dry locations and also meets NFPA 101.

Standard unit is a white housing, though black is available on special orders.