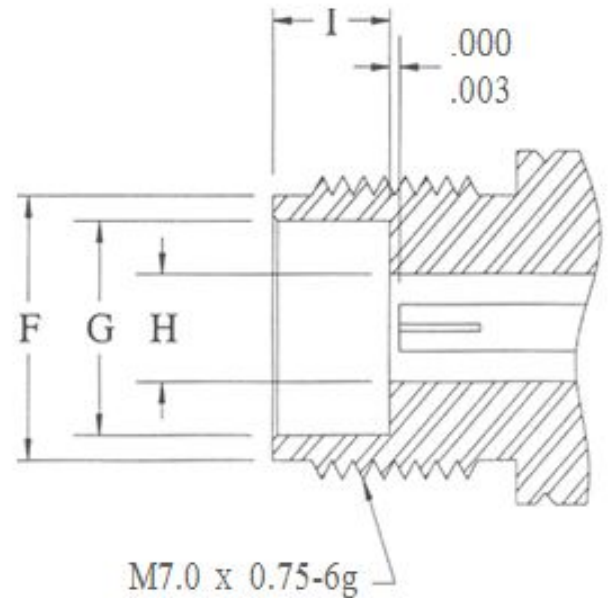
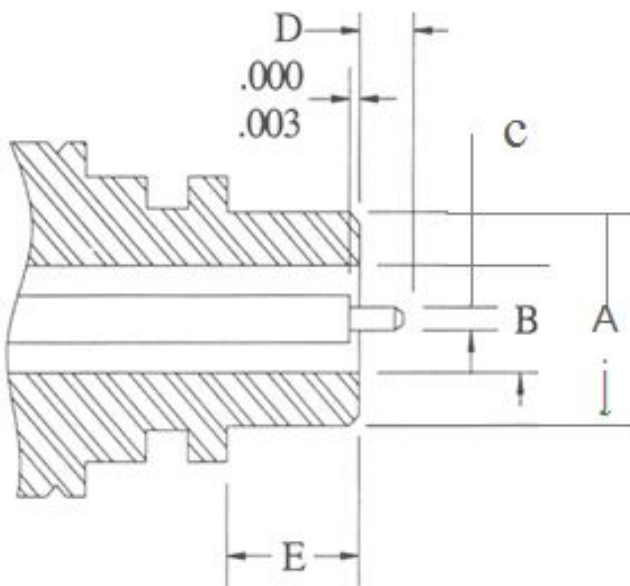


2.4mm Connector Interface

DOCUMENT No: INTERFACE-2.4MM

SHEET 1 OF 1
REV -



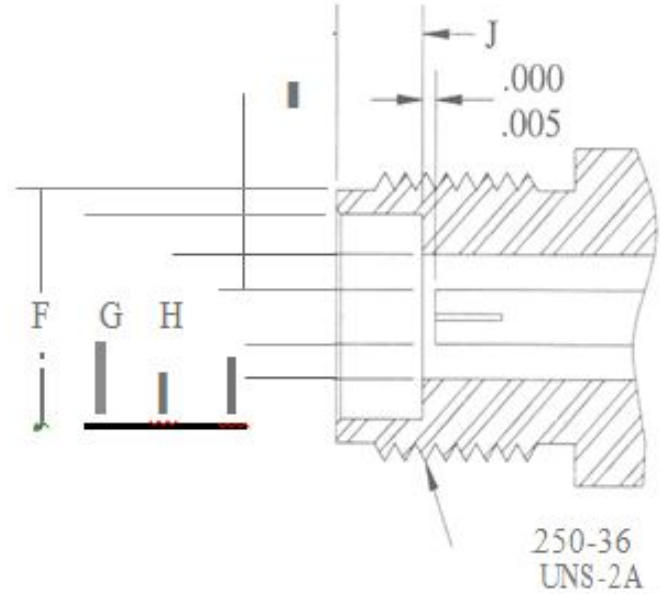
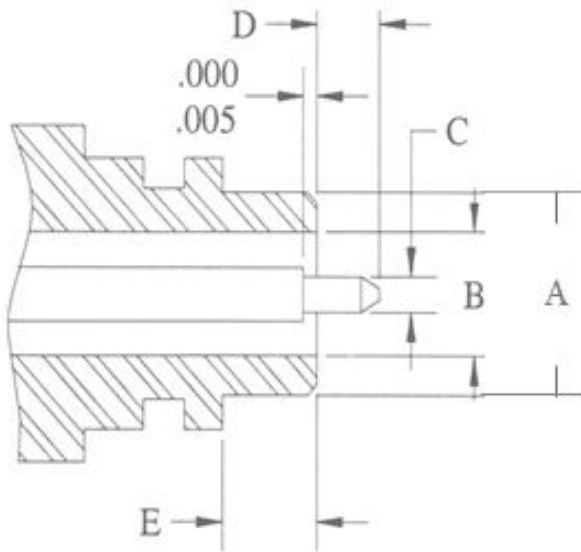
DIMENSIONS		
LETIER	INCHES	mm
A	.1875/.1865	4.7
B	.095/.094	2.4
C	.0205/.0195	0.5
D	.058/.052	1.4
E	.137/.133	3.4

DIMENSIONS		
LEfiER	fNCHES	mm
F	.2321.229	5.8
G	.1886/.1880	4.8
H	.095/.094	2.4
I	.121/.119	3.0

2.9mm Connector Interface

DOCUMENT No: INTERFACE-2.9MM

SHEET 1 OF 1
REV -



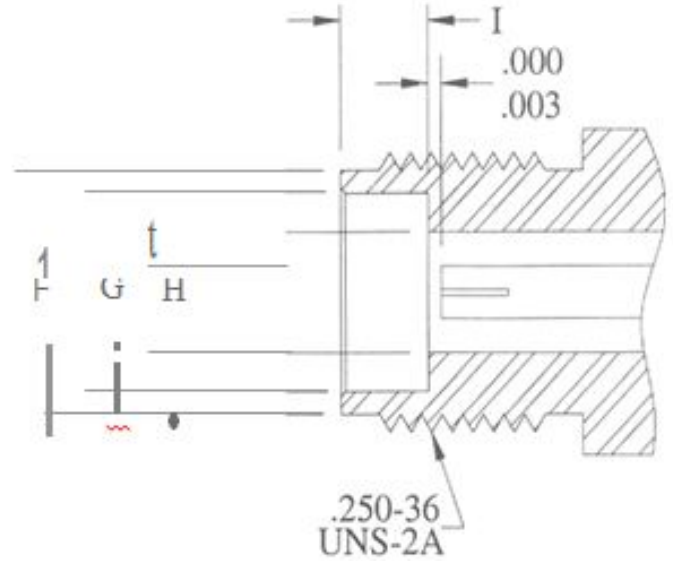
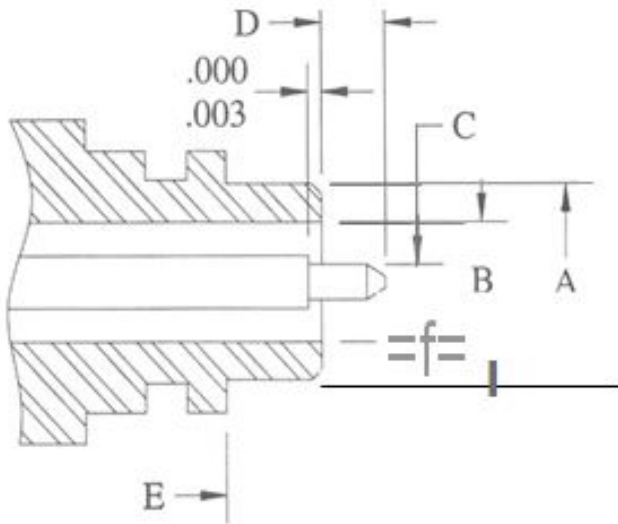
DIMENSIONS		
LEITER	INCHES	mm
A	.1808/.1783	4.54
B	.1153/.1147	2.9
C	.0365/.0355	.914
D	.070/.060	1.65
E	.096/.092	2.38

DIMENSIONS		
LETTER	INCHES	mm
F	.212/.208	5.33
G	.183/.181	4.62
H	.1153/.1147	2.9
I	.0503/.0497	1.27
J	.077/.075	1.93

3.5mm Connector Interface

DOCUMENT No: INTERFACE-3.5MM

SHEET 1 OF 1
REV -



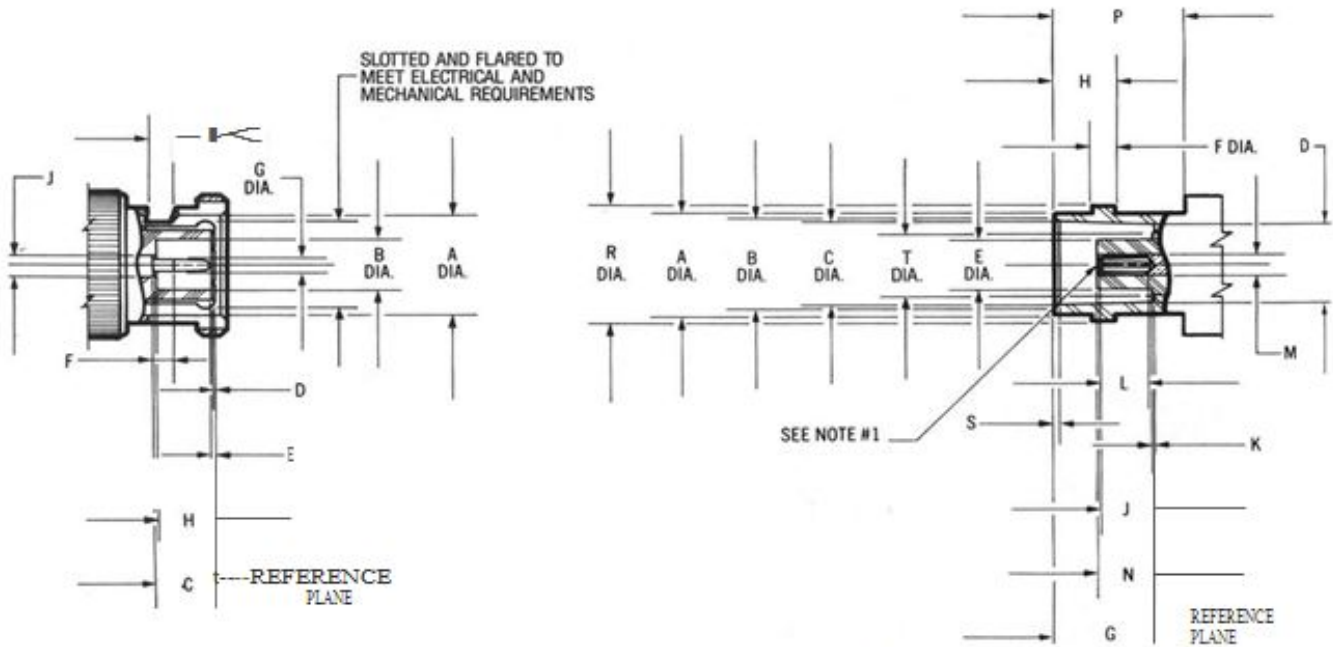
DIMENSIONS		
LETTER	INCHES	mm
A	.1808/.1783	4.54
B	.1383/.1373	3.5
C	.0365/.0355	.914
D	.070/.060	1.65
E	.096/.092	2.38

DIMENSIONS		
LETTER	INCHES	mm
F	.212/.208	5.33
G	.183/.181	4.62
H	.1383/.1373	3.5
I	.077/.075	1.93

BNC Connector Interface

DOCUMENT No: INTERFACE-BNC

SHEET 1 OF 1
REV -



**(Male)
Plug**

Letter	Inches (Millimeters) 3	
	Minimum	Maximum
A	.385 (9.78)	.390 (9.91)
B	.190 (4.83)	-
C	.210 (5.33)	.230 (5.8)
D	.006 (0.15)	.018 (0.46)
E	.003 (0.08)	-
F	.078 (2.00)	-
G	.052 (1.32)	.054 (1.37)
H	.208 (5.28)	.228 (5.79)
J	.081 (2.06)	.087 (2.21)
K	.091 (2.31)	.097 (2.46)

**(Female)
Jack**

Letter	Inches (Millimeters) 3	
	Minimum	Maximum
A	.378 (9.60)	-
B	.346 (8.80)	.356 (9.04)
C	.327 (8.31)	.333 (8.46)
D	.319 (8.10)	.321 (8.15)
E	-	.186 (4.72)
F	.075 (1.91)	.081 (2.06)
G	.329 (8.36)	.335 (8.50)
H	.204 (5.18)	.208 (5.28)
J	.186 (4.7)	.206 (5.23)
K	-	.006 (0.15)
L	.195 (4.95)	-
M	.081 (2.06)	.087 (2.21)
N	.188 (4.80)	.208 (5.28)
P	.414 (10.52)	-
R	.432 (10.97)	.436 (11.07)
S	.015 (0.38)	.030 (0.76)
T	-	.256 (6.50)

1. 10 to meet VSWR, contact resistance and insertion withdrawal forces when mated with $053 \pm .001$ ($134 \pm .02$ mm) dia. pin.
2. When fully engaged, the two reference planes must coincide with metal to metal contact.
3. Metric equivalents (to the nearest 0.01mm) are given for general information only.

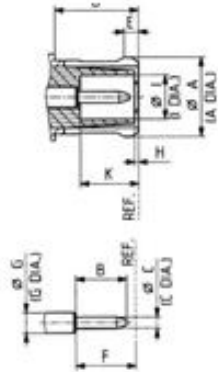
MCX Connector Interface

DOCUMENT No: INTERFACE-MCX

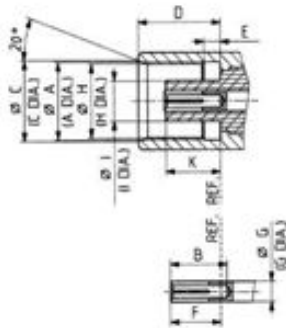
SHEET 1 OF 1
REV -

Interface Dimensions

(Male)
Plug



(Female)
Jack



Interface Dimensions in mm/Inches

	Plug		Jack	
	min.	max.	min.	max.
A	3.72/.146*	3.80/.150*	3.60/.142	3.70/.146
B	2.49/.098	2.59/.102	2.80/.110	—
C	0.48/.019	0.53/.021	3.75/.148	3.85/.152
D	4.15/.163	—	4.00/.157	4.12/.162
E	0.70/.028	0.75/.030	0.75/.030	0.85/.033
F	2.80/.110	3.20/.126	2.30/.091	2.80/.110
G	0.95/.037 nom.		0.95/.037 nom.	
H	—	0.30/.012	3.42/.135	3.48/.137
I	2.00/.079	2.07/.081	1.80/.071	1.98/.078
K	2.80/.110	3.20/.126	2.60/.102	2.80/.110

* prior to slotting

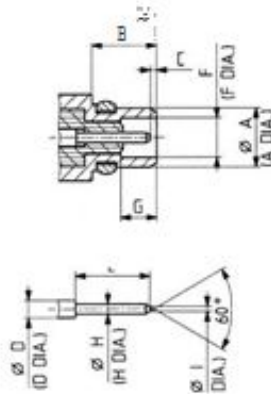
MMCX Connector Interface

DOCUMENT No: INTERFACE-MMCX

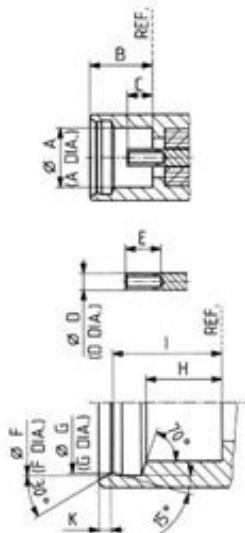
SHEET 1 OF 1
REV -

Interface Dimensions

(Male)
Plug



(Female)
Jack



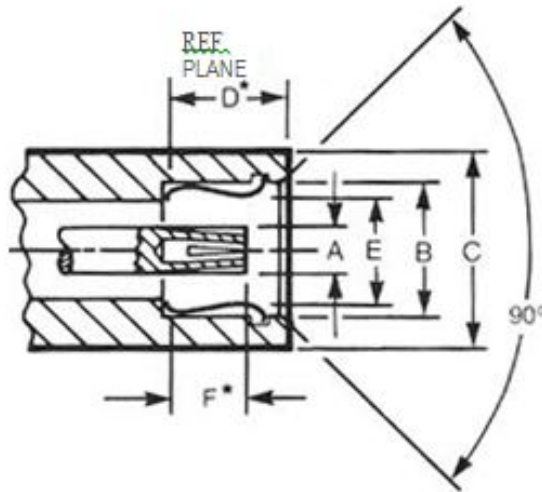
Interface Dimensions in mm / inches

	Plug		Jack	
	min.	max.	min.	max.
A	—	2.40/.094	2.41/.095	—
B	2.70/.106	—	2.60/.102	—
C	0.00/.000	0.25/.010	0.90/.035	1.20/.047
D	0.70/.028 nom.		0.70/.028 nom.	
E	—	3.15/.124	1.40/.055	—
F	1.58/.062	1.62/.064	3.00/.118	3.04/.120
G	1.45/.057	—	2.88/.113	2.90/.114
H	0.38/.015	0.42/.017	1.57/.062	1.63/.064
I	—	0.20/.008	2.30/.091	2.34/.092
K	—	—	—	0.23/.009

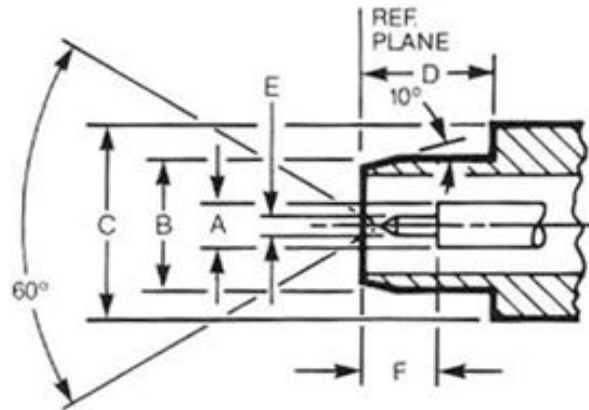
OSP Connector Interface

DOCUMENT No: INTERFACE-OSP

SHEET 1 OF 1
REV -



**(Female)
Jack**



**(Male)
Plug**

Letter	Inches (Millimeters)
A	.070 (1.78) Nom.
B	.225 (5.72) Min.
C	.300 (7.62) Ref.
D	.197 (5.00) Nom.*
E	.200 (5.08) Max.
F	.127 (3.23) Max.**

Letter	Inches (Millimeters)
A	.070 (1.78) Nom.
B	.210 (5.33) Nom.
C	.300 (7.62) Ref.
D	.199 (5.05) Min.
E	.036 (0.91) Nom.
F	.128 (3.25) Min.

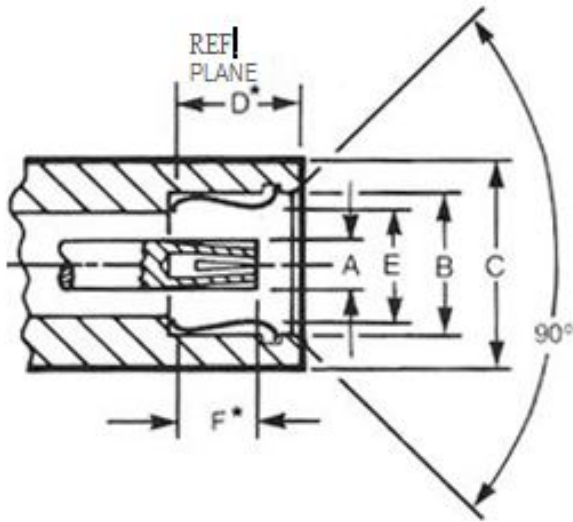
*with spring bottomed.

Metric equivalents (to the nearest 0.001mm) are given for general information only.

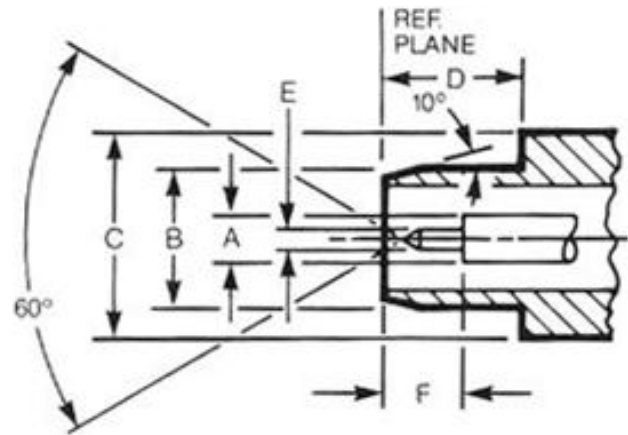
OSSM Connector Interface

DOCUMENT No: INTERFACE-OSSM

SHEET 1 OF 1
REV -



**(Female)
Jack**



**(Male)
Plug**

Letter	Inches (Millimeters)
A	.070 (1.78) Nom.
B	.225 (5.72) Min.
C	.300 (7.62) Ref.
D	.197 (5.00) Nom.*
E	.200 (5.08) Max.
F	.127 (3.23) Max.*

Letter	Inches (Millimeters)
A	.070 (1.78) Nom.
B	.210 (5.33) Nom.
C	.300 (7.62) Ref.
O	.199 (5.05) Min.
E	.036 (0.91) Nom.
F	.128 (3.25) Min.

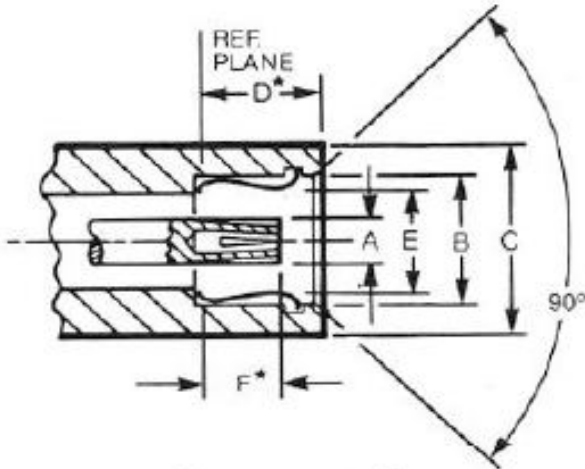
-with spring bottomed.

Metric equivalents (to the nearest 0.001mm) are given for general information only.

OSSP Connector Interface

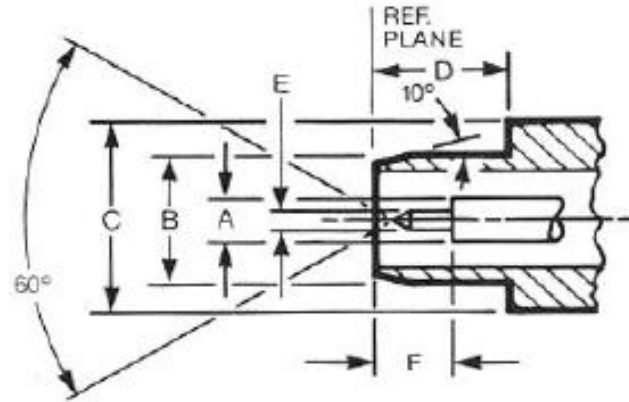
DOCUMENT No: INTERFACE-OSSP

SHEET 1 OF 1
REV -



**(Female)
Jack**

Letter	Inches (Millimeters)
A	.048 (1.22) Nom.
B	.154 (3.91) Min.
C	.210 (5.33) Ref.
D	.197 (5.00) Nom.*
E	.132 (3.35) Max.
F	.127 (3.23) Max.*



**(Male)
Plug**

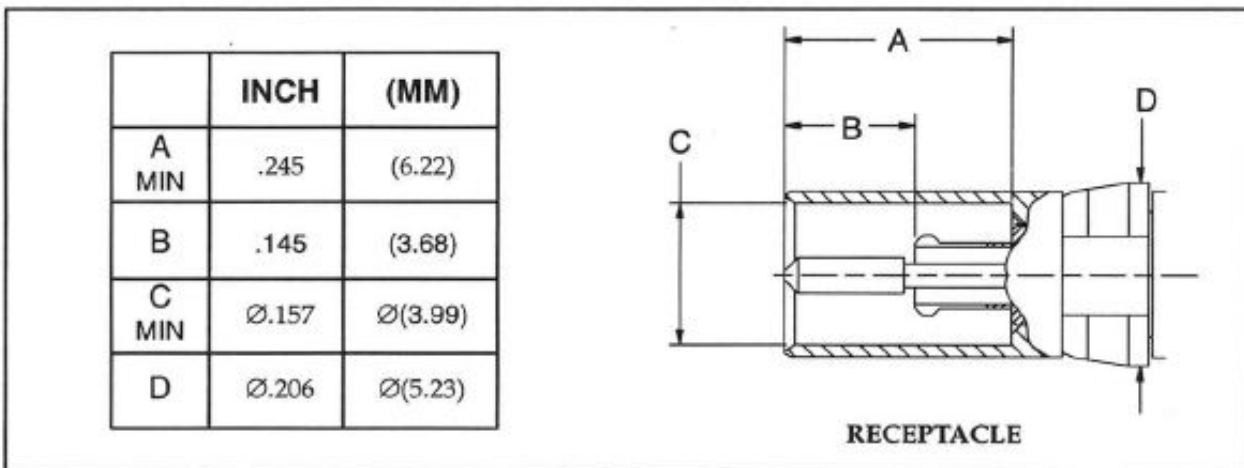
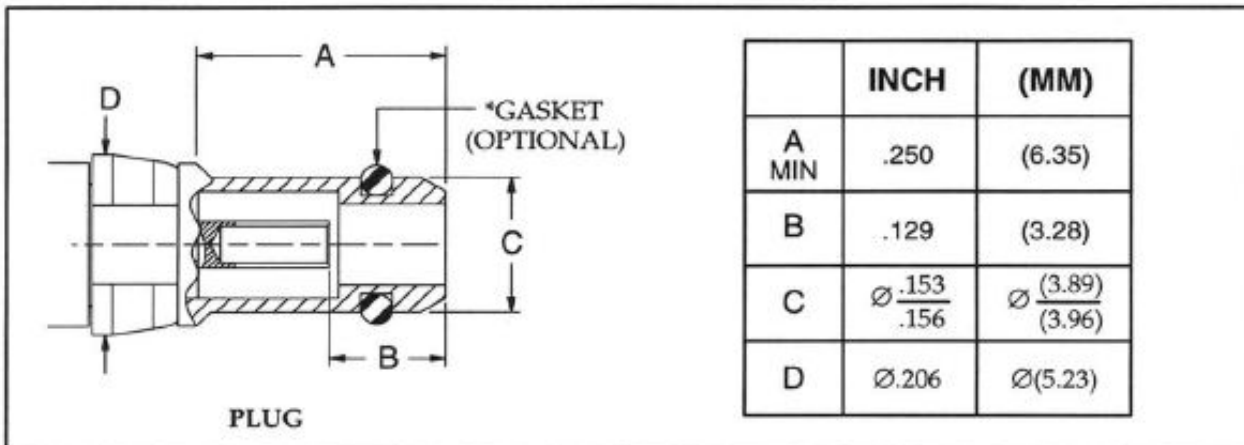
Letter	Inches (Millimeters)
A	.048 (1.22) Nom.
B	.140 (3.56) Nom.
C	.210 (5.33) Ref.
D	.199 (5.00) Min.
E	.020 (0.51) Nom.
F	.128 (3.25) Min.

*With spring bottomed.

Metric equivalents (to the nearest 0.01mm) are given for general information only.

PKZ[®] 26 SERIES SIZE 8 CONTACT

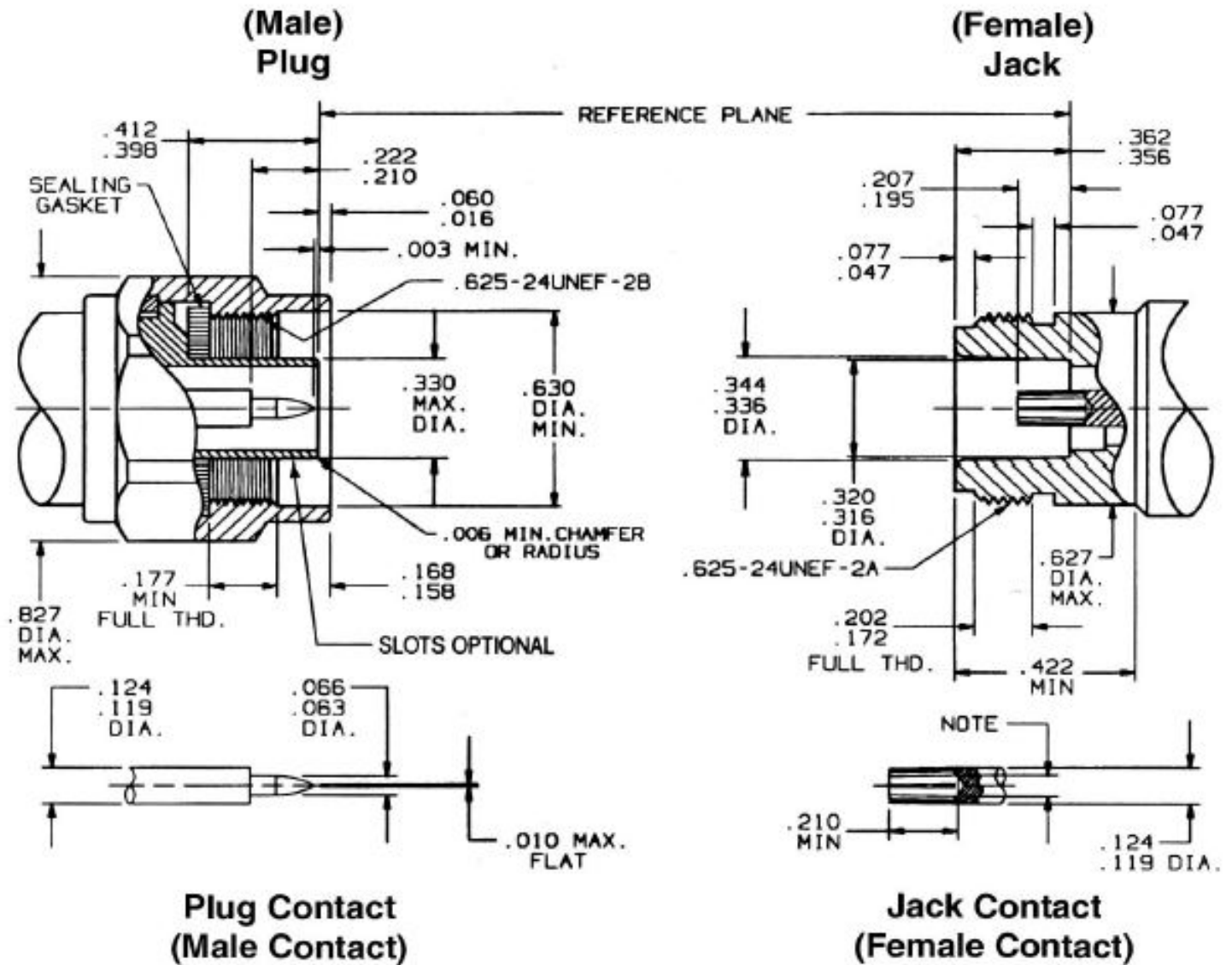
INTERFACE DRAWINGS



PN Connector Interface

DOCUMENT No: INTERFACE-PN

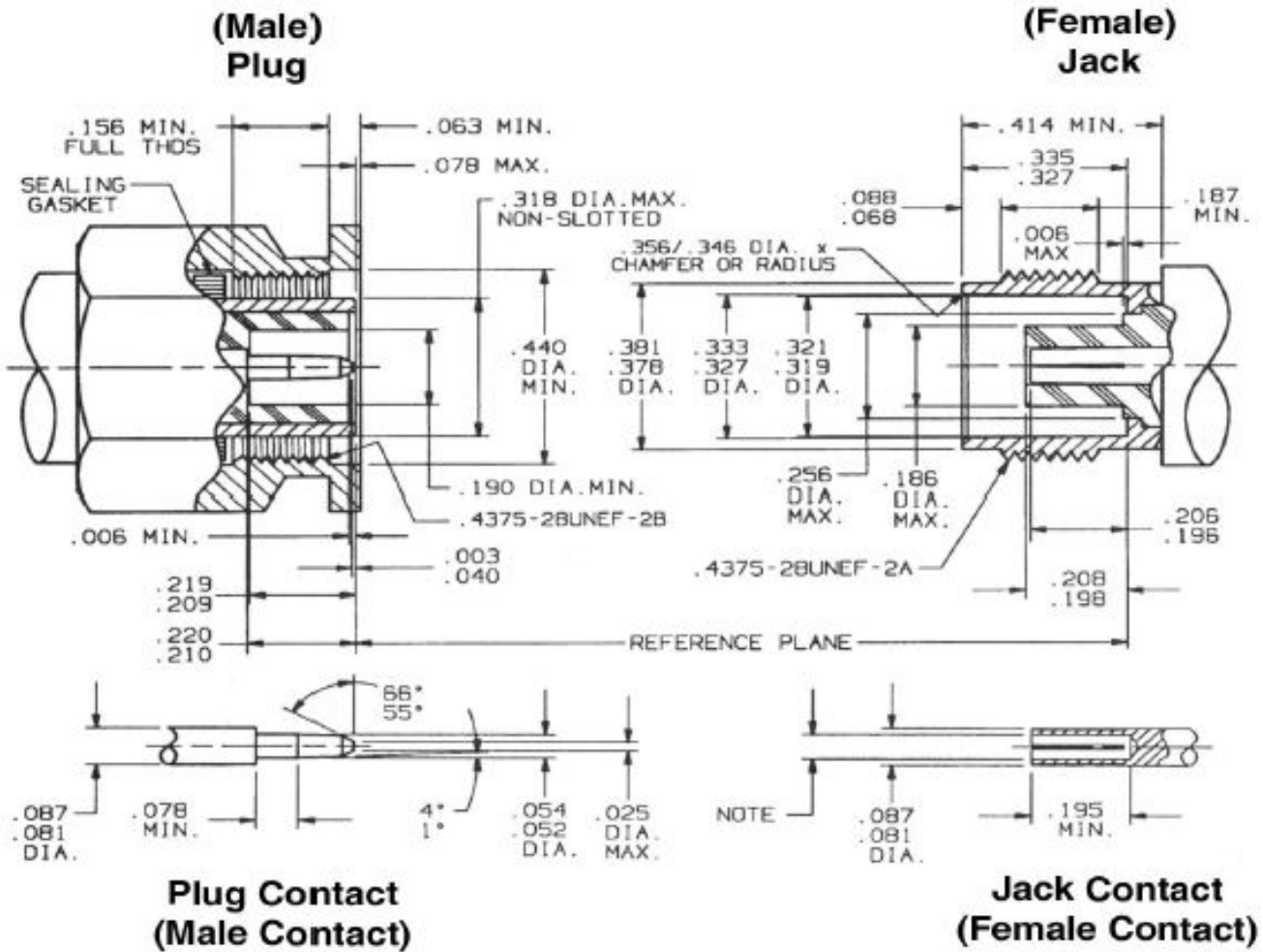
SHEET 1 OF 1
REV -



PTNC Connector Interface HIGH FREQUENCY

DOCUMENT No: INTERFACE-PTNC

SHEET 1 OF 1
REV -



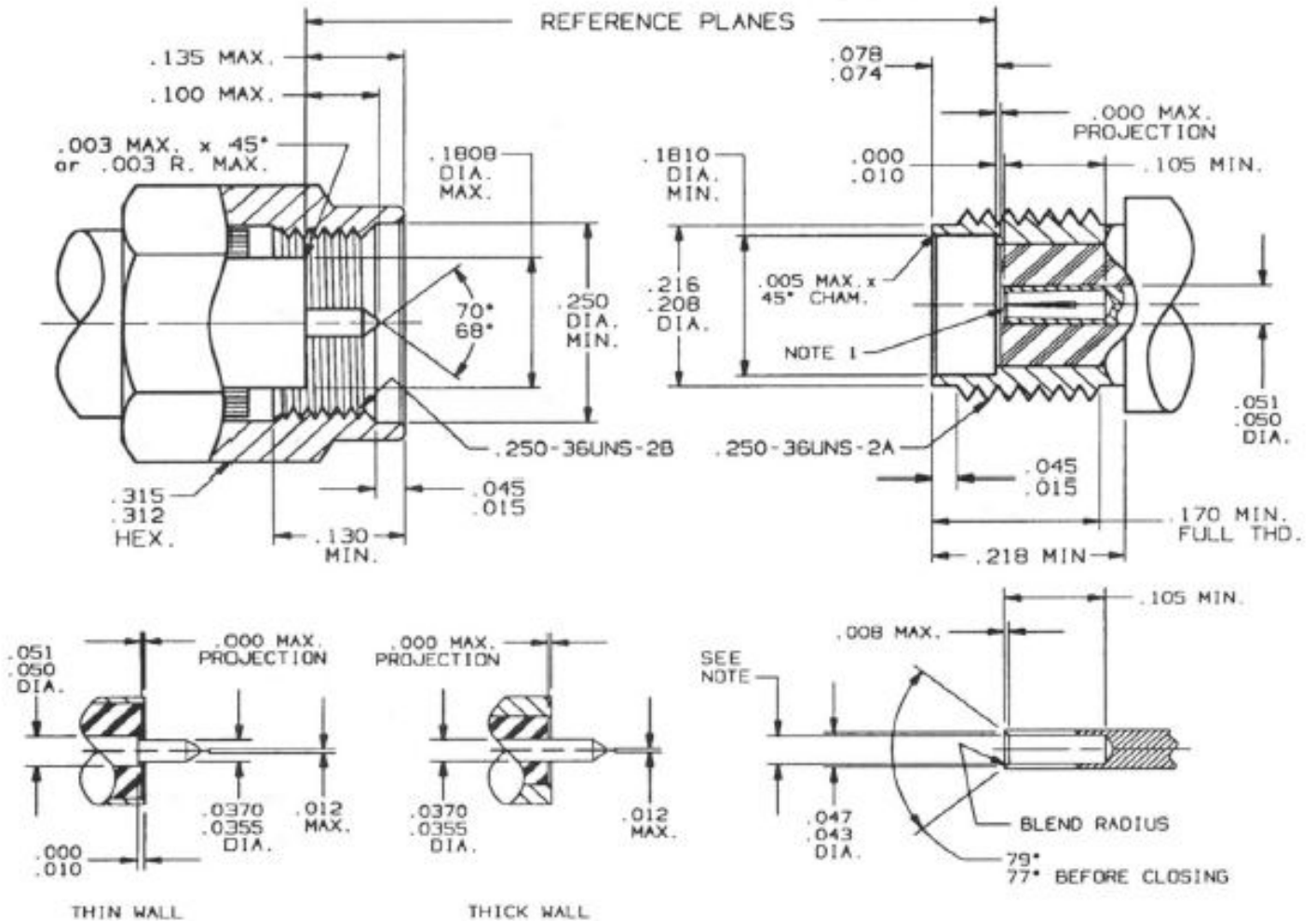
SMA Connector Interface

DOCUMENT No: INTERFACE-SMA

SHEET 1 OF 1
REV -

**(Male)
Plug**

**(Female)
Jack**



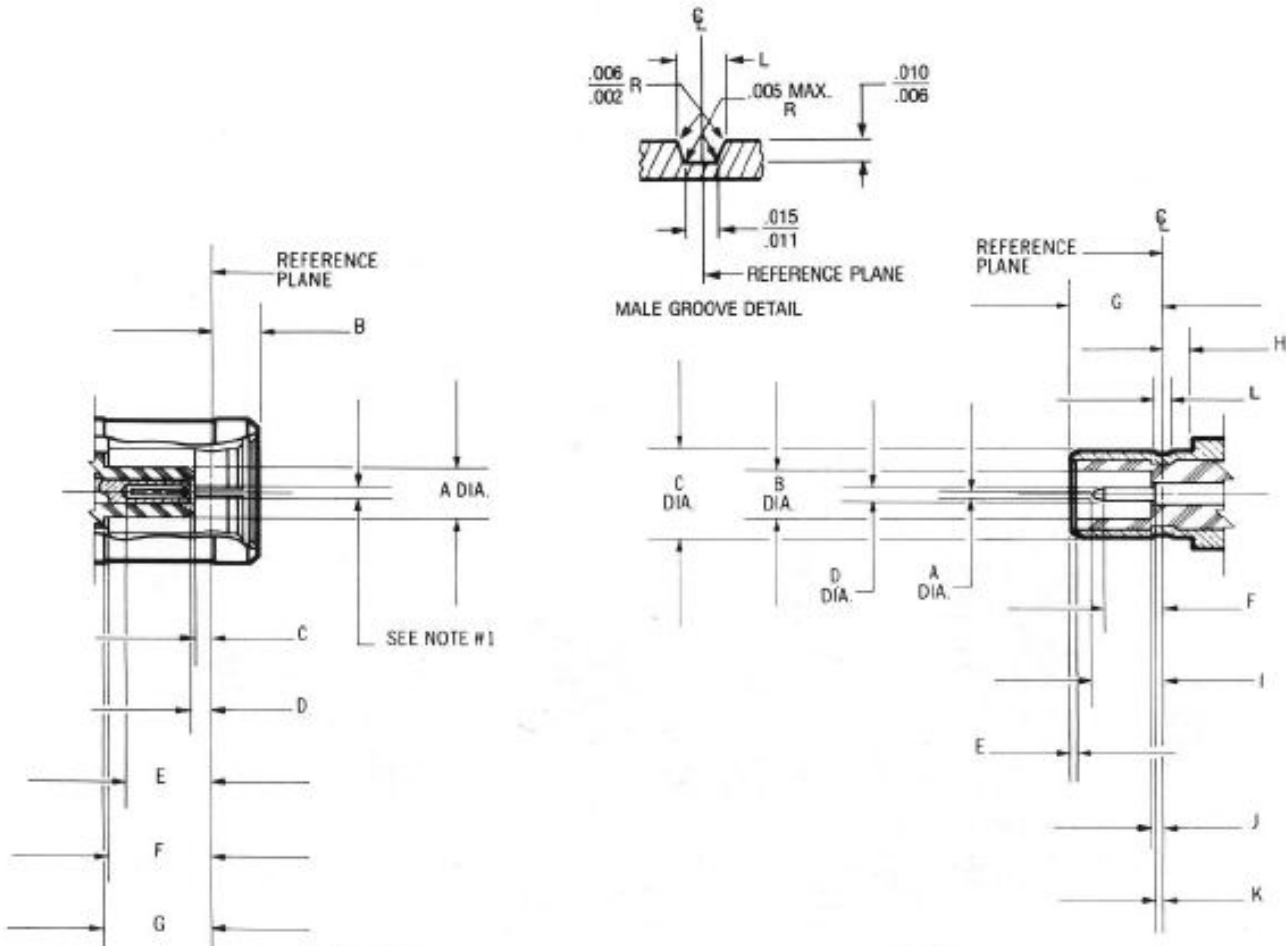
**Plug Contact
(Male Contact)**

**Jack Contact
(Female Contact)**

SMB Connector Interface

DOCUMENT No: INTERFACE-SMB

SHEET 1 OF 1
REV -



FEMALE

Letter	Inches (Millimeters) ²	
	Minimum	Maximum
A	-	.081 (2.06)
B	-	.064 (1.63)
C	.007 (0.18)	-
D	.007 (0.18)	.037 (0.94)
E	.117 (2.97)	-
F	.141 (3.58)	-
G	.141 (3.58)	-

MALE

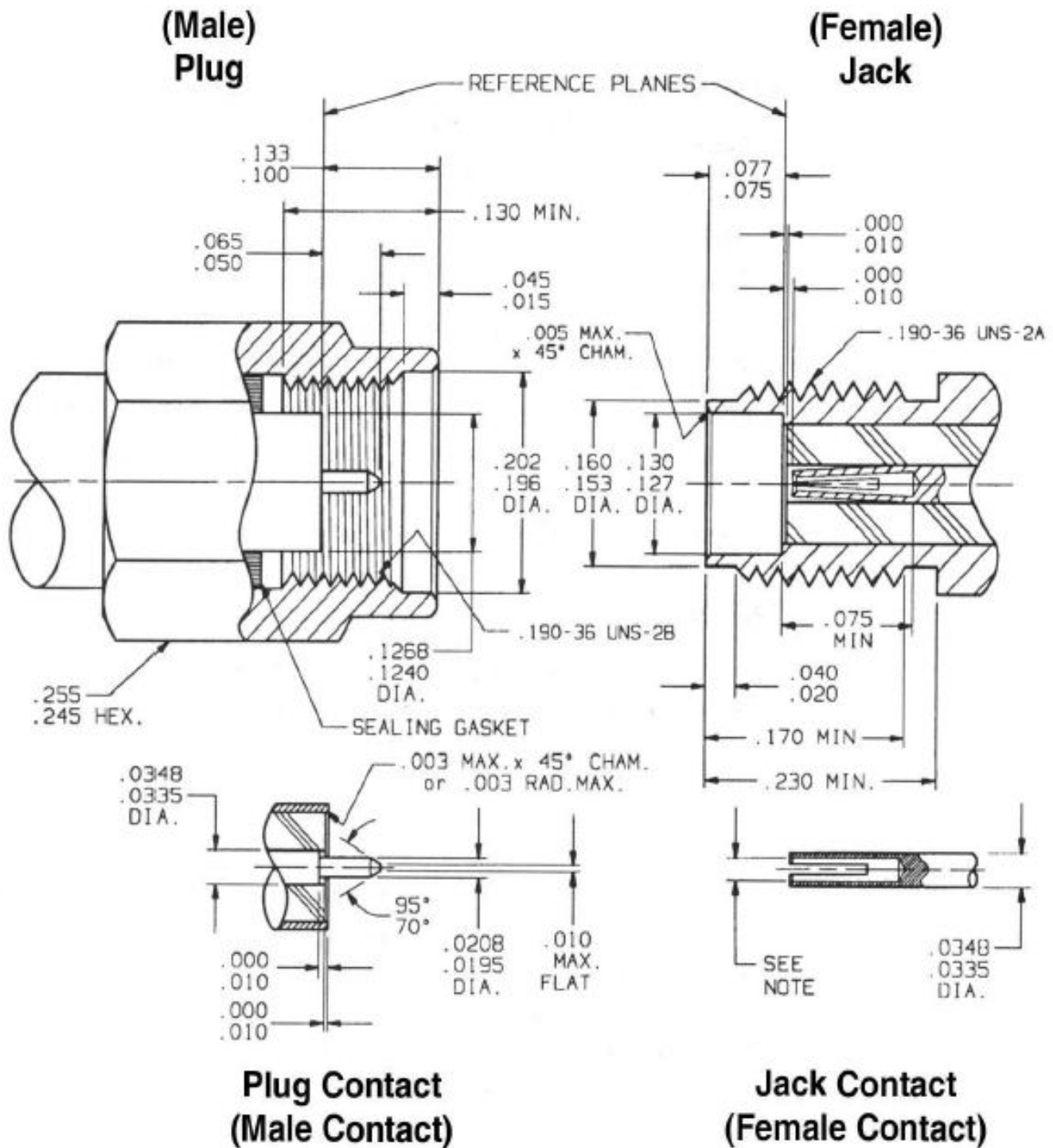
Letter	Inches (Millimeters) ²	
	Minimum	Maximum
A	-	.010 (0.25)
B	.082 (2.08)	.085 (2.16)
C	-	.146 (3.71)
D	.019 (0.48)	.021 (0.53)
E	.000 (0.00)	-
F	.052 (1.32)	-
G	.131 (3.33)	.141 (3.58)
H	.065 (1.65)	-
I	-	.117 (2.97)
J	-	.007 (0.18)
K	-	.007 (0.18)
L	.027 (0.69)	.037 (0.94)

1. ID to meet VSWR and contact resistance when mated with .020 ± .001 (.508 ± .0254mm) dia. pin.
2. Metric equivalents (to the nearest 0.01mm) are given for general information only.

SSMA Connector Interface

DOCUMENT No: INTERFACE-SSMA

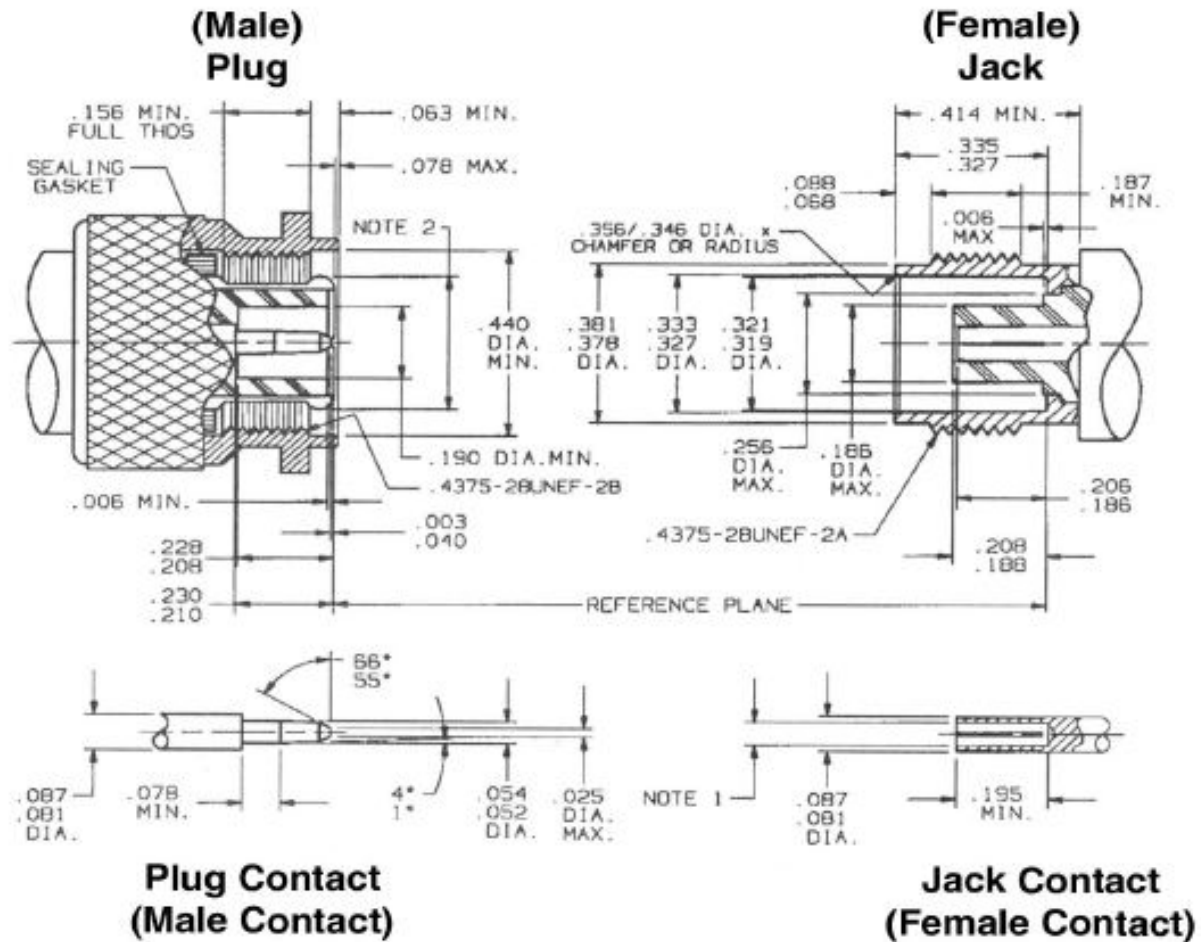
SHEET 1 OF 1
REV -



TNC Connector Interface

DOCUMENT No: INTERFACE-TNC

SHEET 1 OF 1
REV -



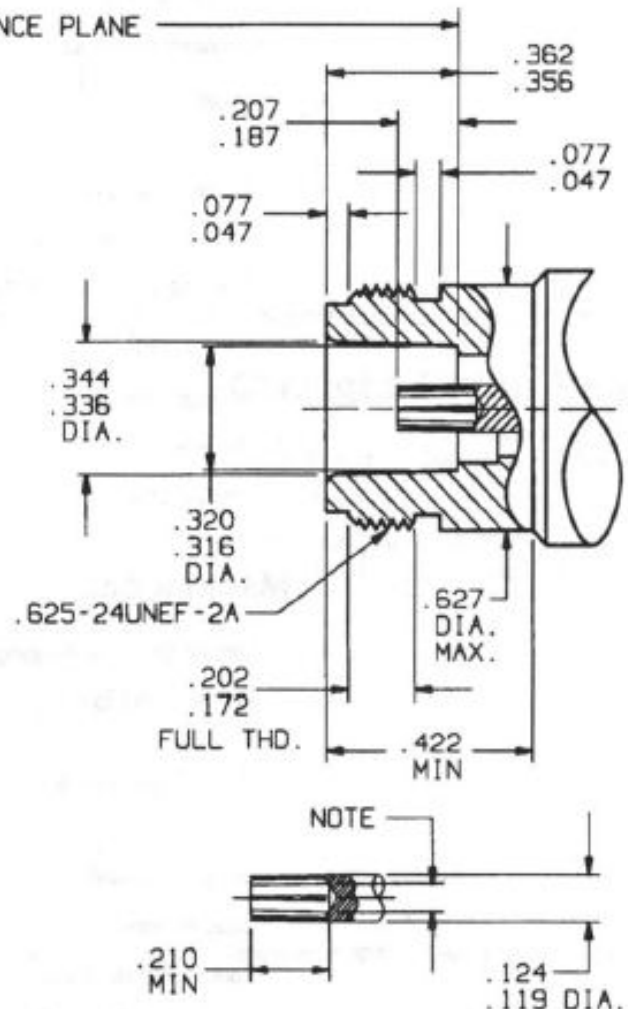
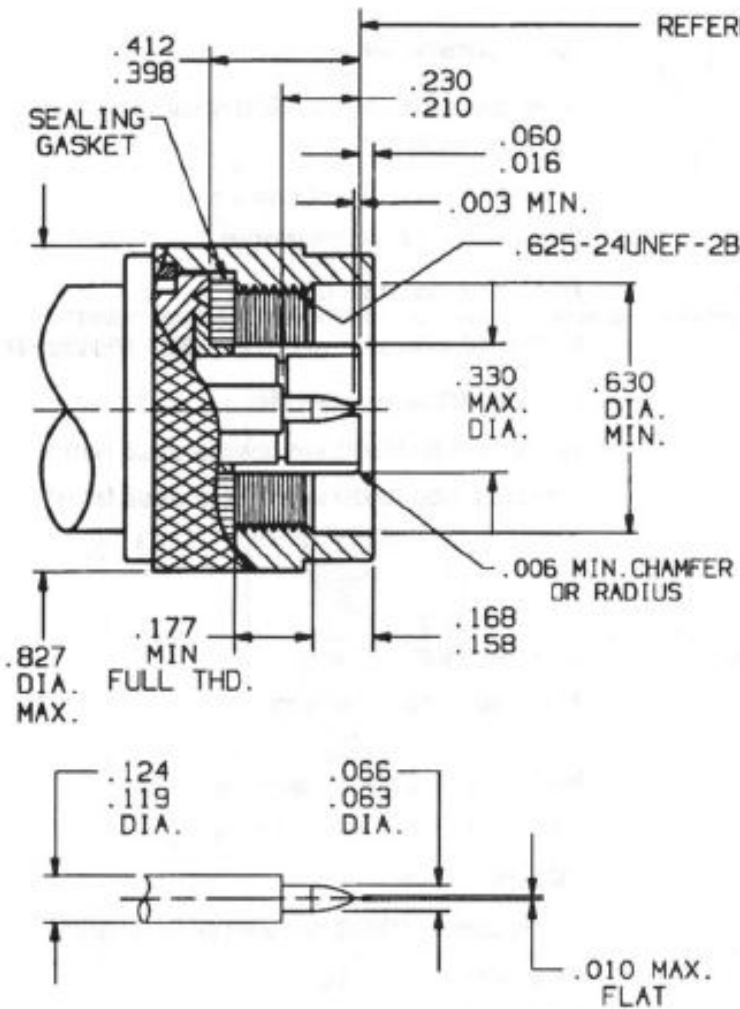
TYPE-N Connector Interface

DOCUMENT No: INTERFACE-TYPE-N

SHEET 1 OF 1
REV -

**(Male)
Plug**

**(Female)
Jack**



**Plug Contact
(Male Contact)**

**Jack Contact
(Female Contact)**