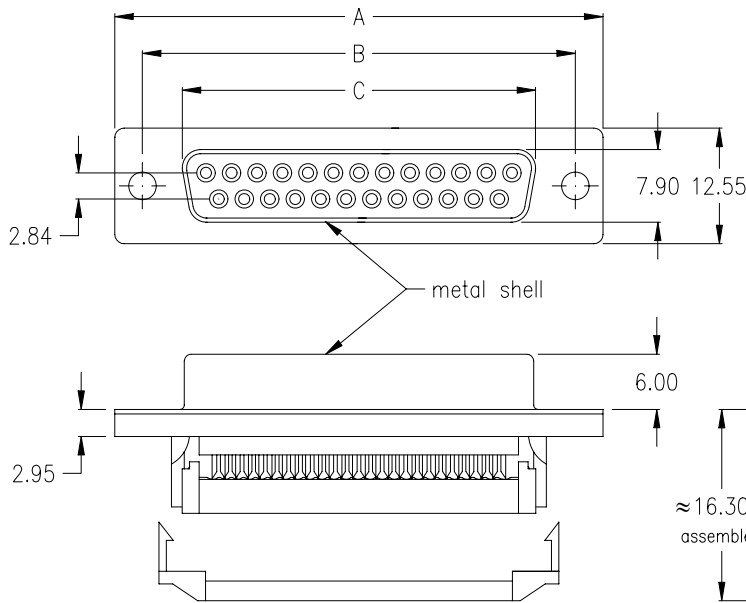
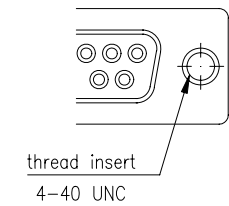
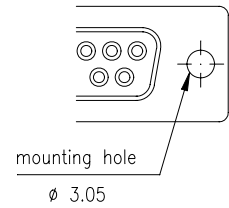




female



Option:



T0

T

No. of contacts	Dimension		
	A	B	C
009	30.81 1.213	24.99 .984	16.33 .643
015	39.14 1.541	33.32 1.312	24.66 .971
025	53.04 2.088	47.04 1.852	38.38 1.511
037	69.32 2.729	63.50 2.500	54.84 2.159

Plating: **-95** = tin(*leadfree*)/gold

General Specification page 72

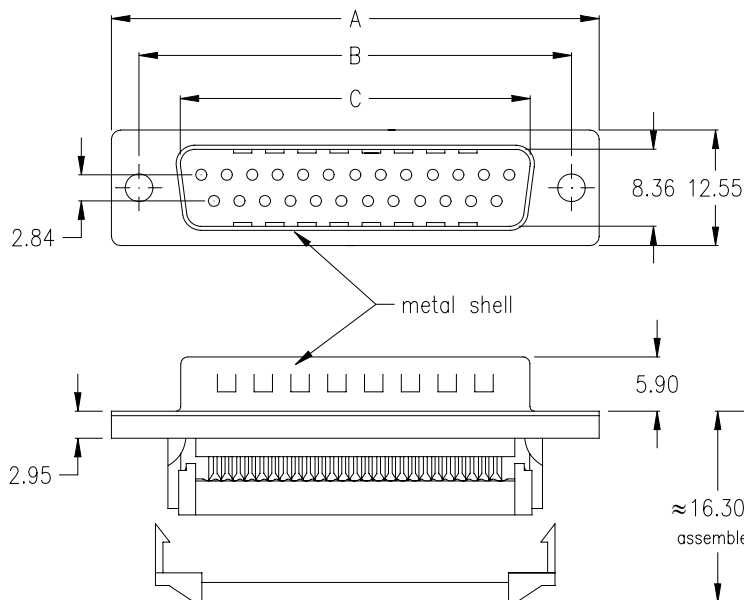
Ordering Code

SKF - xxx - S201 - 95 / XX

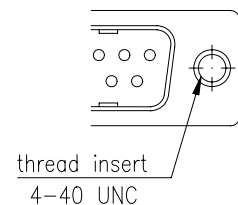
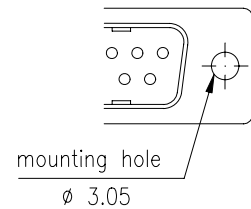
No. of contacts

Option

male



Option:



T0

T

No. of contacts	Dimension		
	A	B	C
009	30.81 1.213	24.99 .984	16.92 .666
015	39.14 1.541	33.32 1.312	25.25 .994
025	53.04 2.088	47.04 1.852	38.96 1.534
037	69.32 2.729	63.50 2.500	55.42 2.182

Plating: **-95** = tin(*leadfree*)/gold

General Specification page 72

Ordering Code

SKM - xxx - S201 - 95 / XX

No. of contacts

Option