

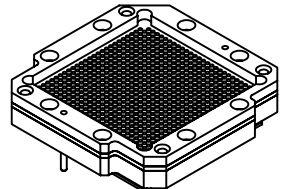
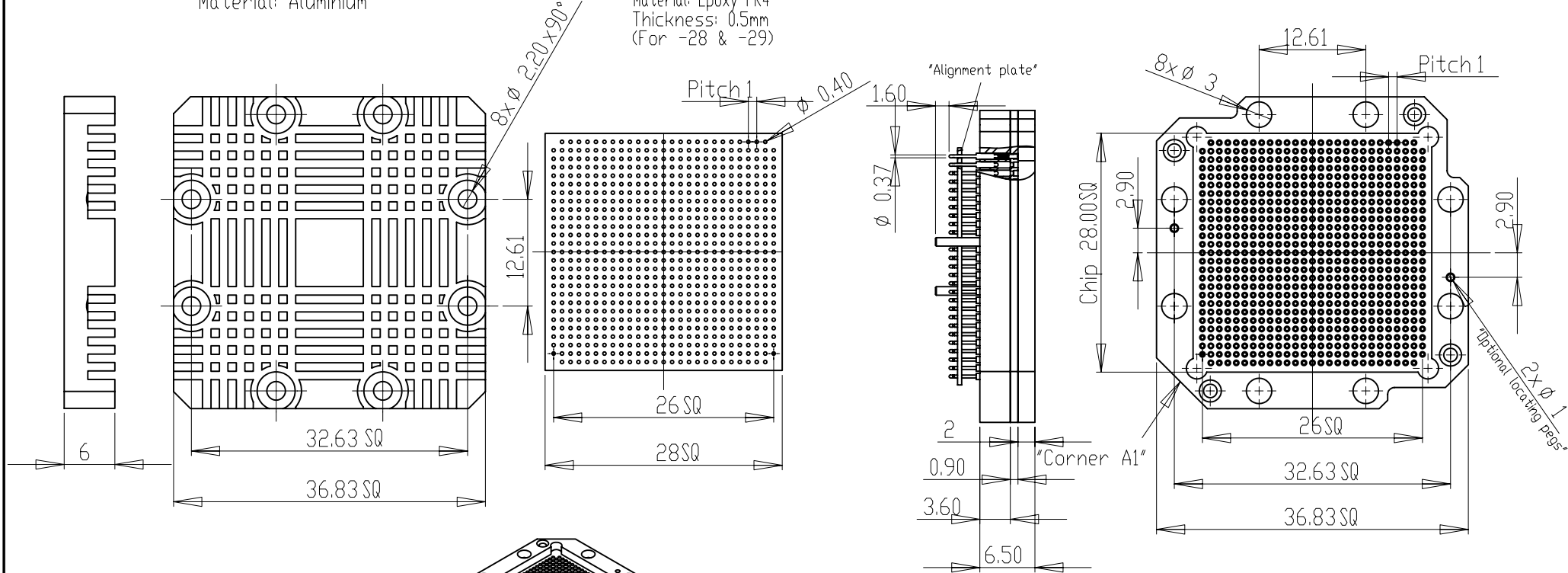
REV	DESCRIPTION	DATE	BY
A	NEW DRAWING	06/05/07	H.N.

SKT2936

Retention frame
Material: Aluminium

Alignment plate
Material: Epoxy FR4
Thickness: 0.5mm
(For -28 & -29)

Socket
Material: TG 200

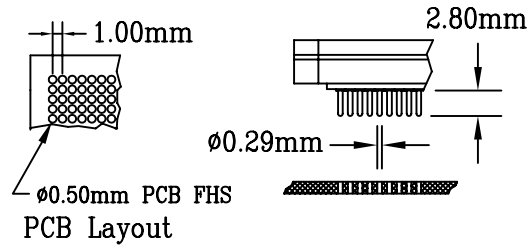
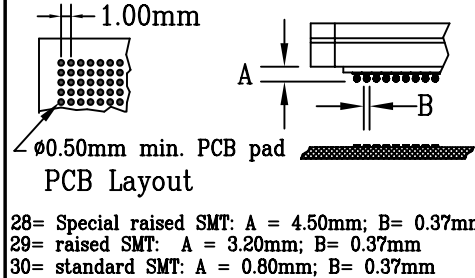


PCB holes for locating pegs
- Ø1.10±0.02
Note: Locating pegs can also be soldered to PCB if plated-thru holes are provided

RECOMMENDED PAD LAYOUT

SURFACE MOUNT STYLE		
REGULAR SMT STYLE XX = SM YY = 30	RAISED SMT STYLE XX = SR YY = 29	SPECIAL RAISED SMT STYLE XX = SC YY = 28

SOLDERTAIL = THRU HOLE STYLE
XX = ET YY = 70

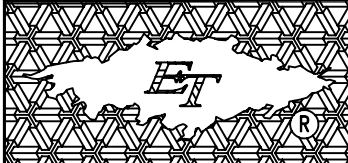


PACKAGE SPECIFICATIONS

PIN COUNT	= 725
LEAD PITCH	= 1.00mm
GRID SIZE	= 27X27
PACKAGE SIZE	= 28.00mm SQ
IC BALL DIA	= 0.70mm MAX
BALL HEIGHT	= 0.50mm MAX.

UNLESS OTHERWISE SPECIFIED:
DIMENSIONS ARE IN MILLIMETERS
SURFACE FINISH:
GENERAL TOLERANCES: ±0.10
LINEAR:
ANGULAR:

ALL DIMENSIONS ARE IN MILLIMETERS UNLESS OTHERWISE SPECIFIED



Emulation Technology, Inc.
— VLSI and SMT ADAPTERS and ACCESSORIES —

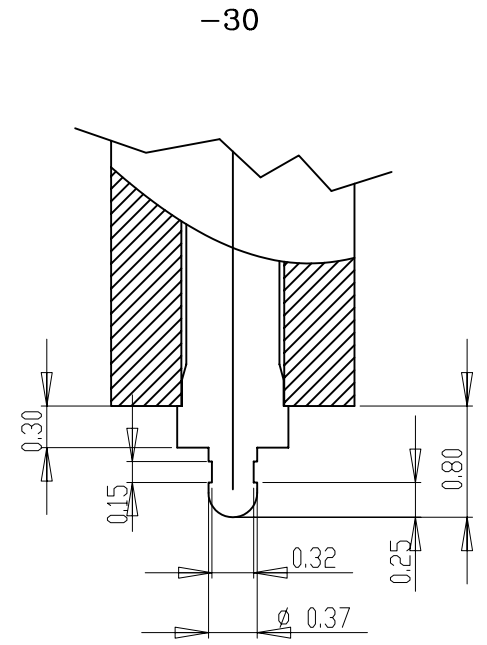
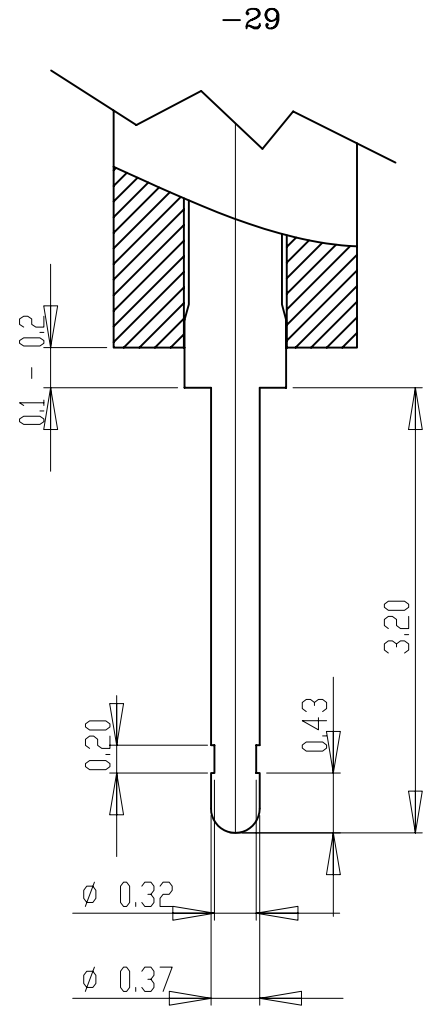
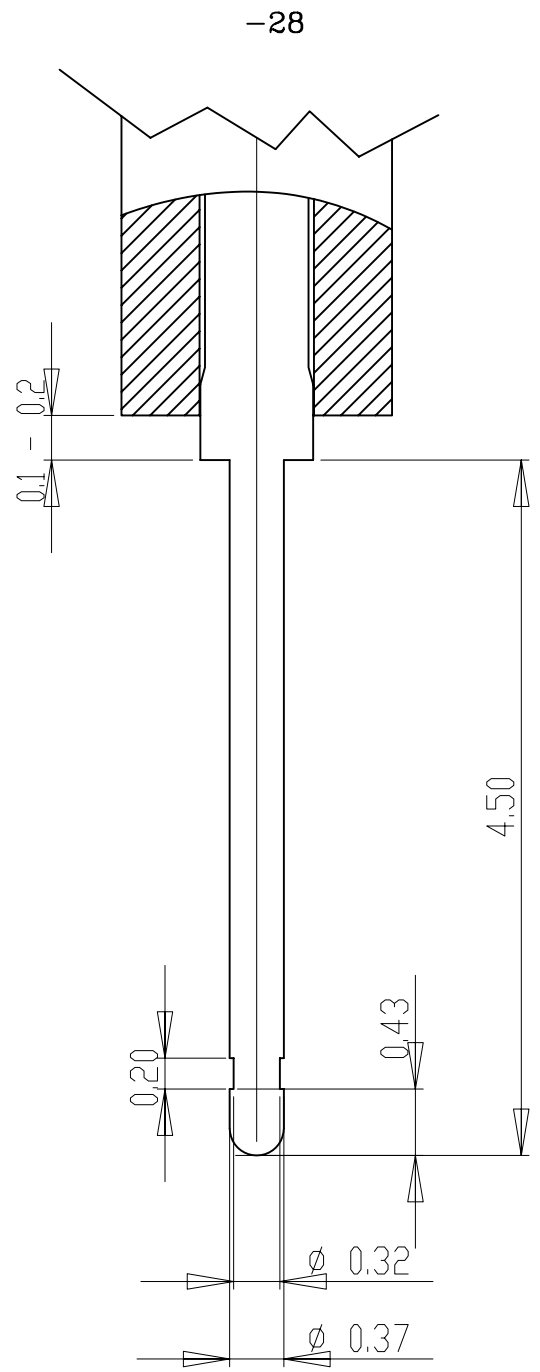
2344 Walsh Avenue, Bldg.F
Santa Clara, Ca 95051
TEL:(408)982-0660
FAX:(408)982-0664

SHEET: 1 OF 1	DATE: 06/05/07	REVISION: A	ASSEMBLY DRAWING
CHECKED:	DRAWN: H.N.	ITEM: S-MBU-27-725HXX	
Scale N/A		DO NOT SCALE DRAWING	DESCRIPTION: BUW-725-3BG027-YY-HS

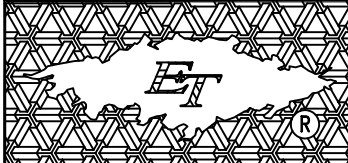
All Dimensions Are Nominal For A 1.00mm Pitch BGA Package

REV	DESCRIPTION	DATE	BY
A	NEW DRAWING	06/28/06	H.N.

ET-1.00mm



ALL DIMENSIONS ARE IN MILLIMETERS UNLESS OTHERWISE SPECIFIED



Emulation Technology, Inc.
 — VLSI and SMT ADAPTERS and ACCESSORIES —
 2344 Walsh Avenue, Bldg.F Santa Clara, Ca 95051
 TEL:(408)982-0660 FAX:(408)982-0664

SHEET: 1 OF 1	DATE: 06/28/06	REVISION: A	ASSEMBLY DRAWING
CHECKED: Perry Munroe	DRAWN: Huy Nguyen		
Scale N/A	DO NOT SCALE DRAWING		DESCRIPTION: 1.00mm PITCH PIN