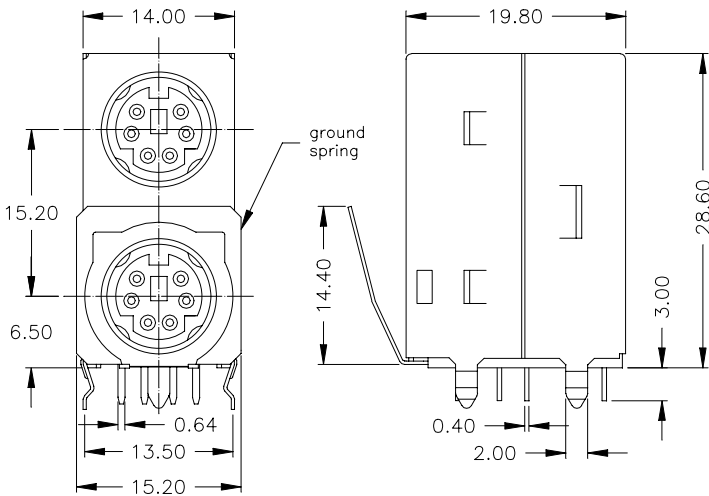


Mini DIN Connector - Dual Port Standard & "PC 99" Type

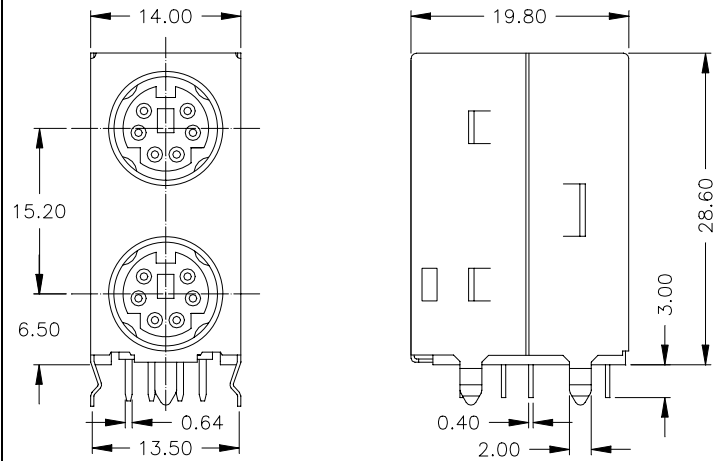


fully shielded, ground spring & side kink type



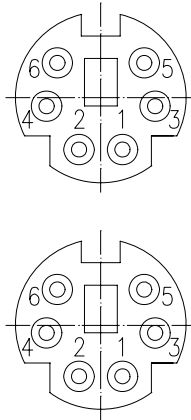
MDJ - 6 06 - DS xx - 95

fully shielded type



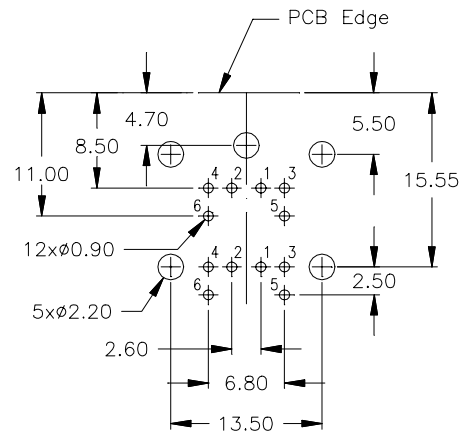
MDJ - 606 - DK xx - 95

front view



2 x 6 pos.

PCB through hole layout



2 x 6 pin = 606

SPECIFICATIONS

Current rating	1 A max. at 100 V AC or 2 A max. at 12 V DC
Insulator resistance	100 MΩ min. at 250 V DC
Contact resistance	30 mΩ max.
Withstanding voltage	250 V AC for 1 min.

Contact material	(RoHS compliant) Phosphor bronze
Insulator material	(RoHS compliant) P.B.T. UL 94 V-0
Shield material	(RoHS compliant) Brass
Shield plating	tin (leadfree)
Insertion/extraction cycles	500 min.
Operating temperature	-40°C to +105°C

Ordering Code

MDJ - 606 - XX xx - 95

Contact Arrangement	Version	Housing Color	Plating
6 top 6 bottom	DS = fully shielded, ground spring & side kink DK = fully shielded & side kink	01 = black top / black bottom 02 = green top / purple bottom	tin/gold <i>(tin leadfree)</i>