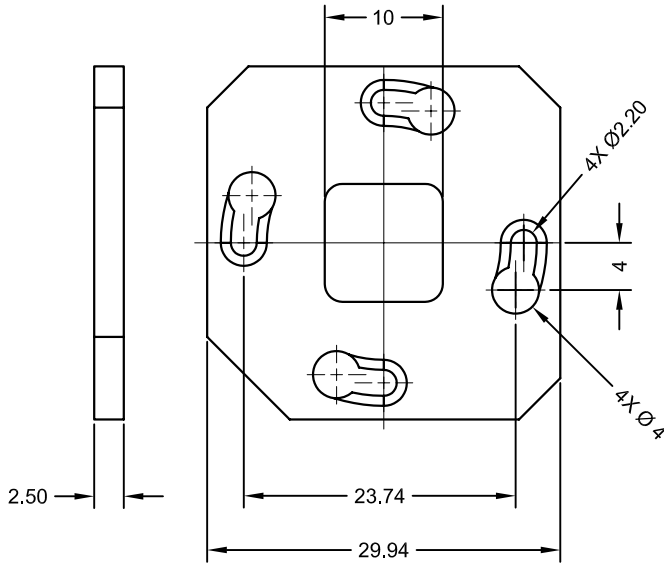


REV	DESCRIPTION	DATE	INIT
A	NEW DRAWING	05/04/07	K.B

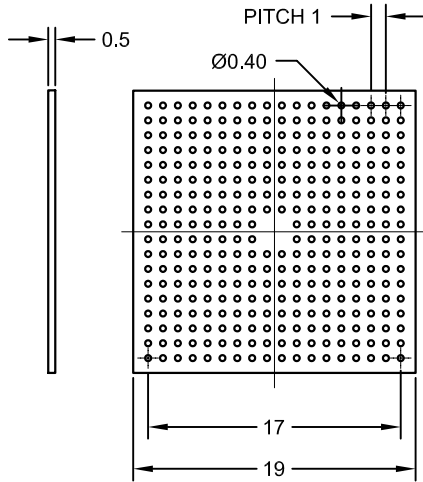
Retention frame

Material: Epoxy FR4  
Thickness: 2.50mm

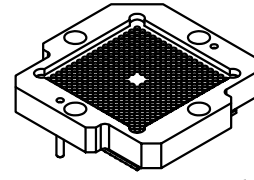
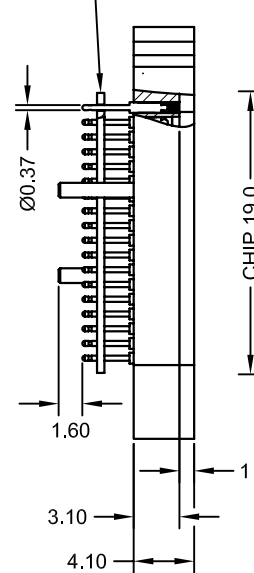


ALIGNMENT PLATE

Material: Epoxy FR4  
Thickness: 2.50mm

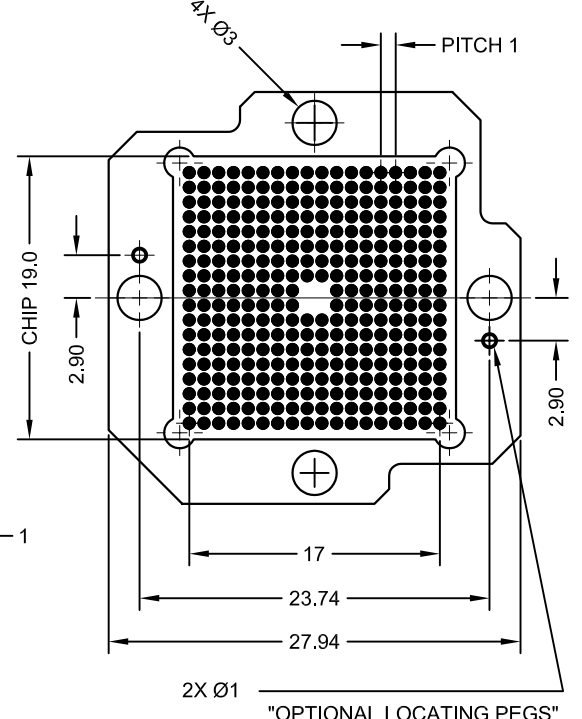


"ALIGNMENT PLATE"



Socket

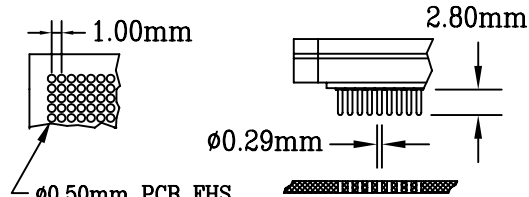
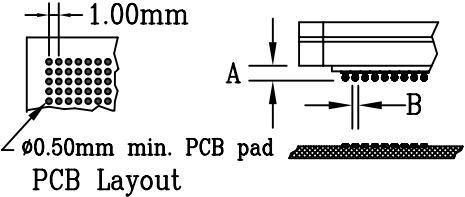
Material: TG 200  
Thickness: 4.10 mm  
320 contacts



**RECOMMENDED PAD LAYOUT**

SURFACE MOUNT STYLE		
REGULAR SMT STYLE XX = SM YY = 30	RAISED SMT STYLE XX = SR YY = 29	SPECIAL RAISED SMT STYLE XX = SC YY = 28

SOLDERTAIL = THRU HOLE STYLE
XX = ET YY = 70



28= Special raised SMT: A = 4.50mm; B= 0.37mm  
29= raised SMT: A = 3.20mm; B= 0.37mm  
30= standard SMT: A = 0.80mm; B= 0.37mm

PCB Layout

PACKAGE SPECIFICATIONS	
PIN COUNT	≡ 320
LEAD PITCH	≡ 1mm
GRID SIZE	≡ 18X18
PACKAGE SIZE	≡ 19X19mm
IC BALL DIA	≡ N/A
BALL HEIGHT	≡ N/A

PCB holes for locating pegs  
- ø1.10±0.02  
Note: Locating pegs can also be soldered to PCB if plated-thru holes are provided

UNLESS OTHERWISE SPECIFIED:  
DIMENSIONS ARE IN MILLIMETERS  
SURFACE FINISH:  
GENERAL TOLERANCES: ±0.10  
LINEAR:  
ANGULAR:



**Emulation Technology, Inc.**

- VLSI and SMT ADAPTERS and ACCESSORIES -

www.emulation.com

TEL: (408) 982-0660

2344 Walsh Ave, Bldg. F Santa Clara, CA 95051

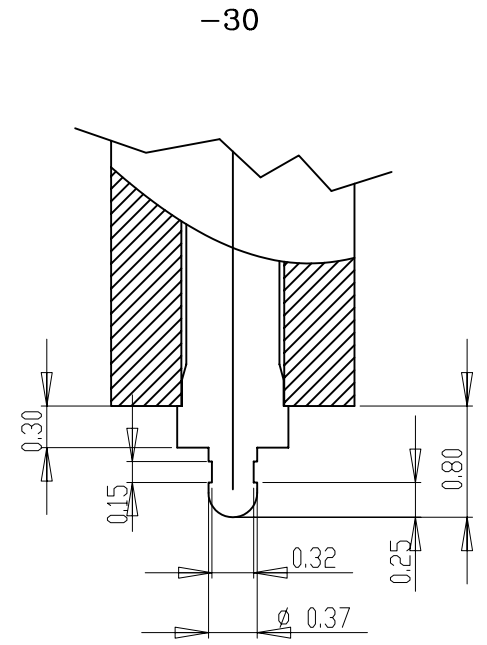
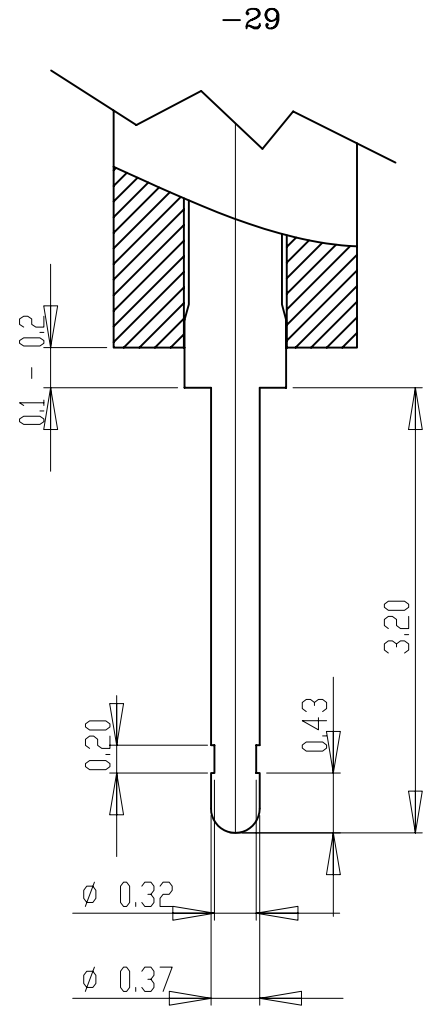
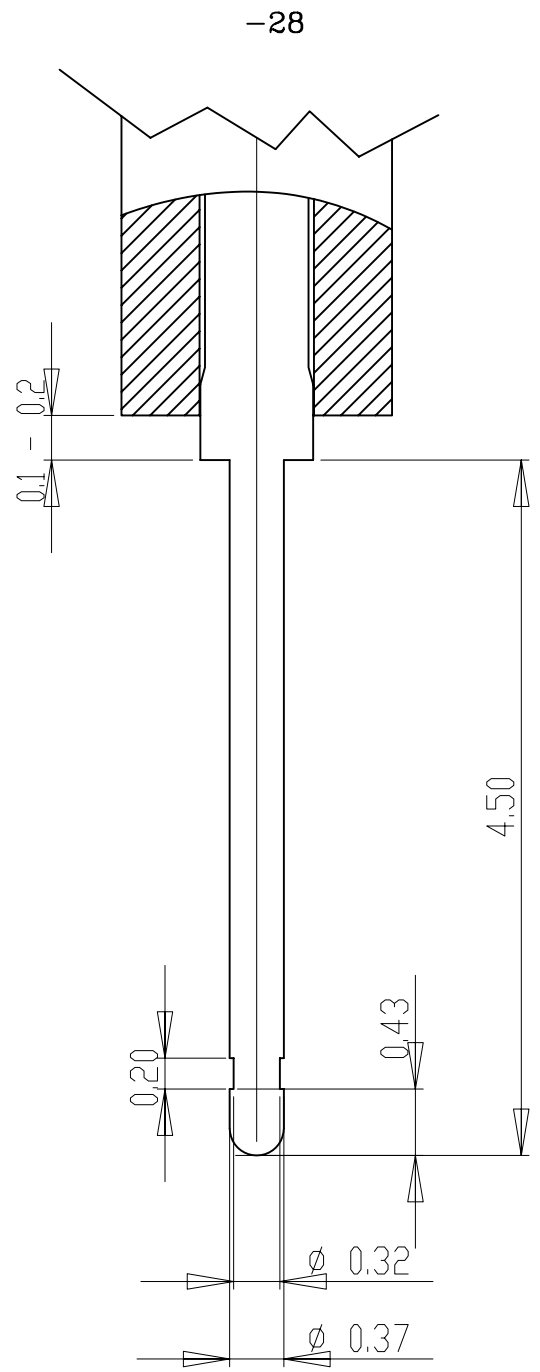
FAX: (408) 982-0664

SHEET: 1 OF 2	DATE: 05/04/07	REVISION: <b>A</b>	<b>ASSEMBLY DRAWING</b>
CHECKED:	DRAWN: K.BURNS	ITEM: S-MBG-18-320-XX	
DO NOT SCALE DRAWING			DESCRIPTION: BPW-320-3BG018-YY

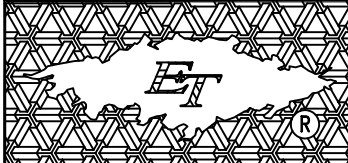
All Dimensions Are Nominal For A 1.00mm Pitch BGA Package

REV	DESCRIPTION	DATE	BY
A	NEW DRAWING	06/28/06	H.N.

ET-1.00mm



ALL DIMENSIONS ARE IN MILLIMETERS UNLESS OTHERWISE SPECIFIED



**Emulation Technology, Inc.**  
 — VLSI and SMT ADAPTERS and ACCESSORIES —  
 2344 Walsh Avenue, Bldg.F Santa Clara, Ca 95051  
 TEL:(408)982-0660 FAX:(408)982-0664

SHEET: 1 OF 1	DATE: 06/28/06	REVISION: A	<b>ASSEMBLY DRAWING</b>	
CHECKED: Perry Munroe	DRAWN: Huy Nguyen			ITEM: 1.00mm PITCH PIN
Scale N/A		DO NOT SCALE DRAWING		DESCRIPTION: 1.00mm PITCH PIN