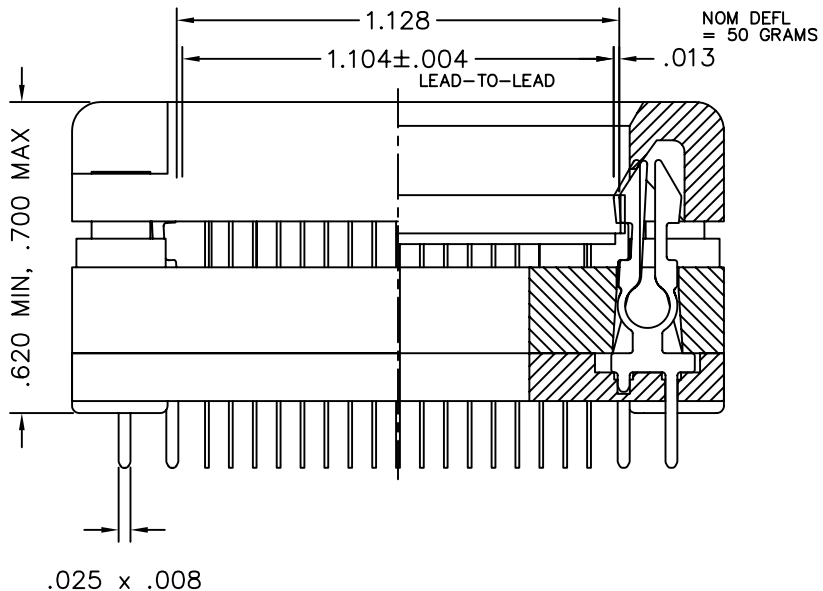


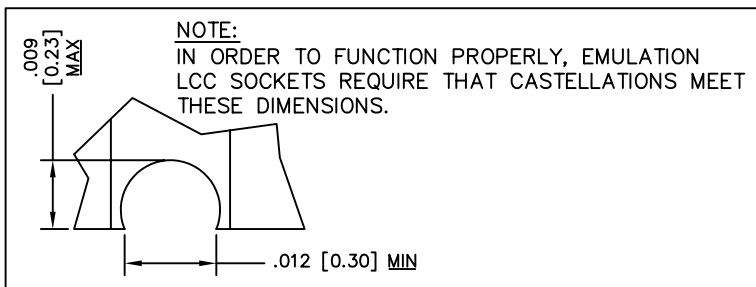
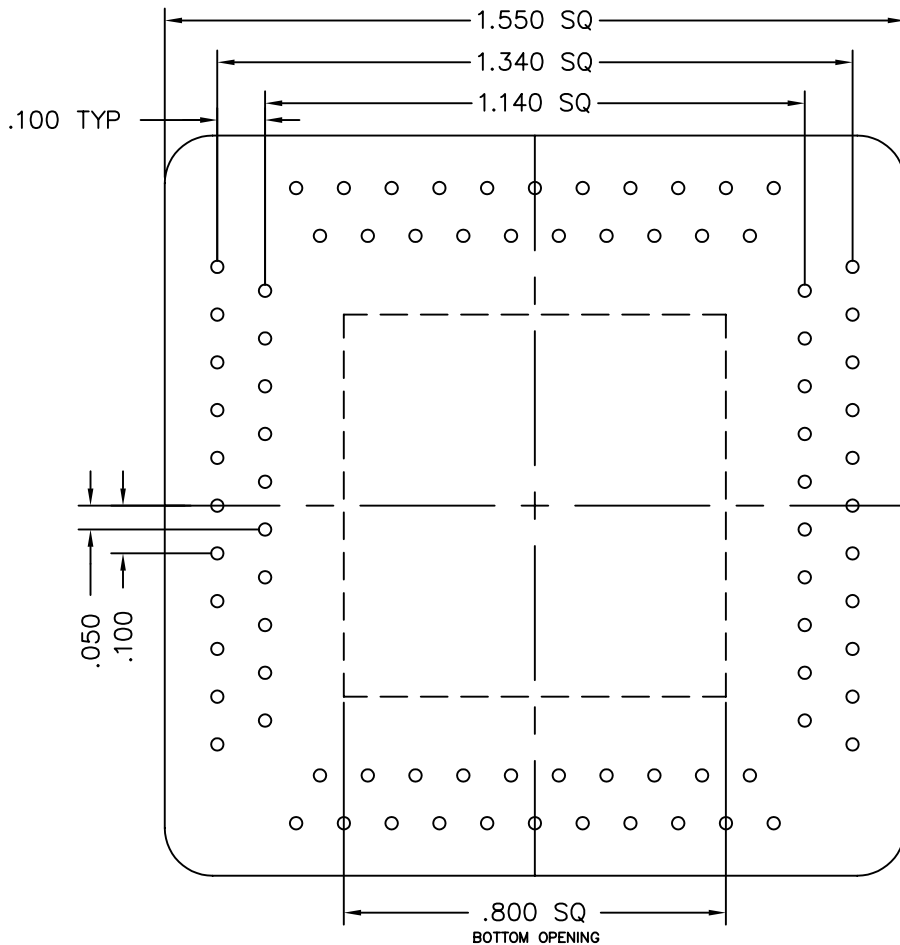
| REV | DESCRIPTION | DATE | BY |
|-----|---------------------|----------|------|
| A | NEW DRAWING | 06/26/07 | H.N. |
| B | ADDED NOTE DEAD BUG | 07/20/07 | H.N. |

SKT2946

DEVICE SIZE: 1.150±.010 sq x .100±.010



DEAD BUG



| | | | |
|---|----------------------|--|--|
| ALL DIMENSIONS ARE IN INCHES UNLESS OTHERWISE SPECIFIED | | | |
| | | Emulation Technology, Inc. — VLSI and SMT ADAPTERS and ACCESSORIES — | |
| | | 2344 Walsh Avenue, Bldg.F Santa Clara, Ca 95051 | TEL:(408)982-0660 FAX:(408)982-0664 |
| SHEET: 1 OF 1 | DATE: 06/26/07 | REVISION: B | ASSEMBLY DRAWING |
| CHECKED: | DRAWN: H.N. | ITEM: S-LCC-00-084-D | |
| Scale N/A | DO NOT SCALE DRAWING | | DESCRIPTION: S-LCC-00-084-D |