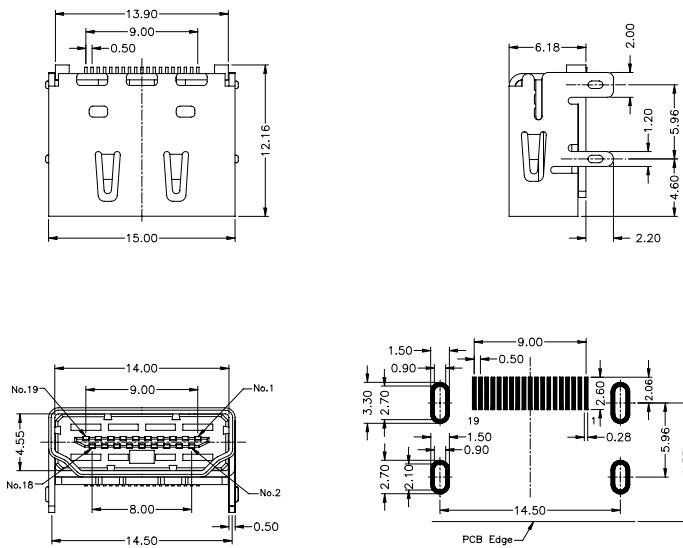
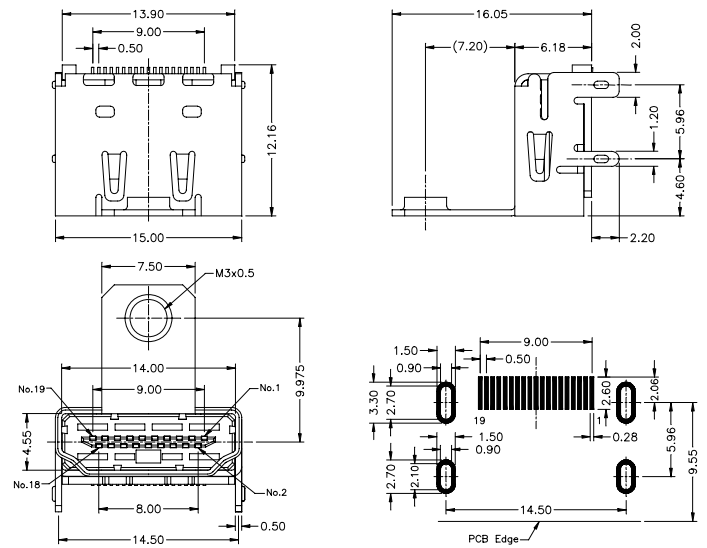


SM-Type with "straight" solder pegs

without mounting flange - without locating pins



with top mounting flange - without locating pins



Specifications

Electrical:	
Current rating	0.5 A
Insulator resistance	100 M Ω min. at 150V DC
Contact resistance	30 m Ω max.
Dielectric strength	1000 V for 1 Min.
Withstanding voltage	500V (rms) AC 1 Min.
Operating temperature	-25° C to +85° C
Mechanical:	
Insertion force	44.1 N max.
Withdrawal force	9.8 N min. / 39.2 N max.
Durability	10,000 Cycles
Material:	
Contact	RoHS compliant Copper Alloy
Plating	Sn solderpegs/Au 30 μ " contact
Insulator	RoHS compliant Hi temp Thermoplastic black
Shell	UL 94V-0 Steel; Sn (leadfree) over Ni

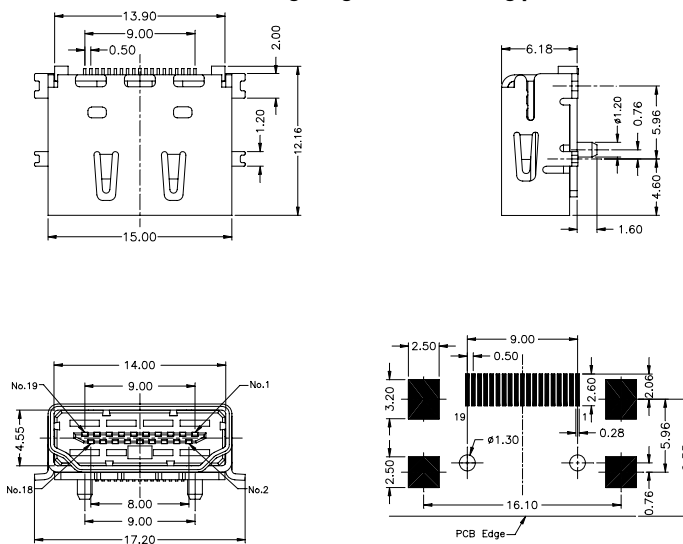
How to order

HMR - B19 - SS X 1 - 98 / X

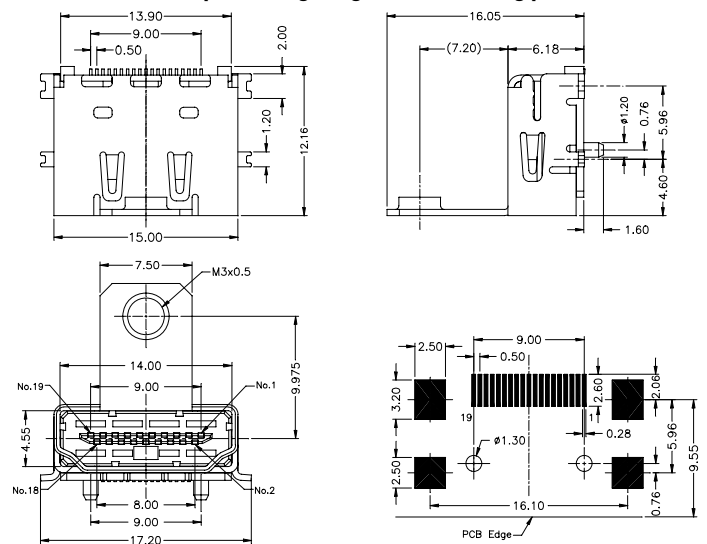
Style	Plating	Option
K = without mounting flange	95 = Gold flash / Tin (leadfree)	R = reel packing w/o pick up tape
L = with top mounting flange	97 = Gold 15 μ " / Tin (leadfree)	BT = reel packing with pick up tape
	98 = Gold 30 μ " / Tin (leadfree)	

SM-Type with "wing" solder pegs

without mounting flange - with locating pins



with top mounting flange - with locating pins



Specifications

Electrical:	
Current rating	0.5 A
Insulator resistance	1000 M Ω min.
Contact resistance	30 m Ω max.
Dielectric strength	1000 V for 1 Min.
Withstanding voltage	500V (rms) AC 1 Min.
Operating temperature	-20° C to +85° C
Mechanical:	
Insertion force	4.5 Kg max.
Withdrawal force	1.0 Kg min.
Durability	100 Cycles
Material:	
Contact	RoHS compliant Copper Alloy
Plating	Sn solderpegs/Au 30 μ " contact
Insulator	RoHS compliant Hi temp Thermoplastic black
Shell	UL 94V-0 Steel; Sn (leadfree) over Ni

How to order

HMR - B19 - SW X 1 - 98 / X

Style	Plating	Option
K = without mounting flange	95 = Gold flash / Tin (leadfree)	R = reel packing w/o pick up tape
L = with top mounting flange	97 = Gold 15 μ " / Tin (leadfree)	BT = reel packing with pick up tape
	98 = Gold 30 μ " / Tin (leadfree)	