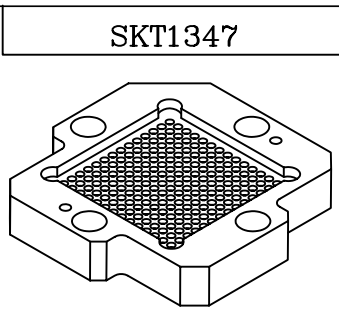
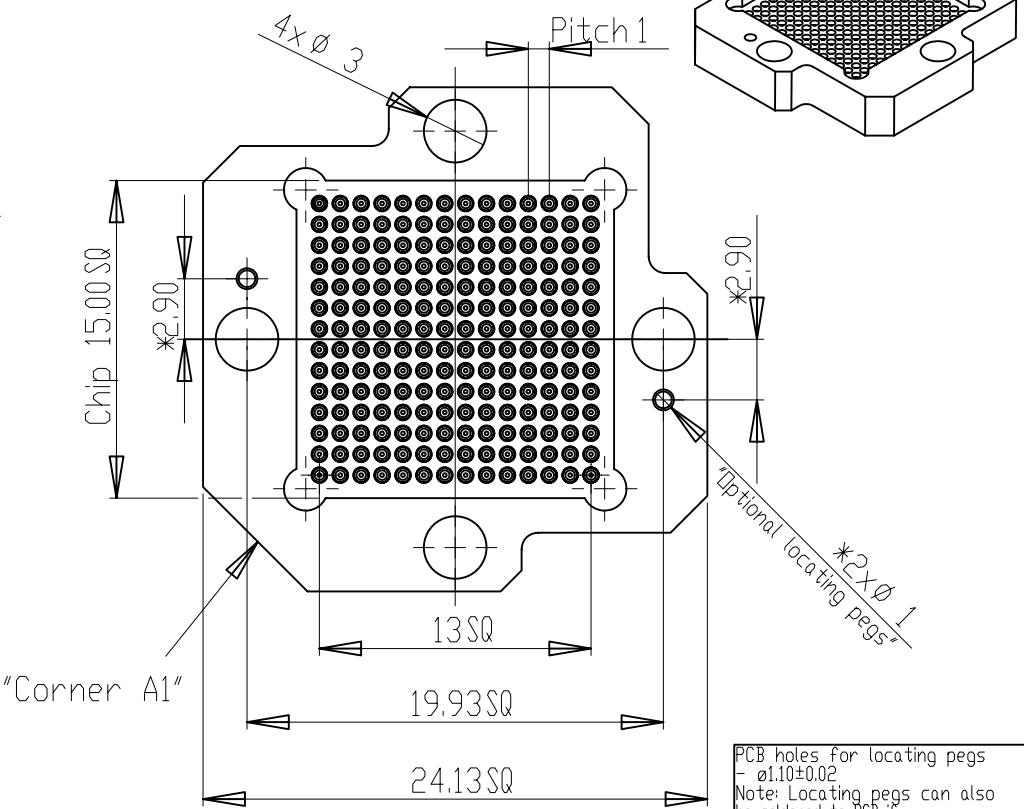
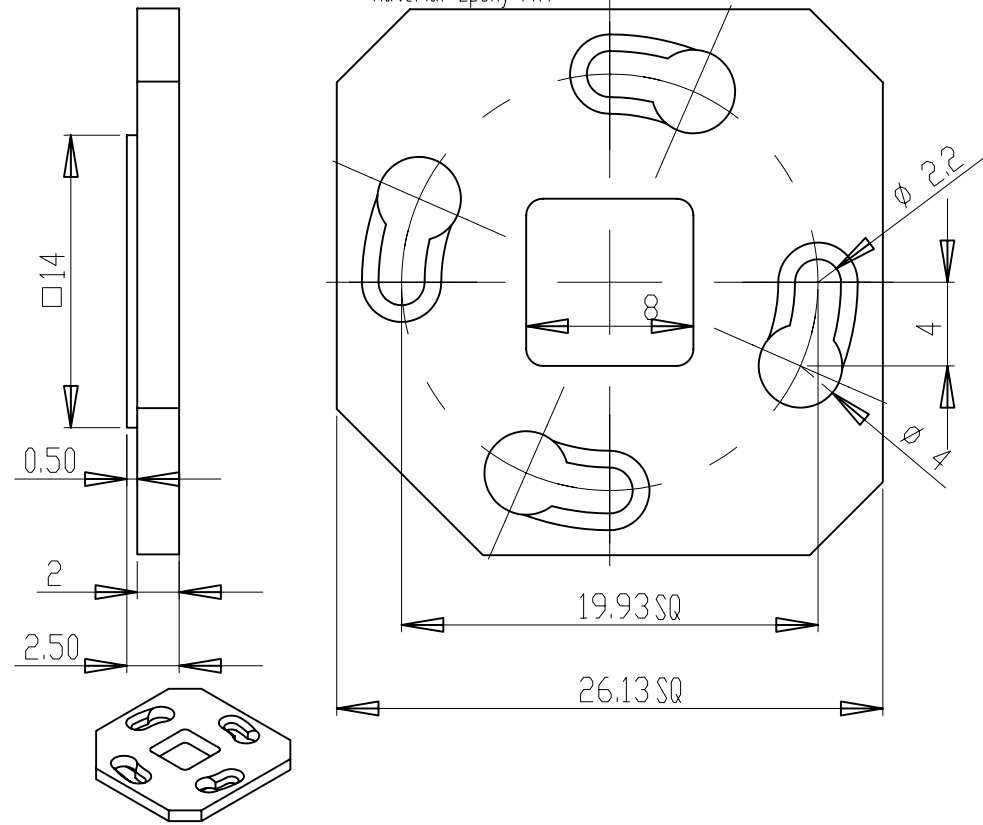


REV	DESCRIPTION	DATE	BY
B	UPDATED REC. PAD LAYOUT	10/11/02	H.N.
C	CHANGED PART # FROM A TO B	01/21/05	H.N.
D	UPDATED SCREW LOCK STYLE	08/23/05	H.N.
E	UPDATED TWIST LOCK STYLE	04/30/07	H.N.



Socket
Material: TG 200
Thickness: 4.10 mm

Retention frame
Material: Epoxy FR4

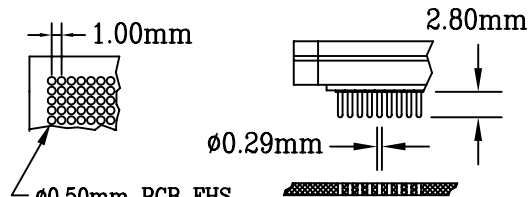
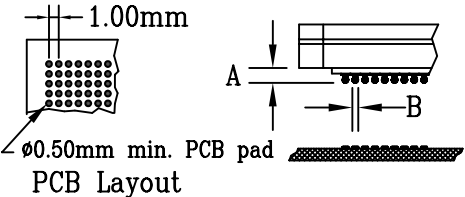


PCB holes for locating pegs
- $\phi 1.10 \pm 0.02$
Note: Locating pegs can also be soldered to PCB if plated thru holes are provided

RECOMMENDED PAD LAYOUT

SURFACE MOUNT STYLE		
REGULAR SMT STYLE XX = SM YY = 30	RAISED SMT STYLE XX = SR YY = 29	SPECIAL RAISED SMT STYLE XX = SC YY = 28

SOLDERTAIL = THRU HOLE STYLE	
XX = ET	YY = 70



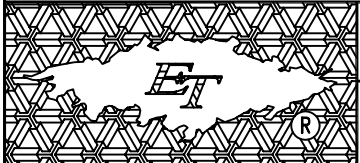
28= Special raised SMT: A = 4.50mm; B = 0.37mm
29= raised SMT: A = 3.20mm; B = 0.37mm
30= standard SMT: A = 0.80mm; B = 0.37mm

PACKAGE SPECIFICATIONS

PIN COUNT	= 196
LEAD PITCH	= 1.00mm
GRID SIZE	= 14X14
PACKAGE SIZE	= 15.00mm SQ
IC BALL DIA	= 0.70mm MAX
BALL HEIGHT	= 0.50mm MAX.

UNLESS OTHERWISE SPECIFIED:
DIMENSIONS ARE IN MILLIMETERS
SURFACE FINISH:
GENERAL TOLERANCES: ± 0.10
LINEAR:
ANGULAR:

ALL DIMENSIONS ARE IN MILLIMETERS UNLESS OTHERWISE SPECIFIED



Emulation Technology, Inc.
— VLSI and SMT ADAPTERS and ACCESSORIES —

2344 Walsh Avenue, Bldg.F
Santa Clara, Ca 95051
TEL:(408)982-0660
FAX:(408)982-0664

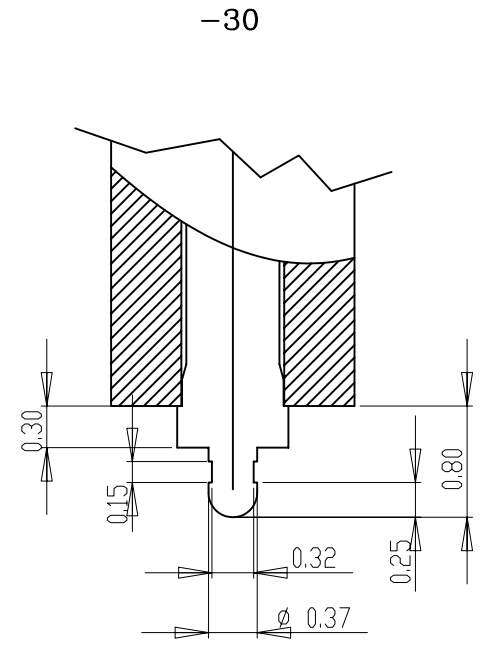
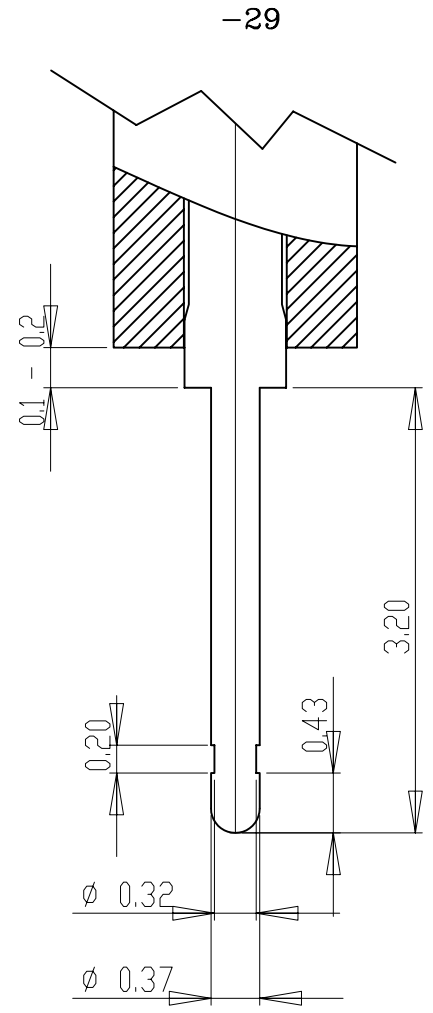
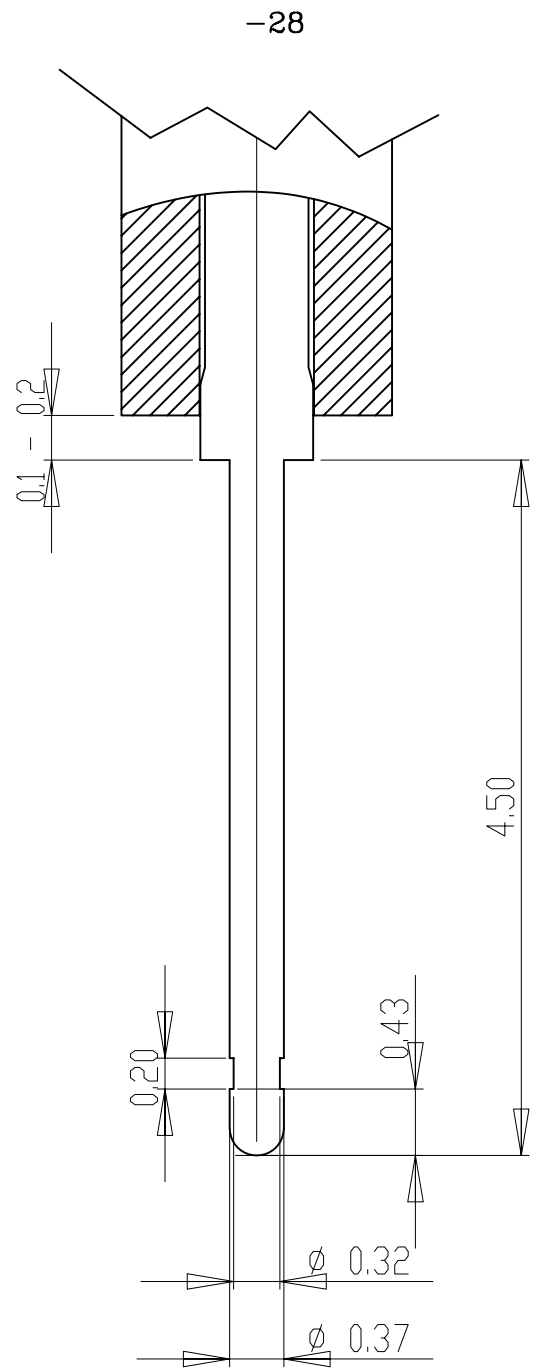
SHEET: 1 OF 1	DATE: 08/23/05	REVISION: E	ASSEMBLY DRAWING
CHECKED:	DRAWN: H.N.		

Scale N/A	DO NOT SCALE DRAWING	ITEM: S-MBG-14-196-XXB
		DESCRIPTION: BPW-196-3BG014B-YY

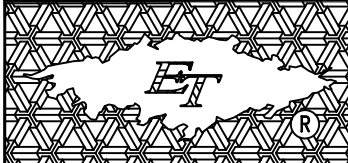
All Dimensions Are Nominal For A 1.00mm Pitch BGA Package

REV	DESCRIPTION	DATE	BY
A	NEW DRAWING	06/28/06	H.N.

ET-1.00mm



ALL DIMENSIONS ARE IN MILLIMETERS UNLESS OTHERWISE SPECIFIED



Emulation Technology, Inc.
 — VLSI and SMT ADAPTERS and ACCESSORIES —
 2344 Walsh Avenue, Bldg.F Santa Clara, Ca 95051
 TEL:(408)982-0660 FAX:(408)982-0664

SHEET: 1 OF 1	DATE: 06/28/06	REVISION: A	ASSEMBLY DRAWING
CHECKED: Perry Munroe	DRAWN: Huy Nguyen		
Scale N/A	DO NOT SCALE DRAWING		DESCRIPTION: 1.00mm PITCH PIN