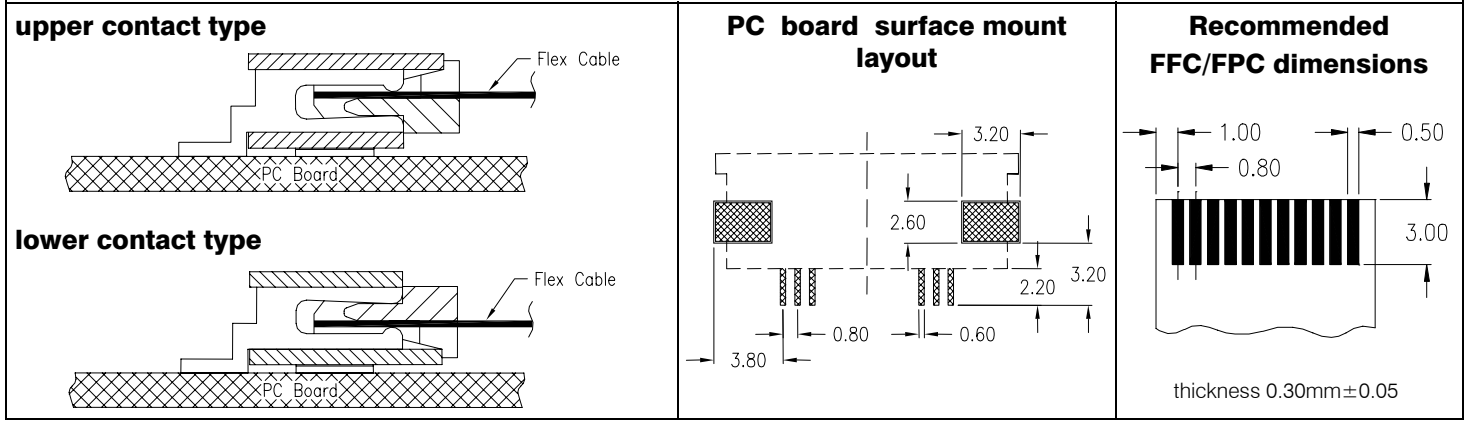
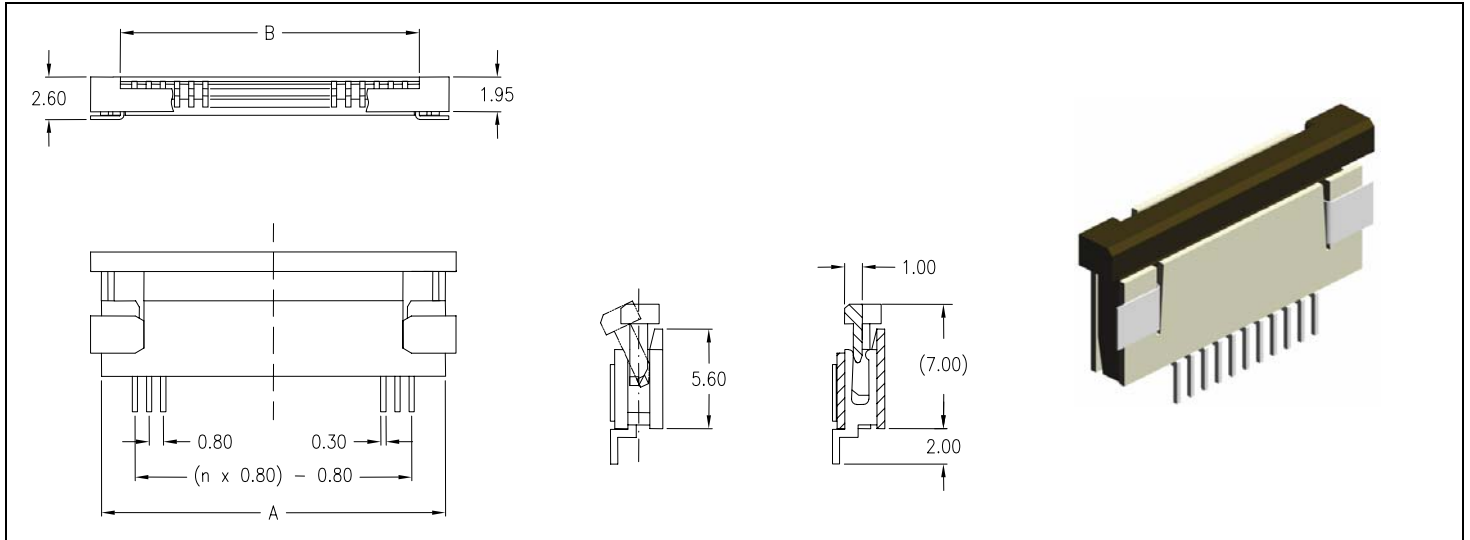


FFC/FPC Connector ZIF Type

- SMT - 0.80mm pitch horizontal



| SPECIFICATIONS | | | |
|----------------------------|----------------|------------------------|----------------------------------|
| Current rating | 0.5 A max. | Operating temperature | - 20° to +105°C |
| Insulator resistance | 100MΩ min. | Processing temperature | +245°C +0/-5°C for 5 sec. |
| Contact resistance | 20 mΩ max. | Contact material | Phosphor Bronze (RoHS compliant) |
| Dielectric withst. voltage | 500 V AC/1 Min | Contact plating | Tin (leadfree) |
| | | Insulator material | LCP UL 94 V-0 (RoHS compliant) |
| | | Actuator material | PPA UL 94 V-0 (RoHS compliant) |

| Dimensions (mm) | | | | | | | | | | | |
|-----------------|-------|------|----------|-------|-------|----------|-------|-------|----------|-------|-------|
| Contacts | A | B | Contacts | A | B | Contacts | A | B | Contacts | A | B |
| 004 | 9.50 | 4.84 | 011 | 15.10 | 10.44 | 018 | 20.70 | 16.04 | 025 | 26.30 | 21.64 |
| 005 | 10.30 | 5.64 | 012 | 15.90 | 11.24 | 019 | 21.50 | 16.84 | 026 | 27.10 | 22.44 |
| 006 | 11.10 | 6.44 | 013 | 16.70 | 12.04 | 020 | 22.30 | 17.64 | 027 | 27.90 | 23.24 |
| 007 | 11.90 | 7.24 | 014 | 17.50 | 12.84 | 021 | 23.10 | 18.44 | 028 | 28.70 | 24.04 |
| 008 | 12.70 | 8.04 | 015 | 18.30 | 13.64 | 022 | 23.90 | 19.24 | 029 | 29.50 | 24.84 |
| 009 | 13.50 | 8.84 | 016 | 19.10 | 14.44 | 023 | 24.70 | 20.04 | 030 | 30.30 | 25.64 |
| 010 | 14.30 | 9.64 | 017 | 19.90 | 15.24 | 024 | 25.50 | 20.84 | | | |

How to order

FCZ - xxx - H xxx - 99

