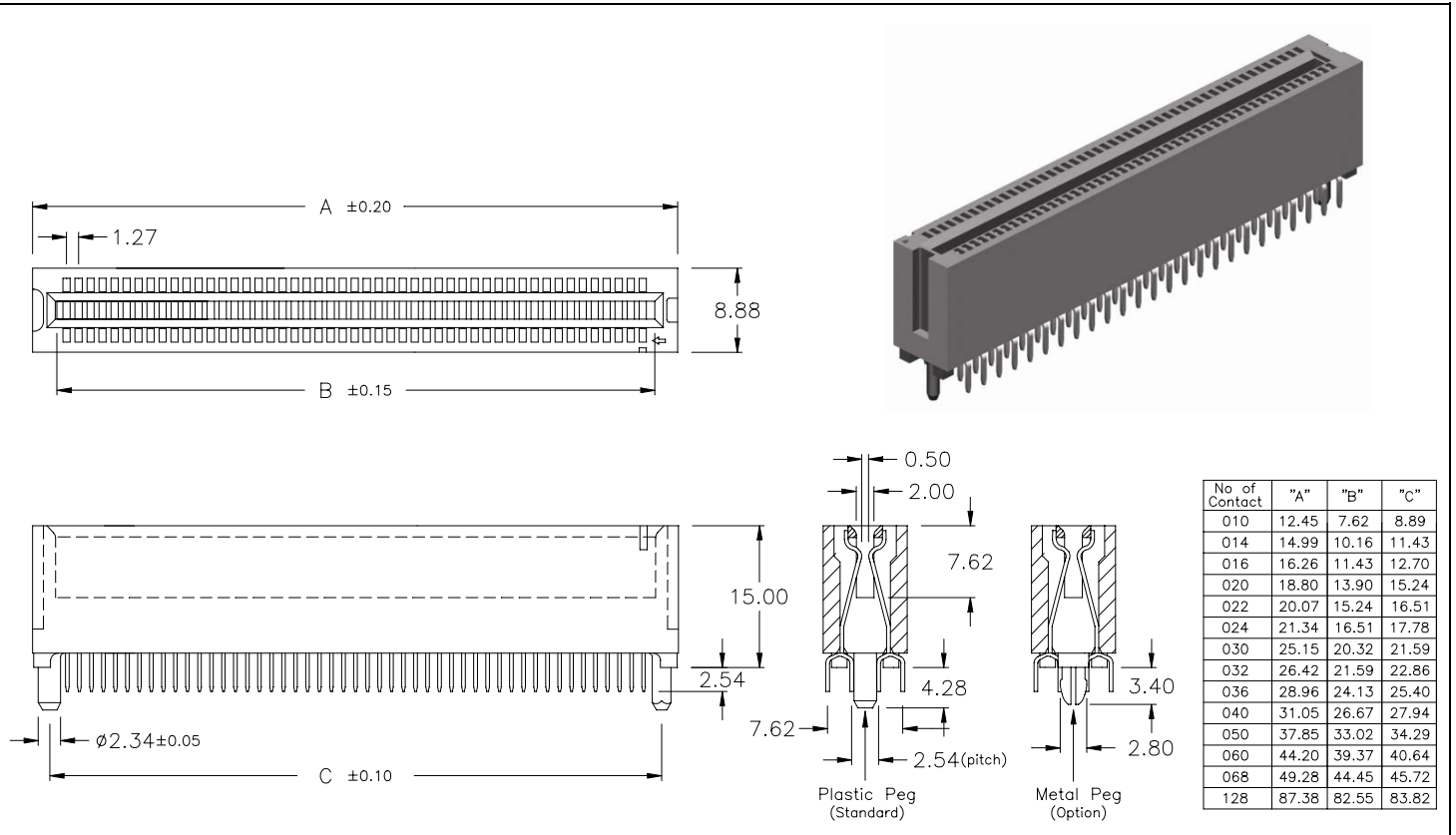


Card Edge Connector - THT -

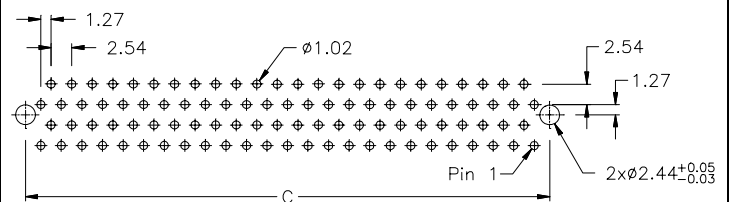
1.27mm pitch



APPLICATION AND FEATURES

Hi-rel dual beam contact assures reliable PC Board connections.
 Accepts PCB thickness of 1.57mm +/- 0.18
 1.27mm contact centre pitch.

PCB Hole Layout



SPECIFICATIONS

Current rating	1 A
Insulation resistance	1000 MΩ min.
Contact resistance	20 mΩ max.
Dielectric withstanding	AC 500 V
Capacitance	2pF max.
Voltage	125V

Operating temperature	- 40°C to +105°C
Contact material	Copper alloy (RoHS compliant)
Plating	Contact area – Au over Ni Solder tail area – Sn over Ni (tin leadfree)
Insulator material (brown colour)	PPS UL 94 V-0 (RoHS compliant)
Insertion force	530g max. per contact pair
Retention force	680g min. per contact pair

How to order

ECC - xxx - S050 - 95/ X

Nbr of contacts
010; 014; 016; 020; 022 024; 030; 032; 036; 040 050; 060; 068; 080; 120 others on request

Plating
95 = tin/gold (tin leadfree) others on request

Peg Option
N = metal peg plastic peg is standard; no Option suffix