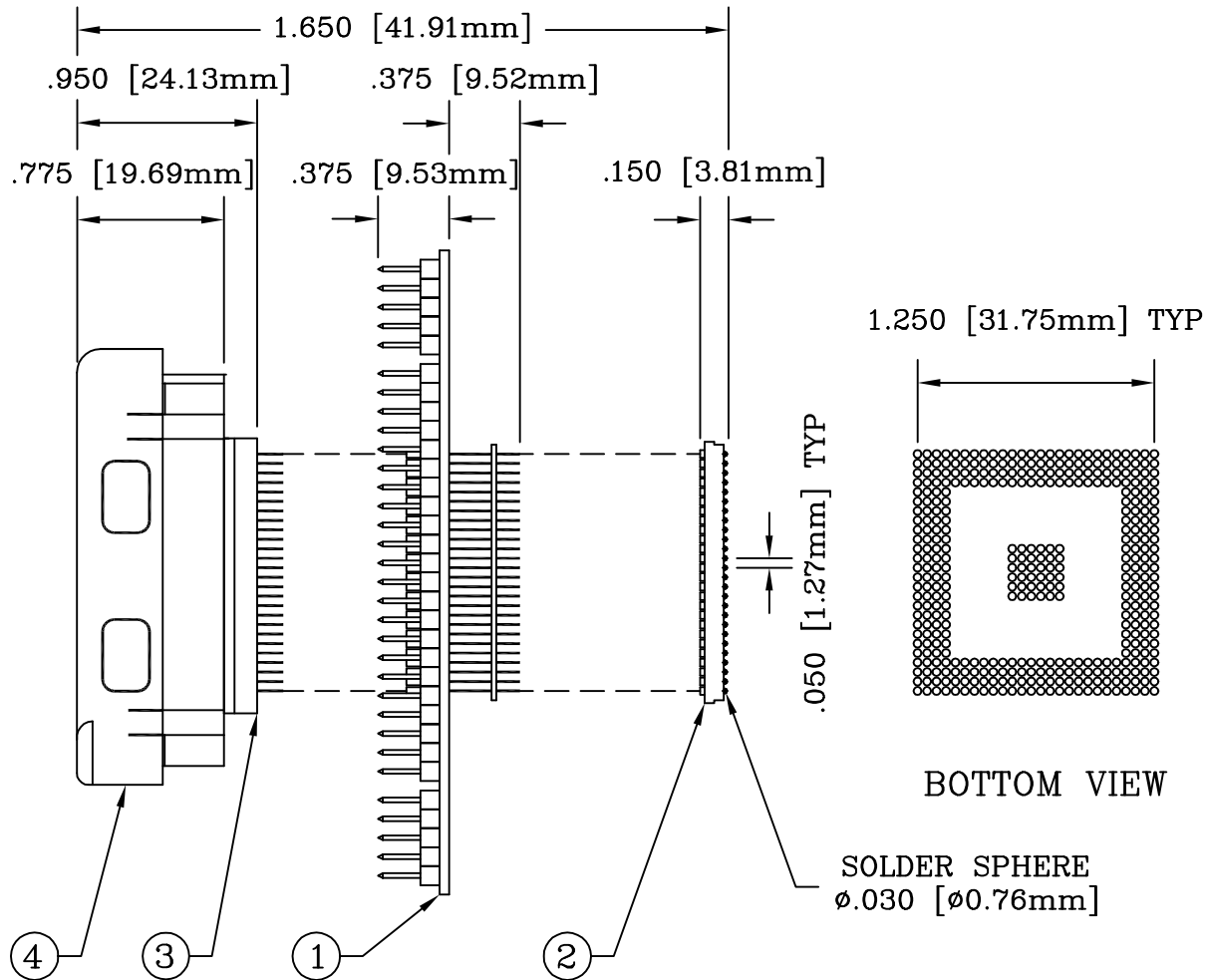
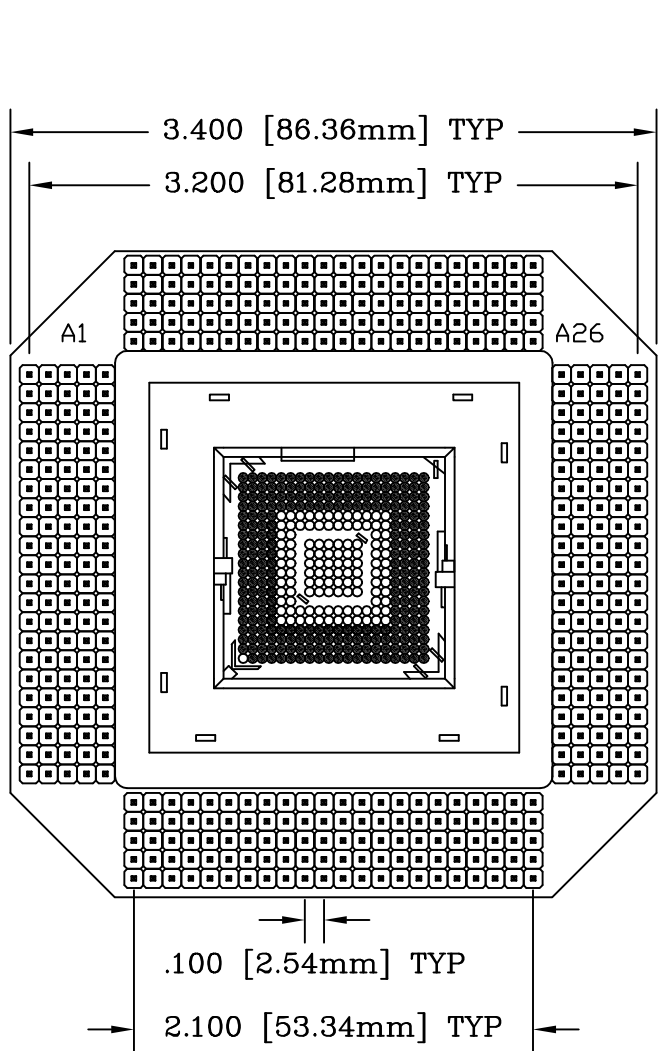
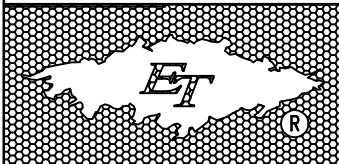


REV	DESCRIPTION	DATE	BY
A	NEW DRAWING	2/8/01	A.F.
B	UPDATED DRAWING & DIMS	05/30/01	H.N.
C	ADDED PIN MAP PAGE # 2	03/06/03	H.N.

F3727
DOD 33727



ALL DIMENSIONS ARE IN INCHES UNLESS OTHERWISE SPECIFIED



Emulation Technology, Inc.
— VLSI and SMT ADAPTERS and ACCESSORIES —
2344 Walsh Avenue, Bldg.F Santa Clara, Ca 95051
TEL:(408)982-0660 FAX:(408)982-0664

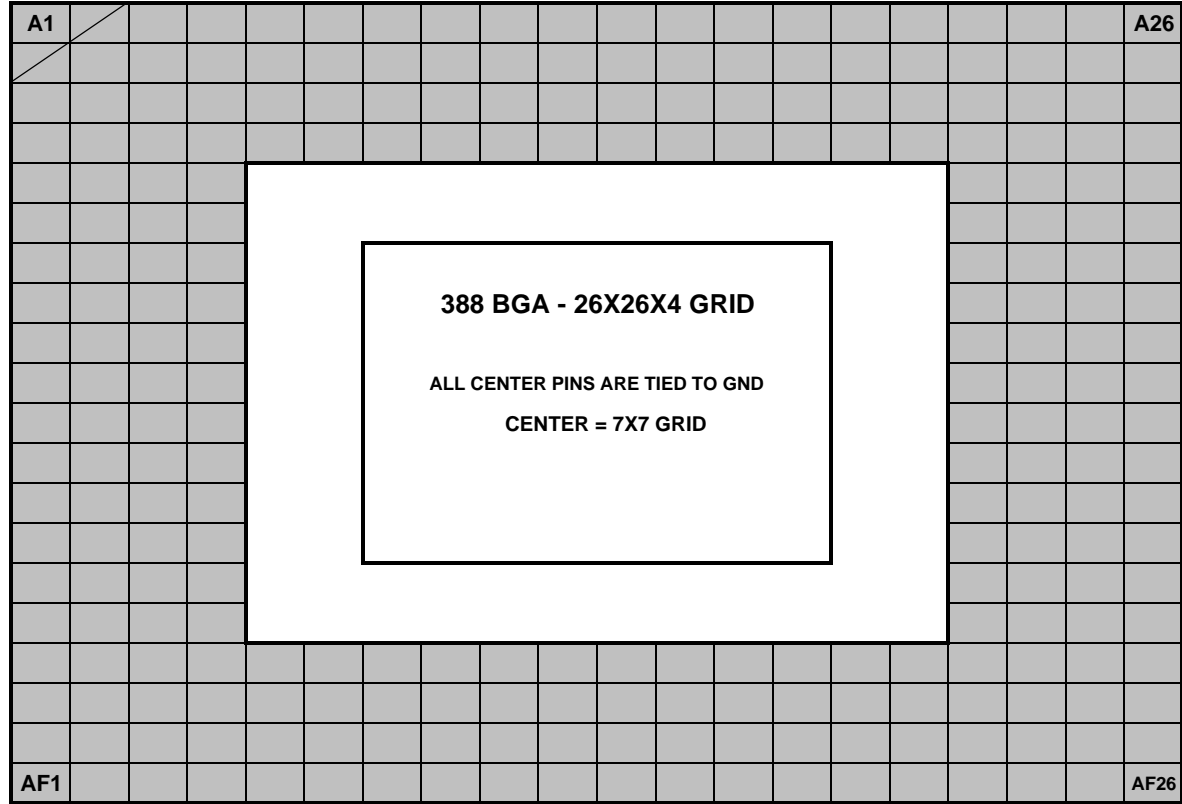
SHEET: 1 OF 2 DATE: 03/06/03 REVISION: C
CHECKED: Perry Munroe DRAWN: Huy Nguyen
Scale 1:1 DO NOT SCALE DRAWING

ASSEMBLY DRAWING
ITEM: BC-VI-2-26Z/2B
DESCRIPTION: BCP-0388-2BG026Z-0000-1-BL

NO.	ITEM	DESCRIPTION	QTY.
1	AX-388-2BG026Z	TOP SUB ASSEMBLY	1
2	BPE-388-2-026-B	BOTTOM SUB ASSEMBLY	1
3	SR-BGA-26-388-A	PLUG IN ON TOP OF #1	1
4	S-BGA-26-388-A	PLUG IN ON TOP OF #3	1

A5	A6	A7	A8	A9	A10	A11	A12	A13	A14	A15	A16	A17	A18	A19	A20	A21	A22	A23	A24	A25	A26
A2	A3	A4	B7	B8	B9	B10	B11	B12	B13	B14	B15	B16	B17	B18	B19	B20	B21	B22	B23	B24	B25
GND	GND	GND	GND	GND	GND	GND	GND	GND	GND	GND	GND	GND	GND	GND	GND	GND	GND	GND	GND	GND	GND
B3	B4	B5	B6	C7	C8	C9	C10	C11	C12	C13	C14	C15	C16	C17	C18	C19	C20	C21	C22	C23	C24
C4	C5	C6	D5	D6	D7	D8	D9	D10	D11	D12	D13	D14	D15	D16	D17	D18	D19	D20	D21	D22	D23

A1	B2	GND	C3	D4
B1	C2	GND	D3	E4
C1	D2	GND	E3	F4
D1	E2	GND	F3	G4
E1	F2	GND	G3	H4
F1	G2	GND	H3	J4
G1	H2	GND	J3	K4
H1	J2	GND	K3	L4
J1	K2	GND	L3	M4
K1	L2	GND	M3	N4
L1	M2	GND	N3	P4
M1	N2	GND	P3	R4
N1	P2	GND	R3	T4
P1	R2	GND	T3	U4
R1	T2	GND	U3	V4
T1	U2	GND	V3	W4
U1	V2	GND	W3	Y4
V1	W2	GND	Y3	AA4
W1	Y2	GND	AA2	AB4
Y1	AC1	GND	AB2	AA3
AA1	AD1	GND	AC2	AB3
AB1	AE1	GND	AD2	AC3



D24	C25	GND	B26	E26
E24	D25	GND	C26	F26
F24	E25	GND	D26	G26
E23	F25	GND	G25	H26
F23	G24	GND	H25	J26
G23	H24	GND	J25	K26
H23	J24	GND	K25	L26
J23	K24	GND	L25	M26
K23	L24	GND	M25	N26
L23	M24	GND	N25	P26
M23	N24	GND	P25	R26
N23	P24	GND	R25	T26
P23	R24	GND	T25	U26
R23	T24	GND	U25	V26
T23	U24	GND	V25	W26
U23	V24	GND	W25	Y26
V23	W24	GND	Y25	AA26
W23	Y24	GND	AA25	AB26
Y23	AA24	GND	AB25	AC26
AA23	AB24	GND	AC25	AD26
AB23	AC24	GND	AD25	AE26
AC23	AD24	GND	AE25	AF26

AC4	AC5	AC6	AC7	AC8	AC9	AC10	AC11	AC12	AC13	AC14	AC15	AC16	AC17	AC18	AC19	AC20	AC21	AC22	AD21	AD22	AD23
AD3	AD4	AD5	AD6	AD7	AD8	AD9	AD10	AD11	AD12	AD13	AD14	AD15	AD16	AD17	AD18	AD19	AD20	AE21	AE22	AE23	AE24
GND	GND	GND	GND	GND	GND	GND	GND	GND	GND	GND	GND	GND	GND	GND	GND	GND	GND	GND	GND	GND	GND
AE2	AE3	AE4	AE5	AE6	AE7	AE8	AE9	AE10	AE11	AE12	AE13	AE14	AE15	AE16	AE17	AE18	AE19	AE20	AF23	AF24	AF25
AF1	AF2	AF3	AF4	AF5	AF6	AF7	AF8	AF9	AF10	AF11	AF12	AF13	AF14	AF15	AF16	AF17	AF18	AF19	AF20	AF21	AF22