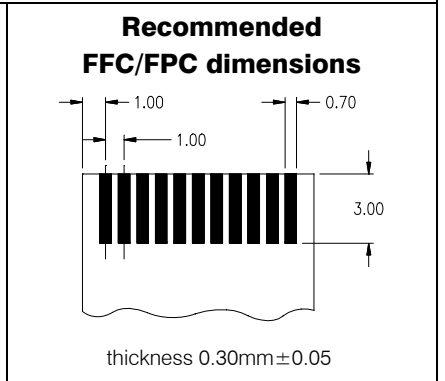
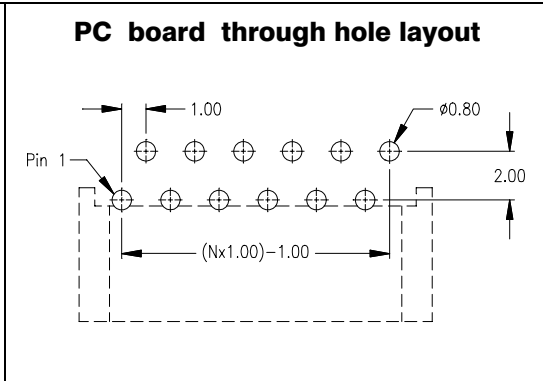
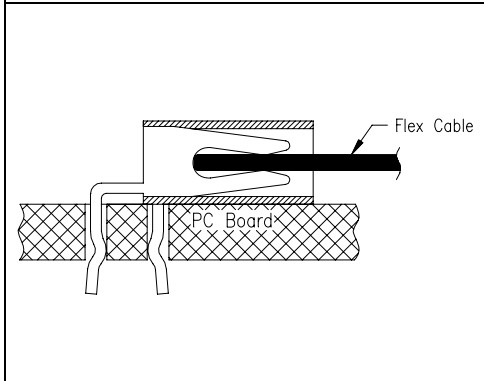
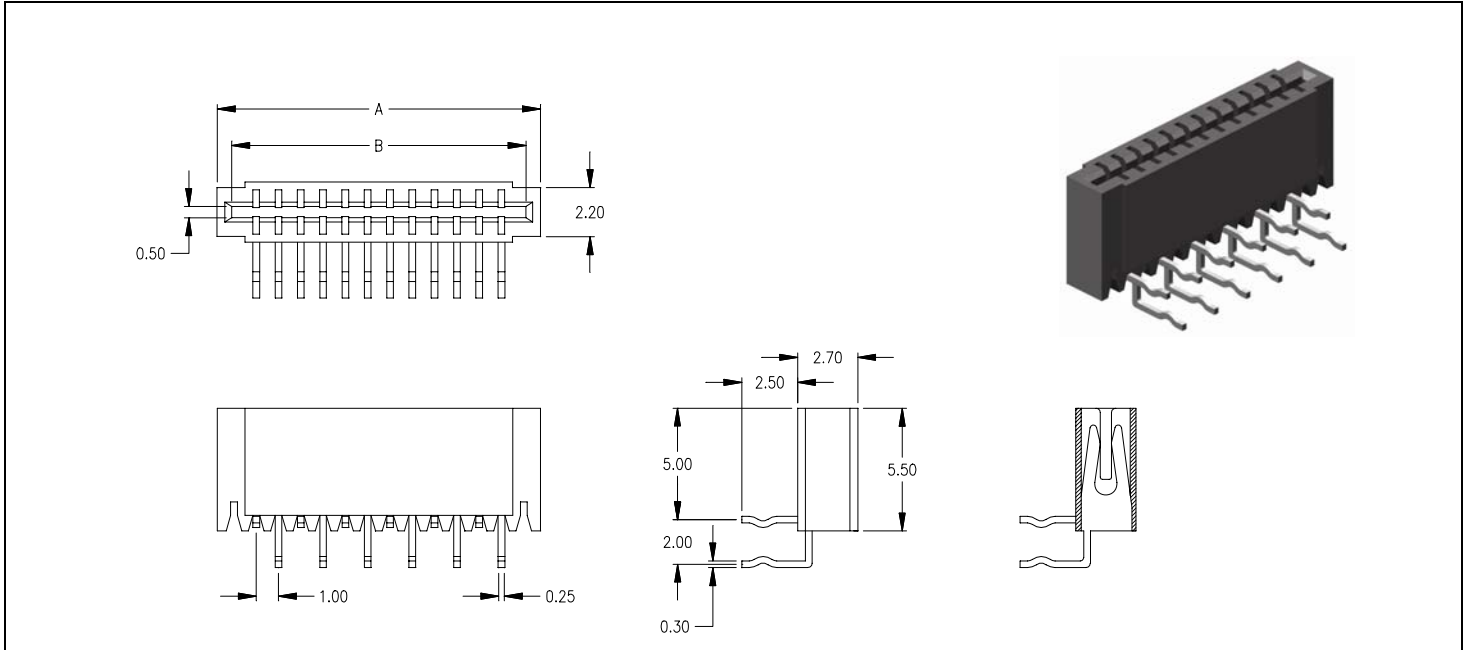


FFC/FPC Connector LIF Type

- THT - 1.00mm pitch right angle



SPECIFICATIONS

Current rating	0.5 A max.	Operating temperature	- 40° to +105°C
Insulator resistance	100MΩ min.	Contact material	(RoHS compliant) Phosphor Bronze
Contact resistance	20 mΩ max.	Contact plating	Tin (leadfree)
Dielectric withstanding voltage	500 V AC/1 Min	Insulator material	(RoHS compliant) P.B.T. UL 94 V-0

Dimensions (mm)

Contacts	A	B	Contacts	A	B	Contacts	A	B	Contacts	A	B
004	6.50	5.20	012	14.50	13.20	020	22.50	21.20	028	30.50	29.20
005	7.50	6.20	013	15.50	14.20	021	23.50	22.20	029	31.50	30.20
006	8.50	7.20	014	16.50	15.20	022	24.50	23.20	030	32.50	31.20
007	9.50	8.20	015	17.50	16.20	023	25.50	24.20	031	33.50	32.20
008	10.50	9.20	016	18.50	17.20	024	26.50	25.20	032	34.50	33.20
009	11.50	10.20	017	19.50	18.20	025	27.50	26.20			
010	12.50	11.20	018	20.50	19.20	026	28.50	27.20			
011	13.50	12.20	019	21.50	20.20	027	29.50	28.20			

How to order

FCL - xxx - R100 - 99

