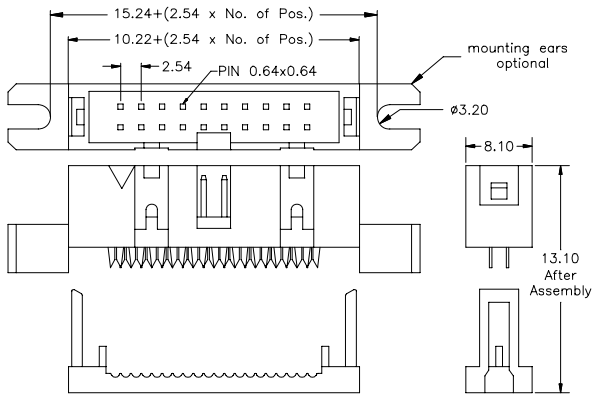
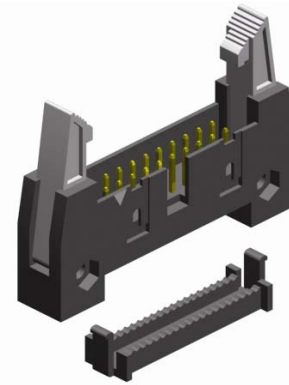
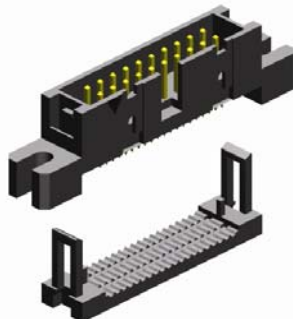
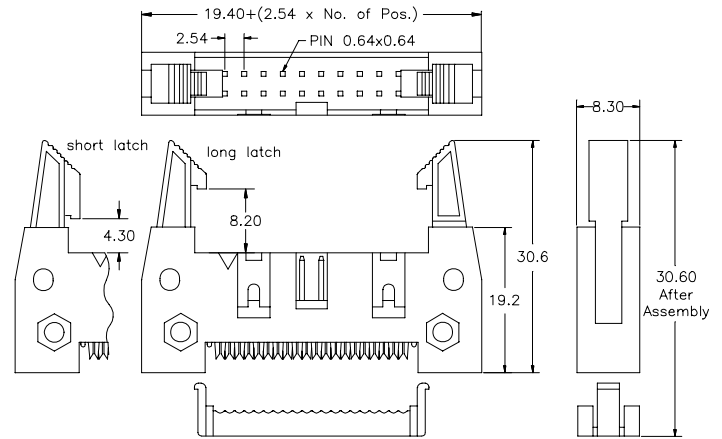


2.54mm pitch

IDC Shrouded Header



IDH Type



IDD Type

**SPECIFICATIONS**

Current rating	3 A	Operating temperature	- 40° to +105°C
Insulator resistance	5000 MΩ min.	Contact material	(RoHS compliant) Phosphor bronze
Contact resistance	20 mΩ max.	Insulator material	(RoHS compliant) P.B.T. UL 94 V-0
Dielectric withstanding	AC 500 V		

**APPLICATION AND FEATURES**

Designed to mate with 2.54mm IDC female headers.  
 Header type is available with or without mounting ears.  
 DIN Header type is available with long & short eject latches.

How to order

ID X - xxx - X 100 - 95

Types	
<b>H</b>	= Header
<b>D</b>	= DIN Header (DIN 41 651)

Nbr of contacts	
<b>010; 014; 016; 020</b>	
<b>024</b>	(only available for IDD Type)
<b>026; 030; 034; 040</b>	
<b>050; 060; 064</b>	

Executions	
IDH	<b>W</b> = w/o ears
	<b>E</b> = with ears
IDD	<b>L</b> = long latch
	<b>S</b> = short latch

Plating	
<b>95</b>	= tin/gold (tin leadfree)
others on request	