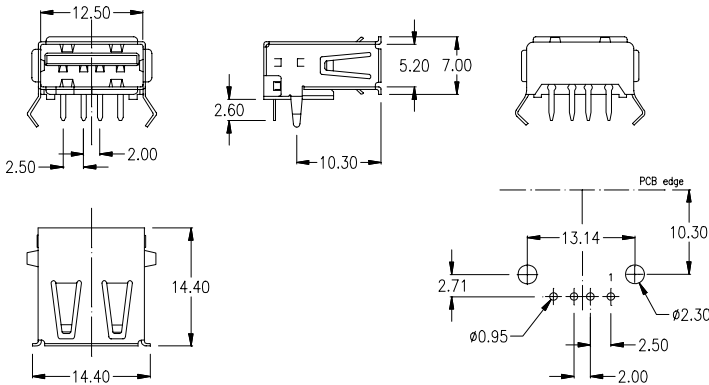
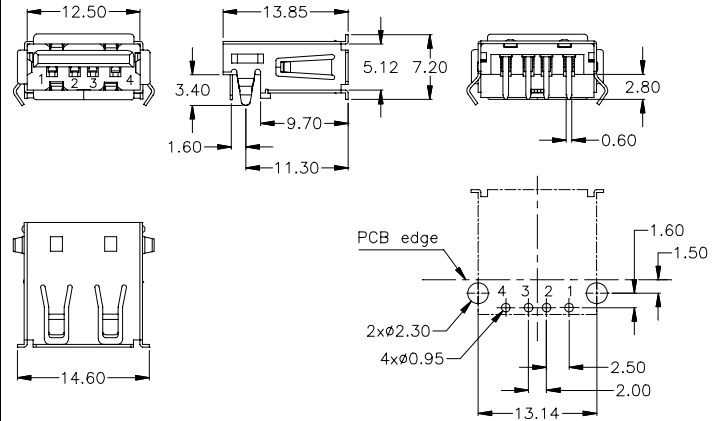


**single port right angle; soldertail**



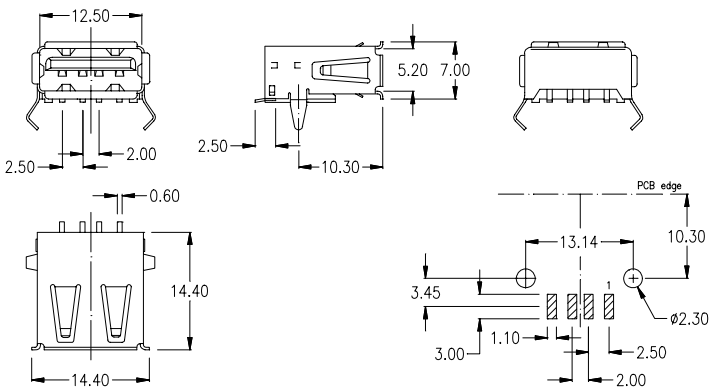
ORDER CODE: **USS - W04 - RA01 - 95** (- B04 - if black housing)

**“low profile” single port right angle; soldertail**



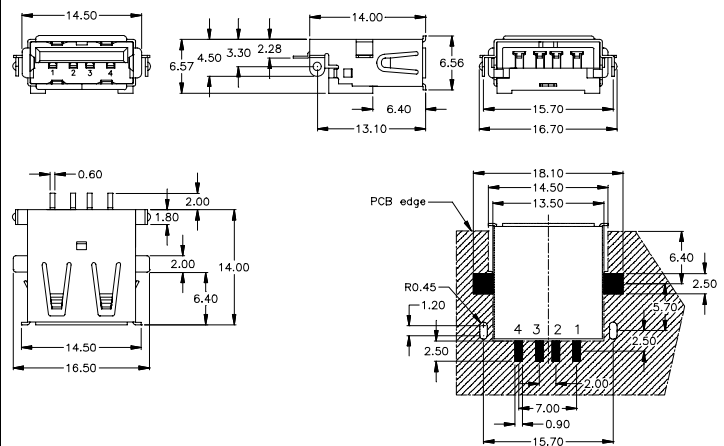
ORDER CODE: **ULS - W04 - RA01 - 95** (- B04 - if black housing)

**single port right angle; SMT**



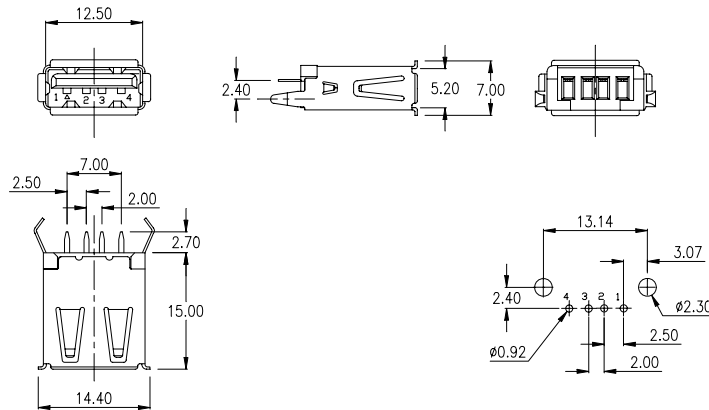
ORDER CODE: **USS - W04 - SA01 - 95** (- B04 - if black housing)

**“low profile” single port right angle; SMT**



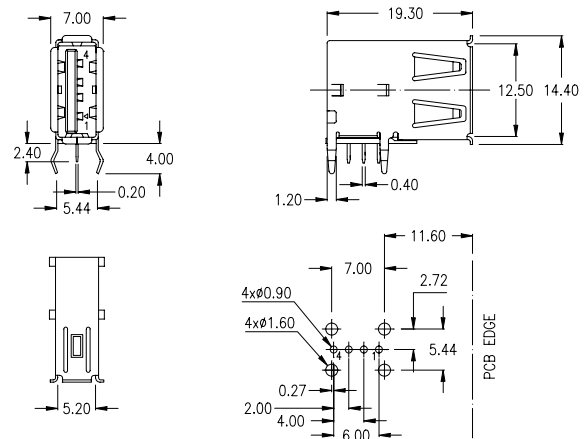
ORDER CODE: **ULS - W04 - SA11 - 95** (- B04 - if black housing)

**single port top entry; soldertail**



ORDER CODE: **USS - W04 - TA01 - 95** (- B04 - if black housing)

**single port vertical; soldertail „one line foot”**



ORDER CODE: **USS - W04 - VA11 - 95** (- B04 - if black housing)

**Specification**

**Material**

Contact	(RoHS compliant)	Phosphor bronze
Plating:		
Contact area		gold
Solder area		tin (leadfree)
Housing	(RoHS compliant)	PBT white UL 94-V0 (PBT black on request)
SMT housing	(RoHS compliant)	Nylon PA66 UL 94-V0
Shell	(RoHS compliant)	brass, tin (leadfree) or nickel plated
<b>Mechanical</b>		
Mating cycles		1.500 min.

**Electrical**

Current rating	1,5 A max. 1 Contact (Signal only)
Voltage rating	30V AC (rms)
Withstanding voltage	750V AC (rms) 1 Minute
Insulation resistance	1.000MΩ min. (500V DC)
Contact resistance	30mΩ max.

**Others**

Operating temperature	-30° C to +75° C
Processing temp. for SMT type	+230° C for 30 sec. max. +260° C for 10 sec. max.