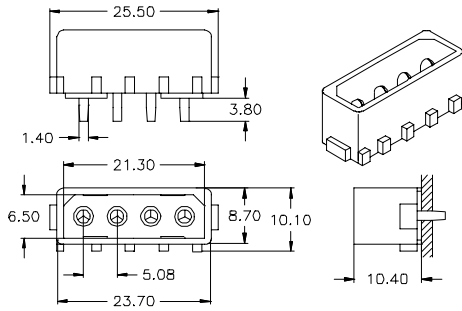




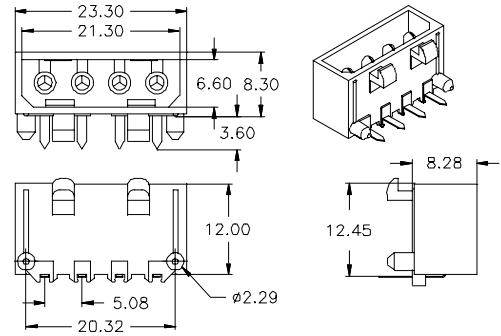
4 Contact Male - Through Board Solder Types

Straight "T" type

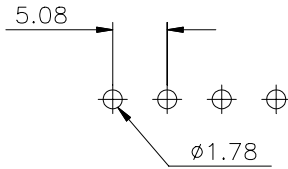


Order Code : **PCS - 104 - T508 - 00**

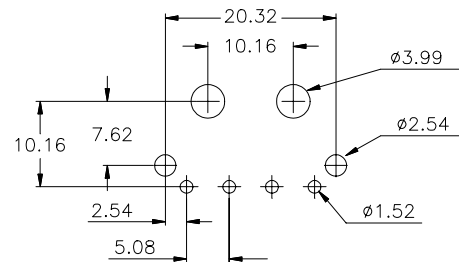
Right angle "T" type



Order Code : **PCR - 104 - T508 - 00**



PCB Layout



PCB Layout

Specifications

Current rating	7 A	Contact resistance	20 mΩ max.	Contact material	Copper alloy
Insulator resistance	1000 MΩ min.	Dielectric withstanding	AC 1500 V	Insulator material	Nylon UL 94 V-0
Voltage rating	250 V AC max.	Operating temp.	-25° to + 90°C	PCB Thickness	1.6mm (.063")

How to order

PC **X** - 104 - T 508 - **99**

Type
R = right angle type
S = straight type

Plating
99 = tin (leadfree)