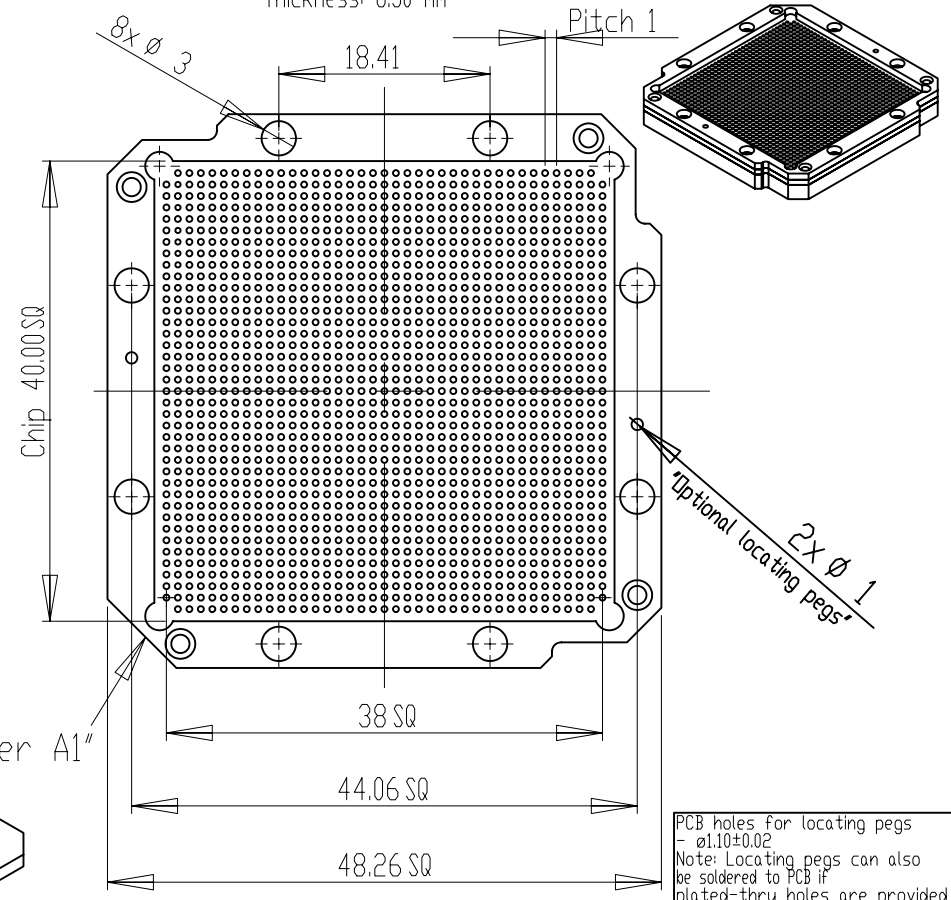
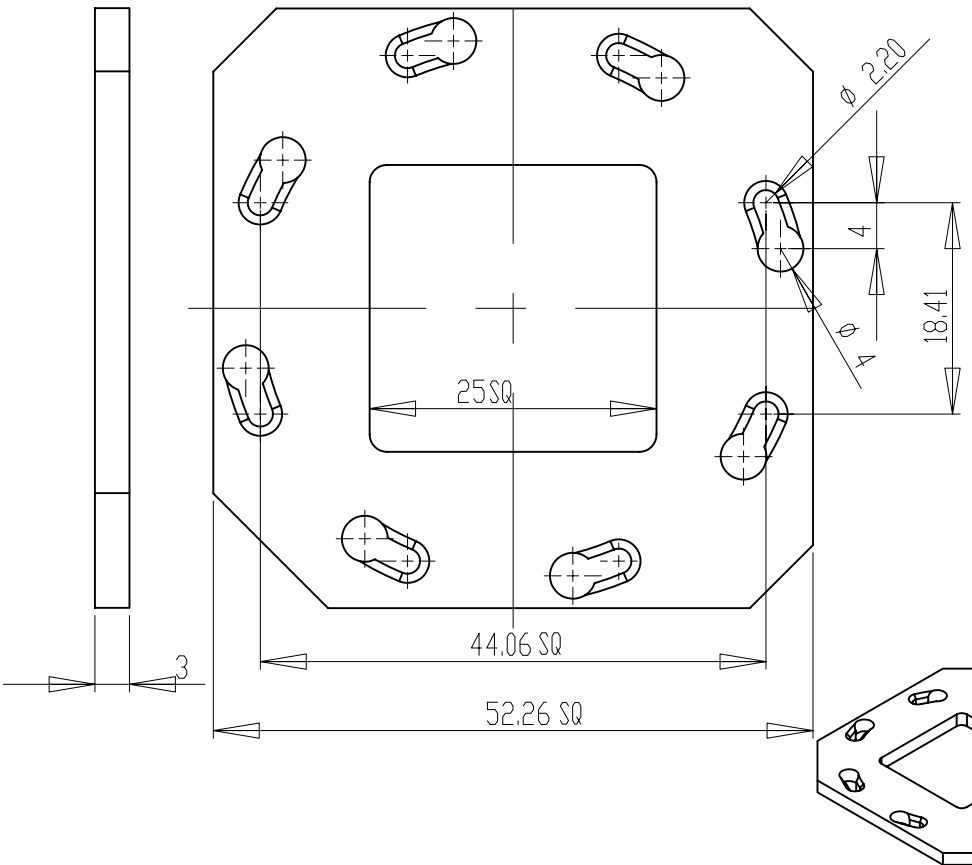


REV	DESCRIPTION	DATE	BY
A	NEW DRAWING	06/28/07	H.N.

SKT2948

Retention frame
Material: Epoxy FR4

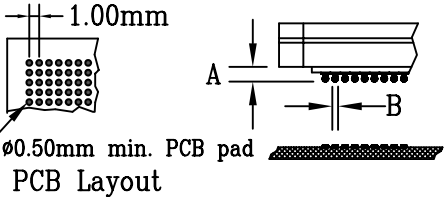
Socket
Material: TG 200
Thickness: 6.50 mm



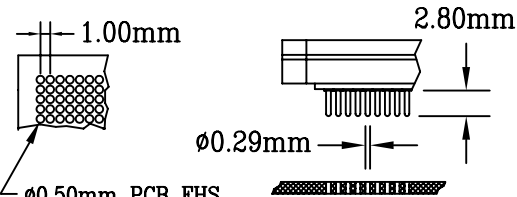
PCB holes for locating pegs - $\phi 1.10 \pm 0.02$
Note: Locating pegs can also be soldered to PCB if plated-thru holes are provided

RECOMMENDED PAD LAYOUT

SURFACE MOUNT STYLE		
REGULAR SMT STYLE XX = SM YY = 30	RAISED SMT STYLE XX = SR YY = 29	SPECIAL RAISED SMT STYLE XX = SC YY = 28



SOLDERTAIL = THRU HOLE STYLE	
XX = ET	YY = 70



28= Special raised SMT: A = 4.50mm; B= 0.37mm
29= raised SMT: A = 3.20mm; B= 0.37mm
30= standard SMT: A = 0.80mm; B= 0.37mm

PACKAGE SPECIFICATIONS

PIN COUNT	= 1517
LEAD PITCH	= 1.00mm
GRID SIZE	= 39X39
PACKAGE SIZE	= 40.00mm SQ

UNLESS OTHERWISE SPECIFIED:
DIMENSIONS ARE IN MILLIMETERS
SURFACE FINISH:
GENERAL TOLERANCES: ± 0.10
LINEAR:
ANGULAR:

ALL DIMENSIONS ARE IN MILLIMETERS UNLESS OTHERWISE SPECIFIED

Emulation Technology, Inc.
— VLSI and SMT ADAPTERS and ACCESSORIES —
2344 Walsh Avenue, Bldg.F Santa Clara, Ca 95051
TEL:(408)982-0660 FAX:(408)982-0664

SHEET: 1 OF 1	DATE: 06/28/07	REVISION: A	ASSEMBLY DRAWING
CHECKED:	DRAWN: H.N.	ITEM: S-MLG-39-1517XX	
Scale N/A DO NOT SCALE DRAWING			DESCRIPTION: LPW-1517-3BG039-YY

All Dimensions Are Nominal For A 1.00mm Pitch BGA Package