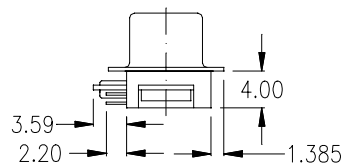
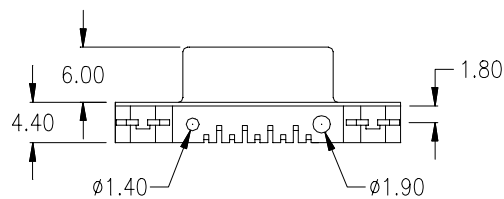
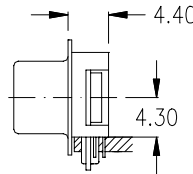
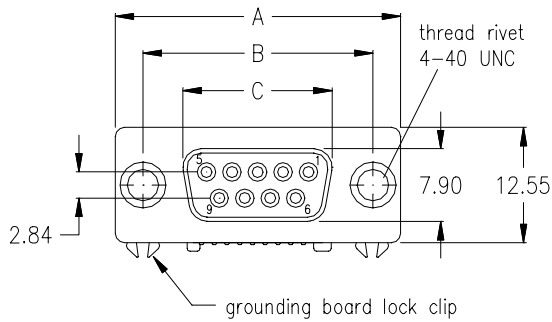


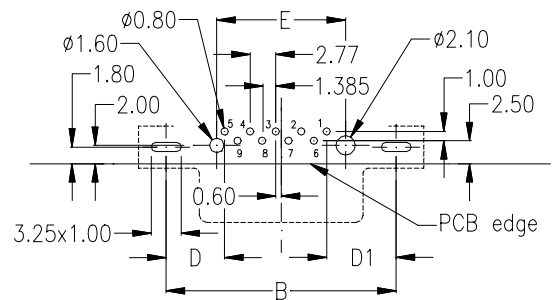


female



for technical & electrical specification please go to page 72

PCB hole layout



Option:

Jack Screw has to be ordered separately. See page 70

Ordering Code

for "Wave Solder" Technology

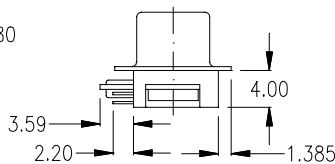
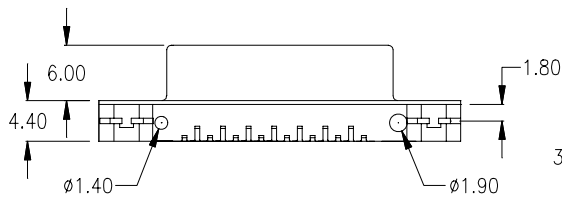
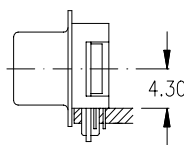
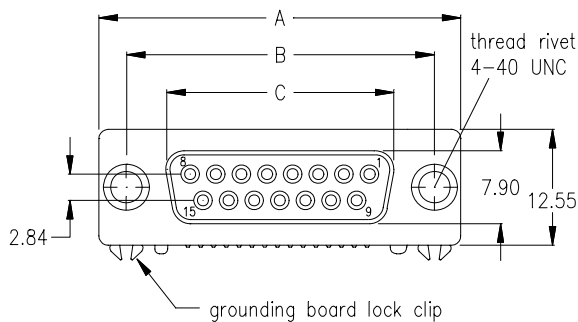
SDF - 009 - US91 - 95 / N

for "Pin-In-Paste" Technology

SDF - 009 - US91 - 95 / SN

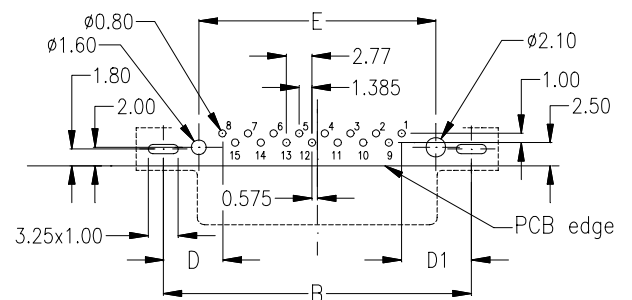
No. of contacts	Dimension					
	A	B	C	D	D1	E
009	30.81 1.213	24.99 .984	16.33 .643	6.36 .250	7.56 .298	14.00 .551

female



for technical & electrical specification please go to page 72

PCB hole layout



Option:

Jack Screw has to be ordered separately. See page 70

Ordering Code

for "Wave Solder" Technology

SDF - 015 - US91 - 95 / N

for "Pin-In-Paste" Technology

SDF - 015 - US91 - 95 / SN

No. of contacts	Dimension					
	A	B	C	D	D1	E
015	39.14 1.541	33.32 1.312	24.66 .971	6.39 .252	7.54 .297	25.64 1.009