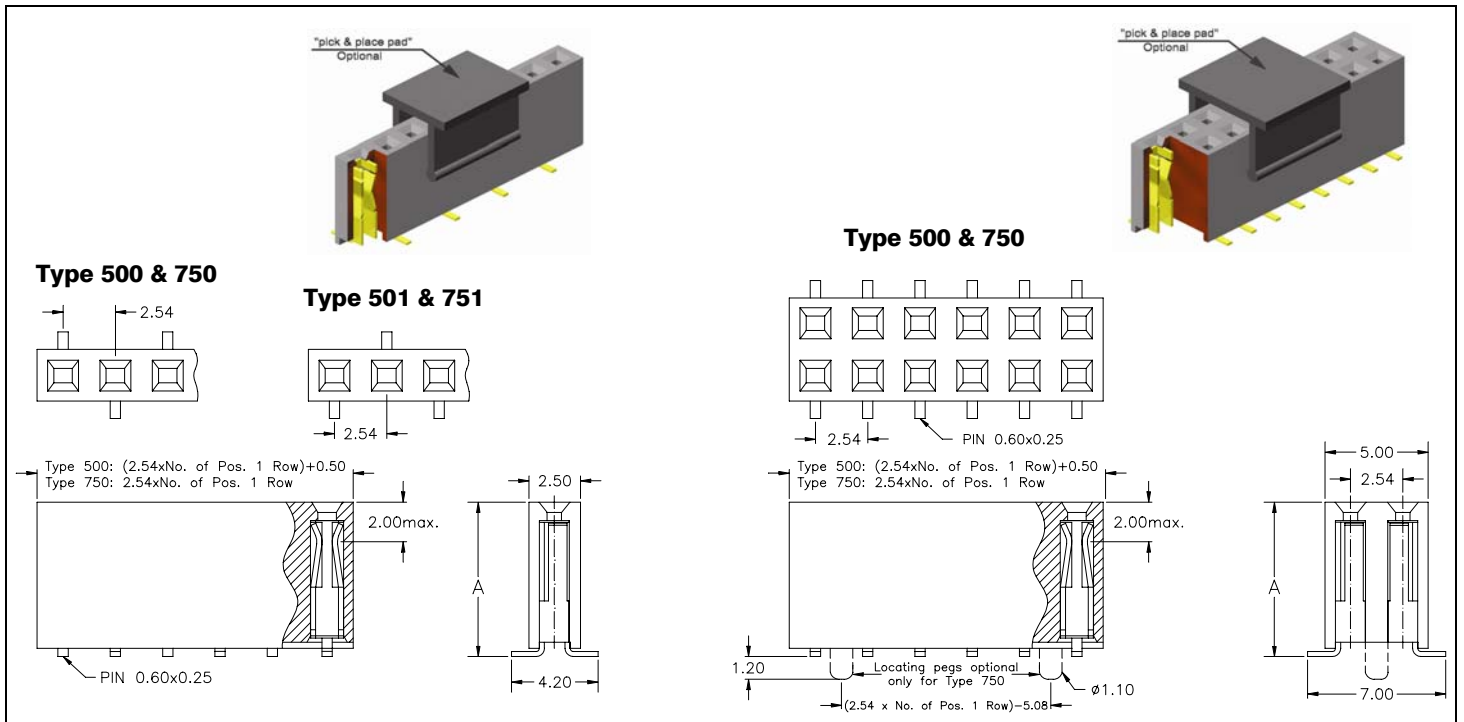


2.54mm pitch Female Header - SMT - Top & Bottom Entry 7.50mm & 5.00mm profile



APPLICATION AND FEATURES

- **Standard: tube packing and without "pick & place pad"**
- 5.00mm & 7.50mm height above board. Hi-rel dual beam contacts.
- Mating with 2.54mm pitch, 0.64mm sq. or round pin headers.

PCB Surface Mount & Hole Layout

Type 500 & 750

Type 501 & 751

Type 500 & 750

SPECIFICATIONS			
Current rating	3 A	Operating temperature	- 40° to +105°C
Insulator resistance	5000 MΩ min.	Processing temperature	+250°C +0/-5°C for 5sec.
Contact resistance	20 mΩ max.	Contact material	Phosphor Bronze (RoHS compliant)
Dielectric withstanding	500 V AC	Insulator material	Nylon UL 94 V-0 (RoHS compliant)

How to order

BS x - xxx - H xxx - 55 / X

Rows	Nbr of contacts	Type	Plating	Packing and "pick & place pad" Option
1 single row	single row 002 to 040	500 DIM "A" = 5.00mm 501 (optional foot layout) 750 DIM "A" = 7.50mm 751 (optional foot layout)	gold	A = tube packing and pick & place pad B = reel packing and pick & place pad
2 dual row	dual row 004 to 080	500 DIM "A" = 5.00mm not available with locating pegs! 750 DIM "A" = 7.50mm	gold	A = tube packing and pick & place pad B = reel packing and pick & place pad C = locating pegs and tube packing D = locating pegs; tube packing; pick & place pad E = locating pegs; reel packing; pick & place pad