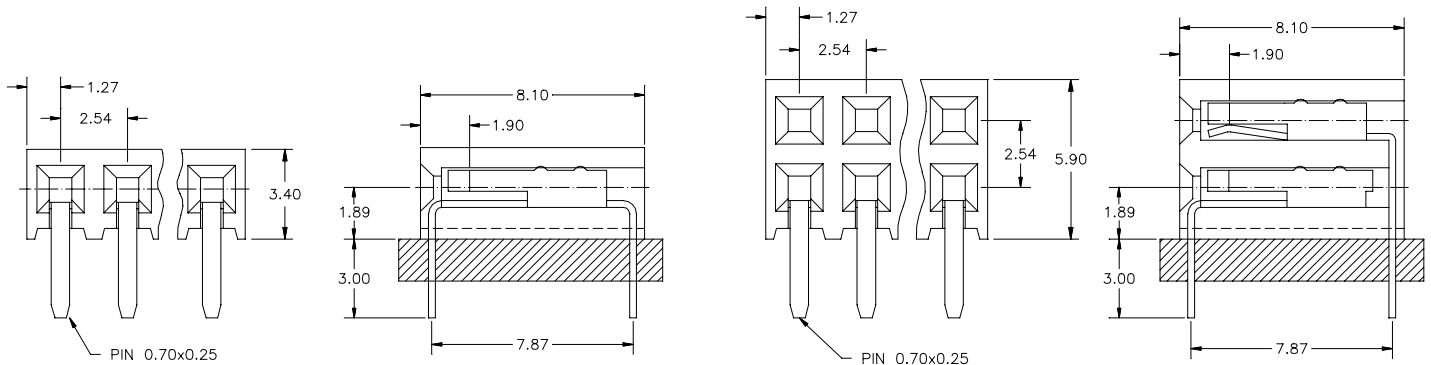
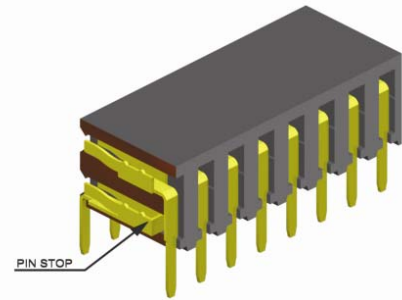
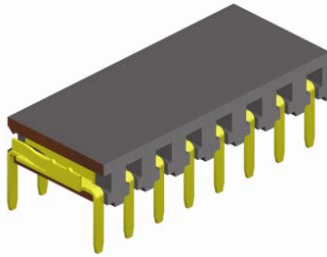


2.54mm pitch Female Header

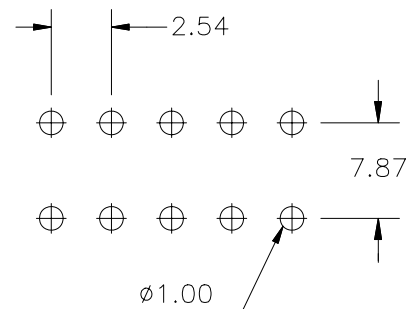
- THT - side entry type



**APPLICATION AND FEATURES**

- Hi-rel dual beam contact assures reliable PC-board connections
- Accepts 0.64mm square pins
- Stand-off's facilitate post solder cleaning
- 3.40mm and 5.65mm height above board

**PCB Hole Layout**



**SPECIFICATIONS**

Current rating	3 A
Insulator resistance	5000 M $\Omega$ min.
Contact resistance	20 m $\Omega$ max.
Dielectric withstanding	AC 500 V

Operating temperature	- 40° to + 105°C
Contact material	(RoHS compliant)
Insulator material (RoHS compliant)	P.B.T. UL 94 V-0

How to order

BH x - xxx - R850 - 55

