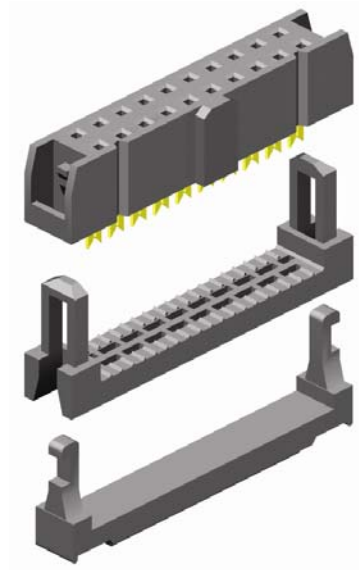
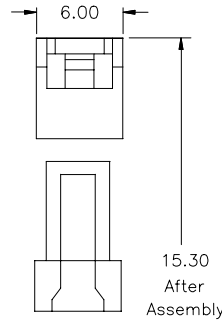
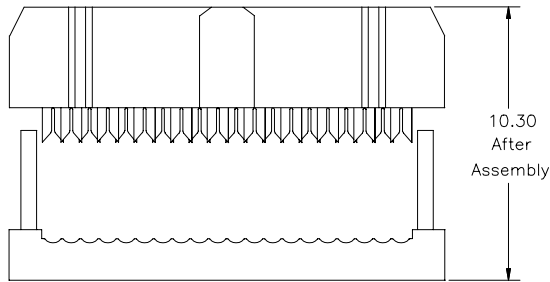
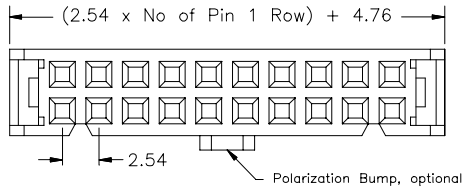


2,54mm pitch

IDC – Female Connector



**SPECIFICATIONS**

Current rating	3 A	Operating temperature	- 40° to +105°C
Insulator resistance	5000 MΩ min.	Contact material (RoHS compliant)	Brass
Contact resistance	20 mΩ max.	Plating	Nickel; Gold on mating area
Dielectric withstanding voltage	AC 500 V	Insulator material (RoHS compliant)	P.B.T. UL 94 V-0

**APPLICATION AND FEATURES**

Designed to mate with 0.64mm square pins  
box (shrouded) header page 63, 64, 65 & 78 in this catalog.

High Quality contacts

Accepts 28 AWG 1,27mm flat ribbon cable.

How to order

IDS - xxx - X 100 - N5 (/ P)

Nbr of contacts
006; 008; 010; 012 014; 016; 018; 020 024; 026; 030; 034 036; 040; 050; 060 064

Strain relief
<b>S</b> = With <b>W</b> = Without

Option
<b>P</b> Polarization bump